

# HARDWARE LIST

Key	Description	Picture	Qty
A	Caster Pin		1
B	1/4"-20UNC×13 Screw		25
C	#8X3/8" Tapping Screw		5
D	NO.10-24UNC×13 Screw		17
E	NO.10-24UNC Nut		1
F	1/4"×18 Screw Assy		2
G	Ø6.5 Al Washer		6
H	Ø5 Lock Washer		4
J	Ø5 Washer		4
K	Hose clip		1
L	1/4"-20UNC Nut		1

# PARTS LIST FOR 468514322B1, 468163322B1

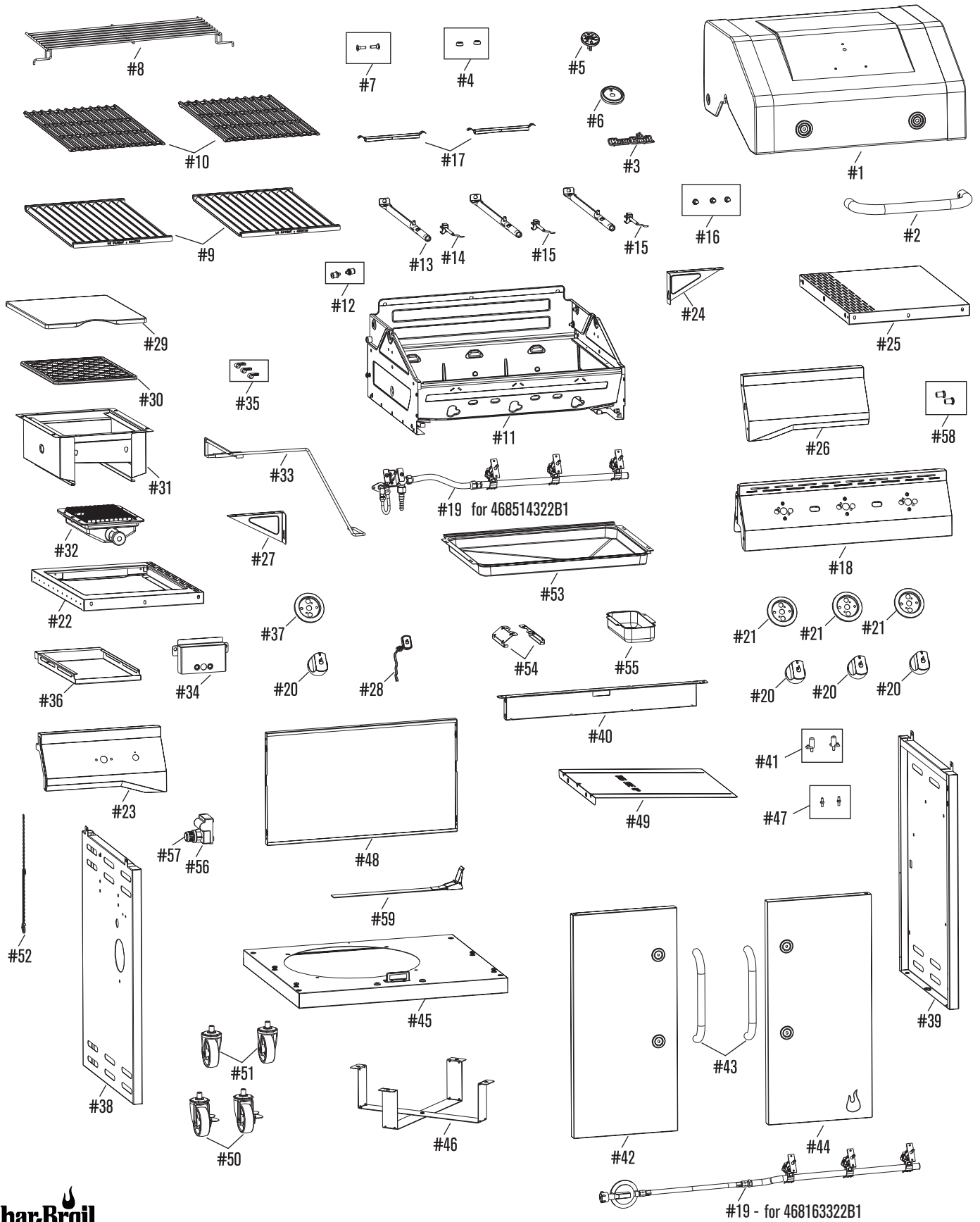
Key	Qty	Description
1	1	TOP LID
2	1	HANDLE F/ LID
3	1	LOGO PLATE
4	2	RUBBER BUMPER, F/ TOP LID
5	1	TEMPERATURE GAUGE
6	1	BEZEL, F/ TEMPERATURE GAUGE
7	1	TOP LID HARDWARE
8	1	WARMING RACK
9	2	EMITTER, F/ COOKING GRATE, 180
10	2	COOKING GRATE, 180
11	1	FIREBOX
12	2	LID STOP
13	3	MAIN BURNER
14	1	ELECTRODE, F/ MAIN BURNER
15	2	ELECTRODE SET, F/ MAIN BURNER, 500MM WIRE
16	3	BURNER BRACE
17	2	CARRY OVER TUBE
18	1	CONTROL PANEL
19	1	VALVE ASSEMBLY
20	4	CONTROL KNOB
21	3	BEZEL F/ CONTROL KNOB
22	1	SEAR HOT PLATE SHELF
23	1	FASCIA, F/ HOT PLATE SHELF
24	1	SHELF SUPPORT, RIGHT
25	1	RIGHT SIDE SHELF
26	1	FASCIA, F/ RIGHT SHELF
27	1	SHELF SUPPORT, LEFT
28	1	IGNITER SWITCH MODULE
29	1	LID, F/ SEAR HOT PLATE
30	1	GRATE, F/ SEAR HOT PLATE
31	1	FIREBOX, F/ SEAR HOT PLATE
32	1	SEAR HOT PLATE
33	1	ELECTRODE, F/ SEAR HOT PLATE
34	1	HOT PLATE VALVE BRACKET
35	3	WIRE CLIP

Key	Qty	Description
36	1	GREASE TRAY, F/ SEAR HOT PLATE
37	1	BEZEL, F/ HOT PLATE
38	1	LEFT CART PANEL
39	1	RIGHT CART PANEL
40	1	UPPER DOOR BRACE
41	2	SPRING PIN, F/ DOOR
42	1	LEFT DOOR, NO HANDLE
43	2	HANDLE, F/ DOOR
44	1	RIGHT DOOR, NO HANDLE
45	1	BOTTOM SHELF
46	2	TANK SUPPORT
47	2	FIXED PIN, F/ DOOR
48	1	REAR PANEL
49	1	HEAT SHIELD, F/ TANK
50	2	CASTER, LOCKING
51	2	CASTER, FIXED
52	1	MATCH HOLDER
53	1	GREASE TRAY
54	2	GREASE TRAY BRACKET
55	1	GREASE PAN
56	1	ELECTRONIC IGNITION MODULE
57	1	CAP, F/ EI MODULE
58	2	TOOL HOLDER
59	1	TANK HOLD STRAP

## NOT Pictured

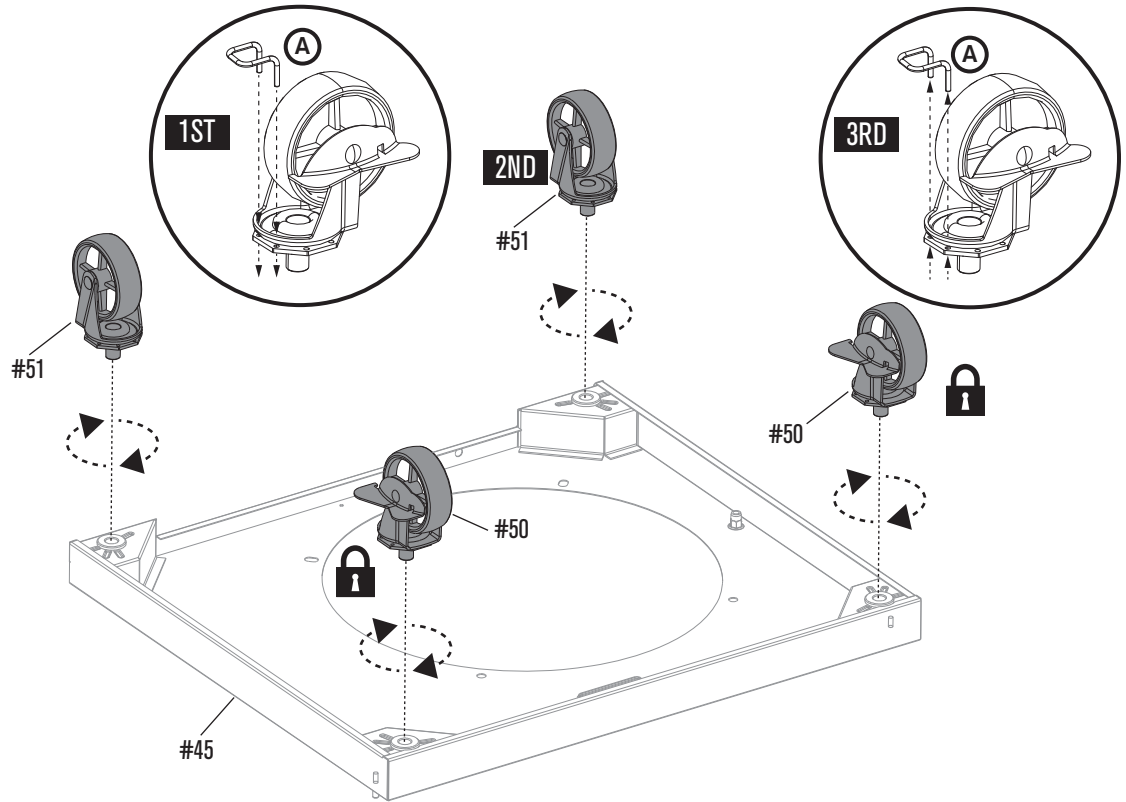
...	1	PRODUCT GUIDE, EUROPE
...	1	HARDWARE PACK
...	2	DOOR MAGNET
...	1	IR CLEANING TOOL
...	1	CASTER PIN
...	1	REGULATOR HOSE CLIP

# PARTS DIAGRAM FOR 468514322B1, 468163322B1

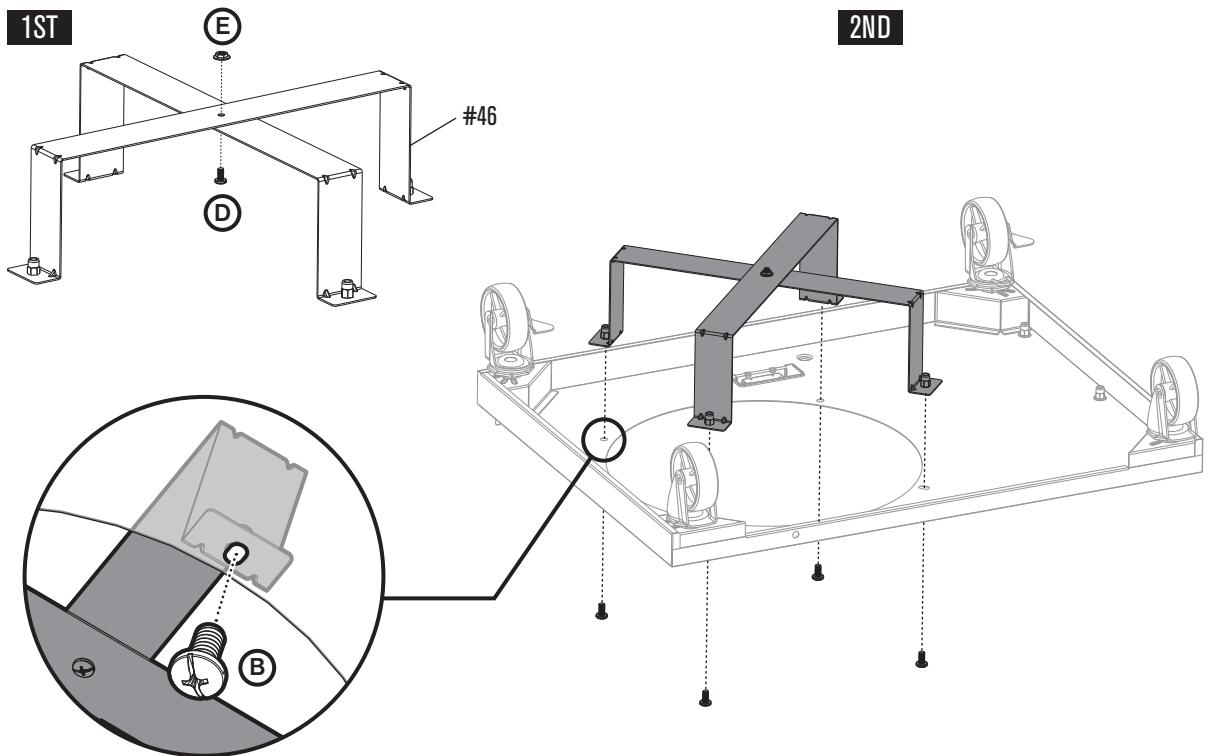


# ASSEMBLY

1



2



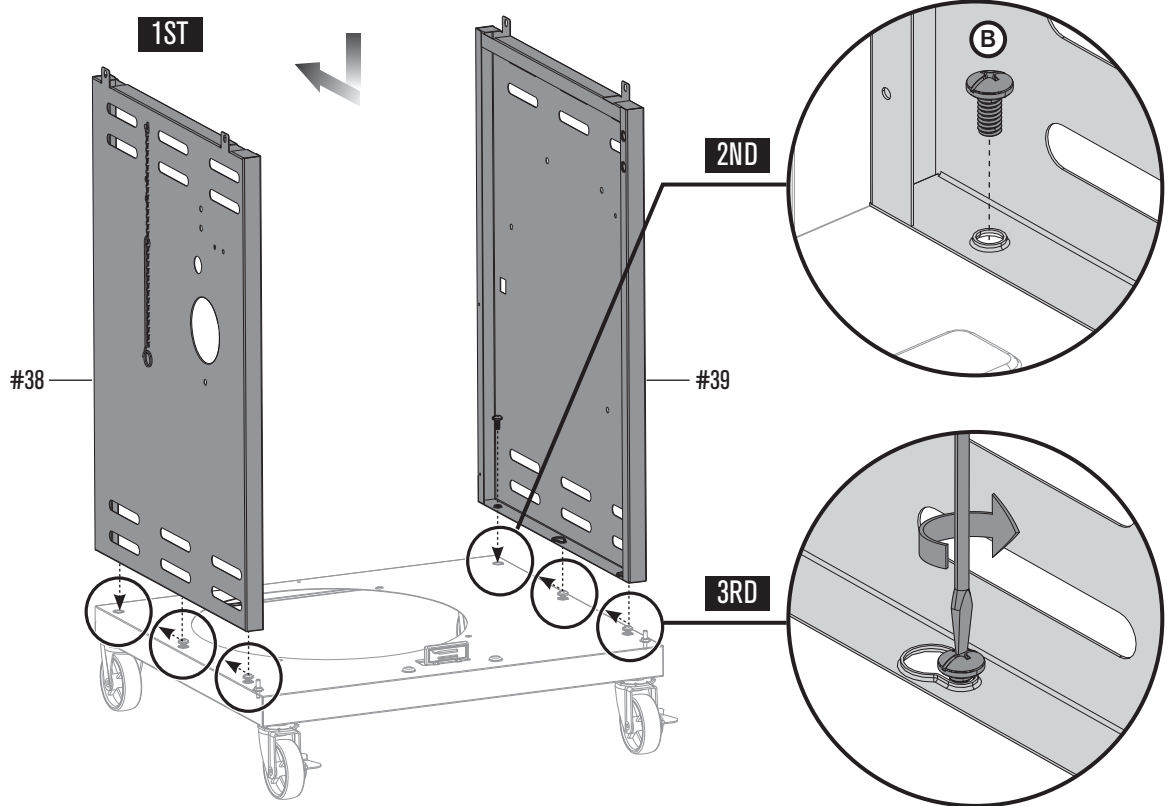


# ASSEMBLY

3



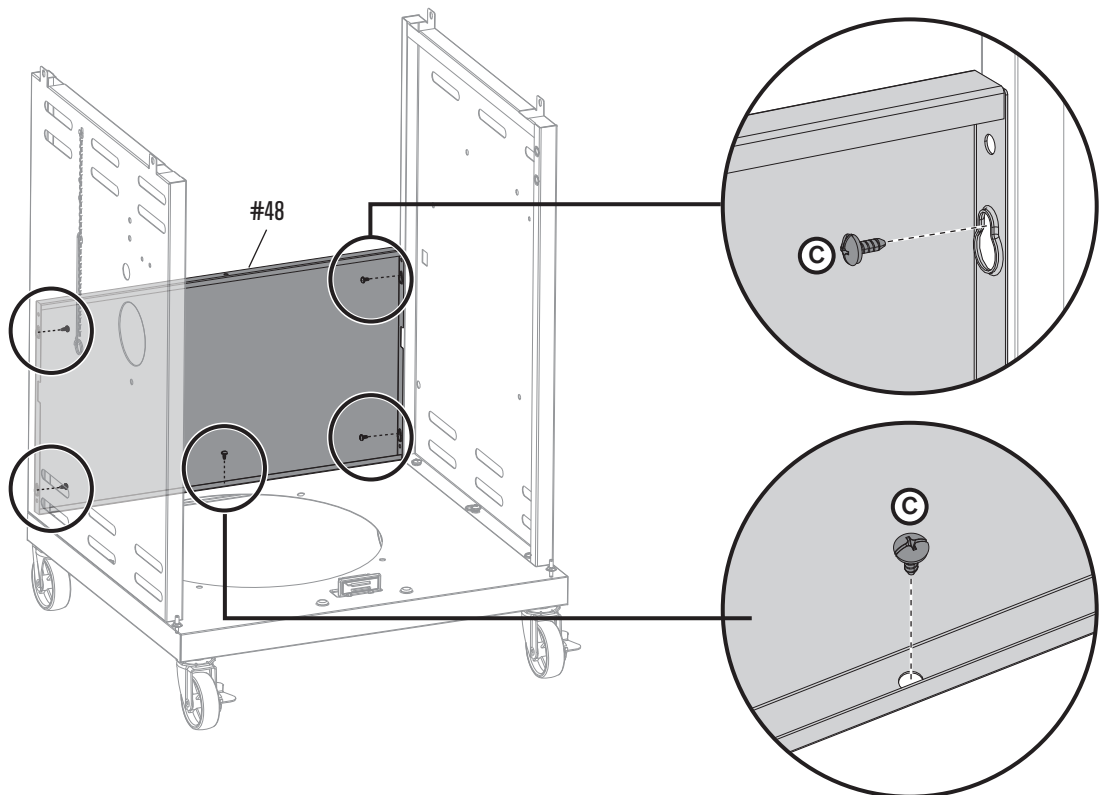
Bx2



4



Cx5

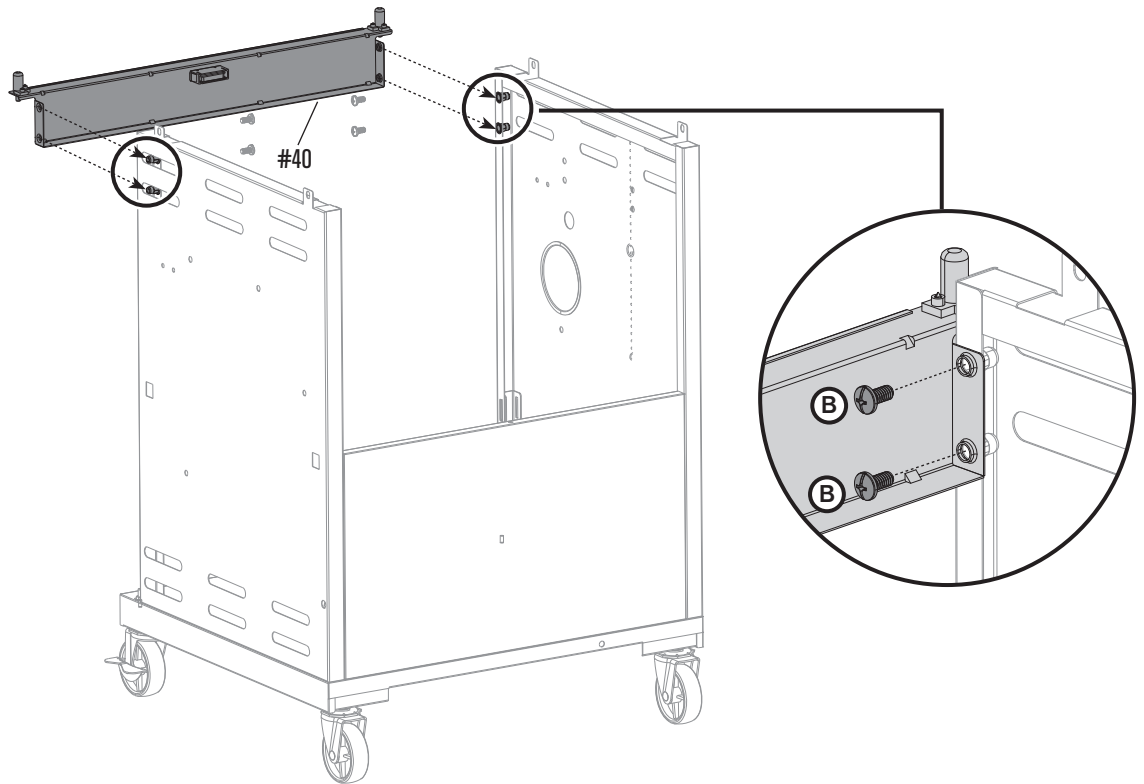


# ASSEMBLY

5



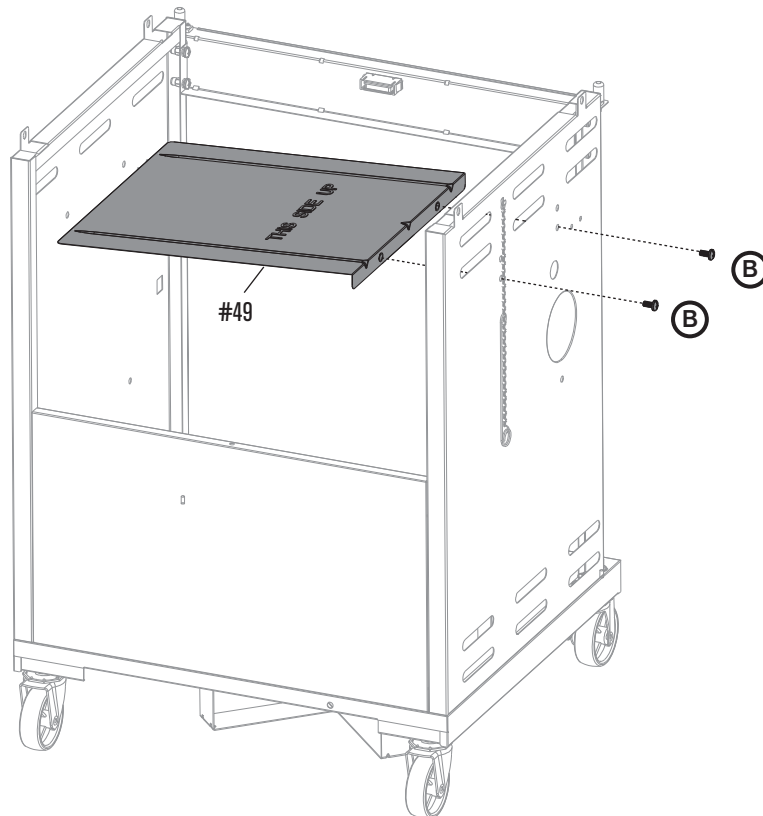
Bx4



6

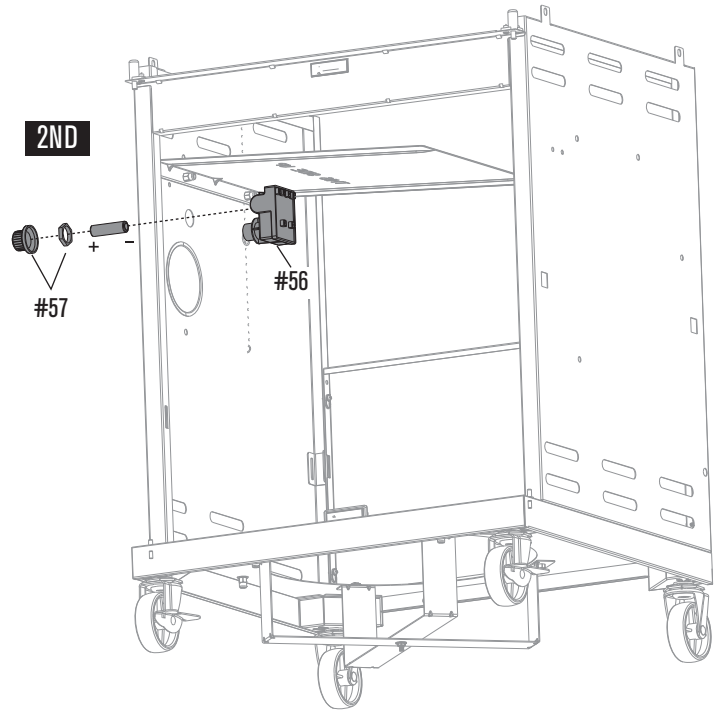
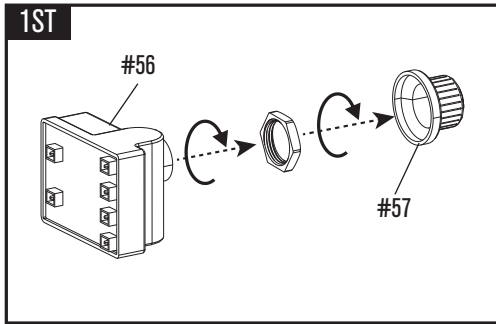


Bx2

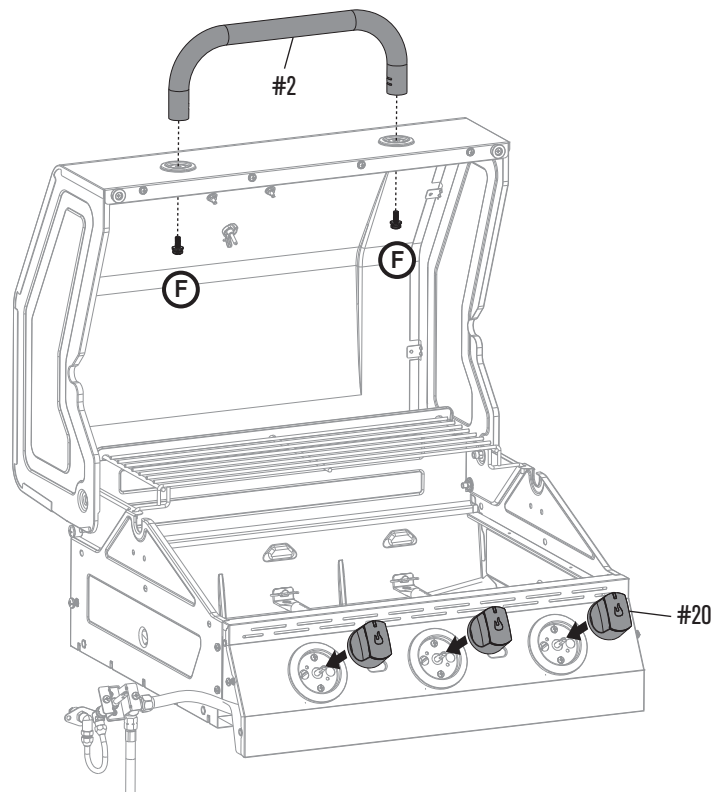


# ASSEMBLY

7



8

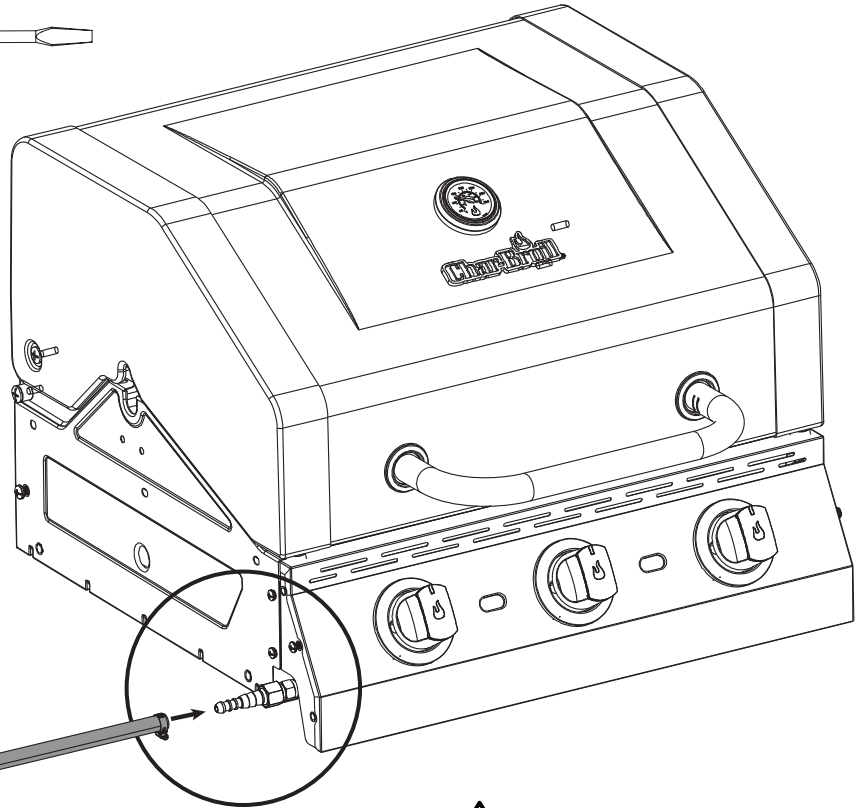


# LEAK CHECK FOR 468514322B1

12



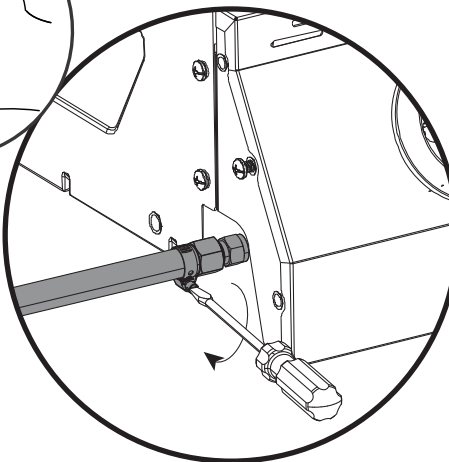
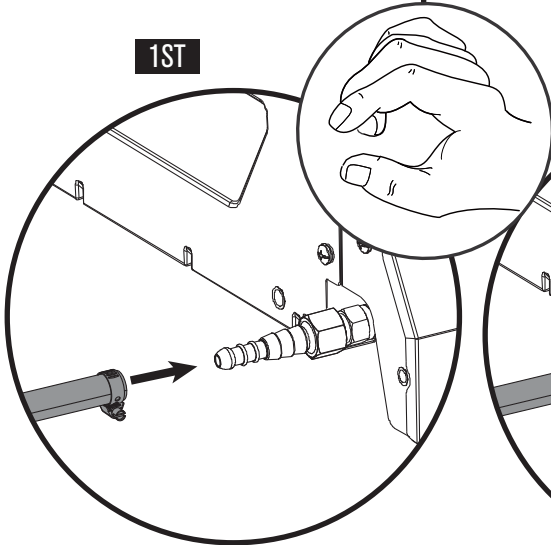
X1



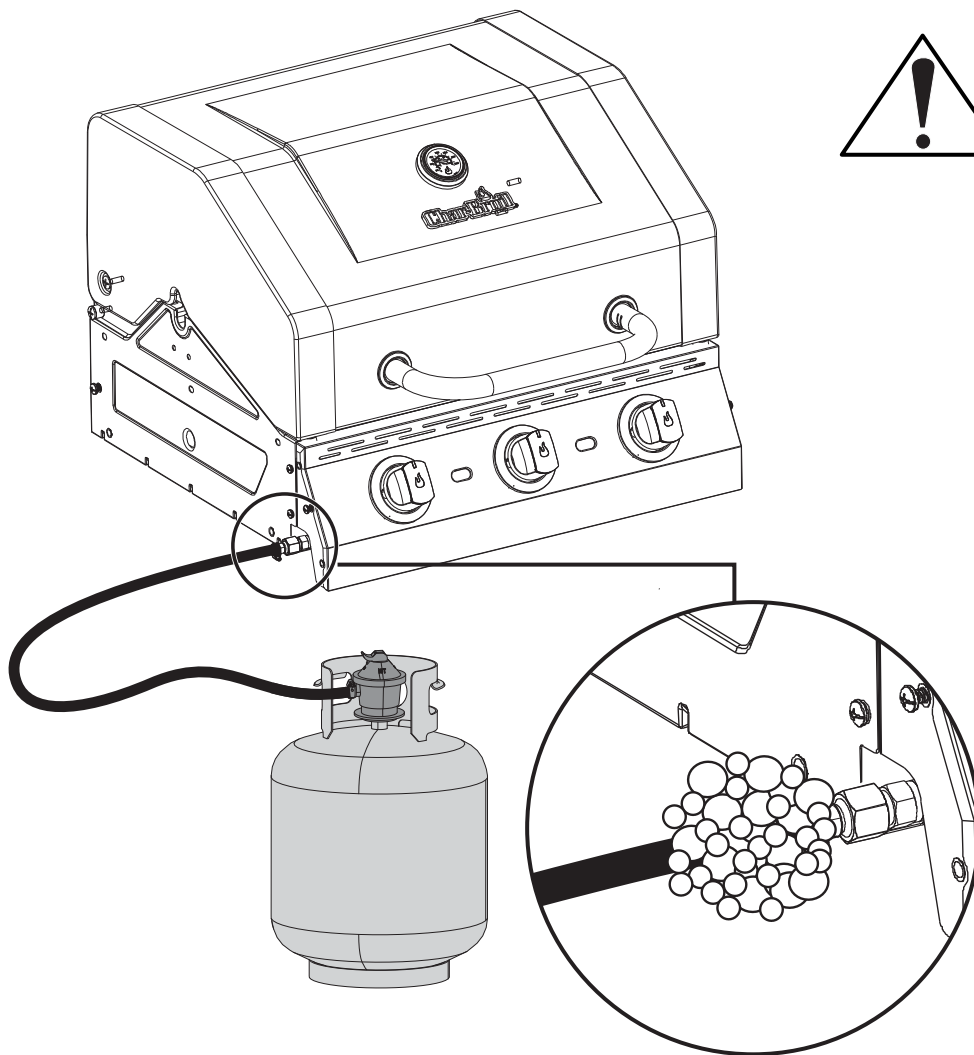
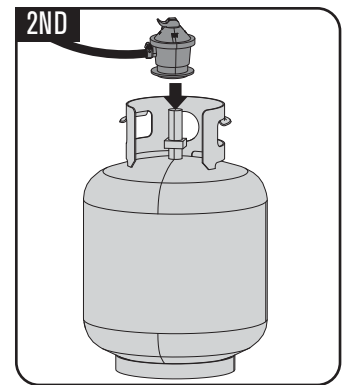
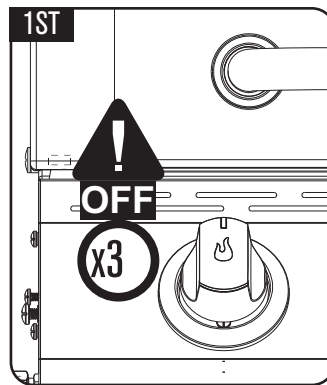
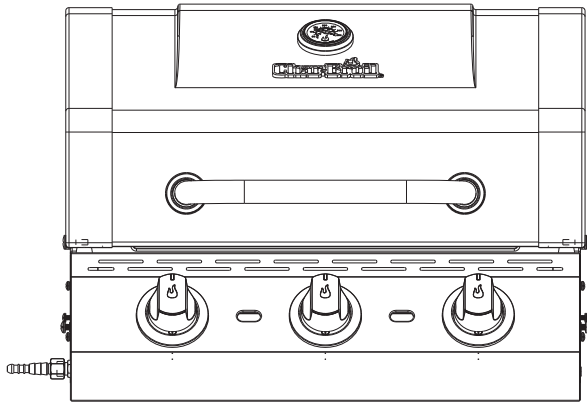
TIGHTEN SECURELY!  
 KIRISTÄ HUOLELLISESTI!  
 PEV UTÁH TE!  
 FASTSPÆ ND KORREKT!  
 DRAAI STEVIG AAN!  
 DRA ÅT ORDENTLIGT!  
 FEST GODT!  
 HERTU VANDLEGA  
 SERREZ FERMEMENT  
 SICHER BEFESTIGEN!  
 SERRARE SALDAMENTE  
 APRIETE FIRMEMENTE  
 BEZP NE ZATIA NI U  
 הדק בחוזקה  
 AFTENGDU TANKINNS  
 EKFOETSÐISURAN Þ!  
 ЗАДАЧИ СЕКРЕТНО!  
 BIZTONSÁGÁVAL!  
 ΑΤΕ ΙΕ SECURAL!  
 ΑΣΦΑΛΕΙΑΣ ΑΣΦΑΛΕΙΑΣ!

1ST

2ND

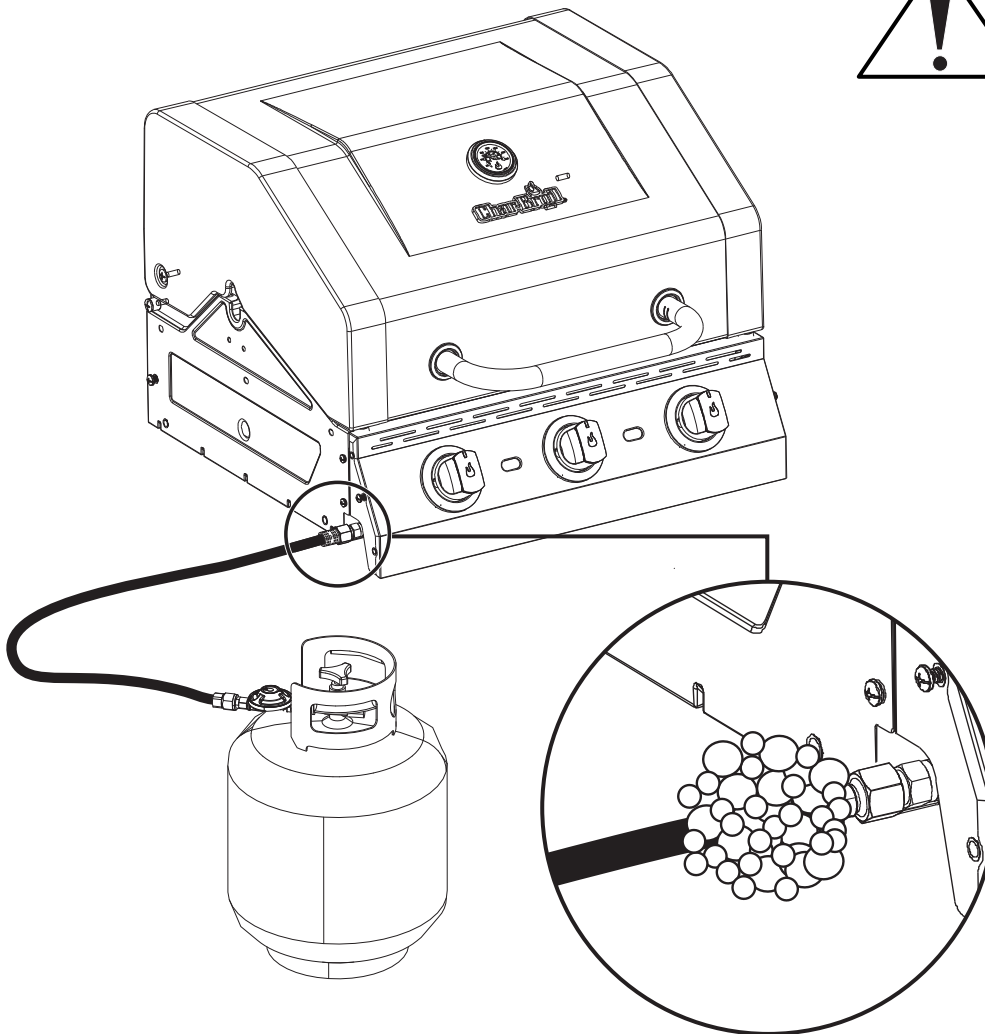
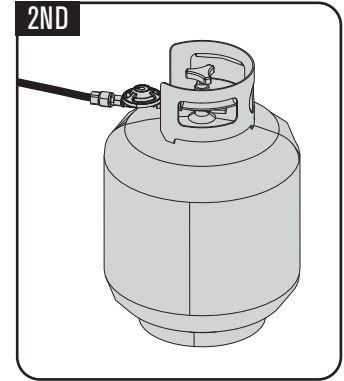
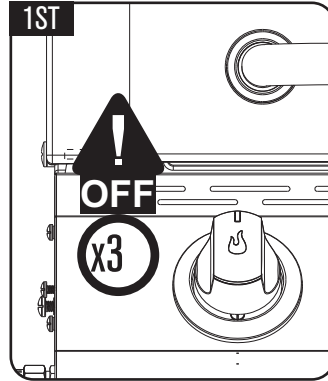
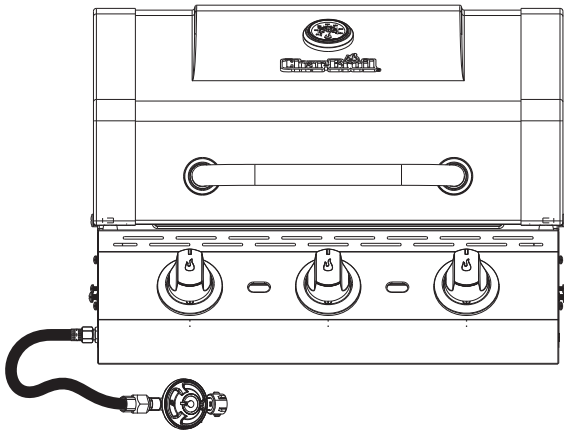


# LEAK CHECK FOR 468514322B1



**Disconnect the tank after this check!**  
**Ontkoppel de gastank na deze controle!**  
**Koppla från tanken efter denna kontroll!**  
**Koble fra beholderen etter denne kontrollen!**  
**Po kontrole nádobu odpojte!**  
**Po této kontrole odpojte nádrž!**  
**Irrotta säiliö tämän tarkistuksen jälkeen!**  
**Framontér tanken efter denne kontrol!**  
 Αποσυνδέστε τη δεξαμενή μετά από αυτόν τον έλεγχο!  
 Kösse le a tartályt az ellenőrzés után!  
 Deconectați rezervorul după această verificare!  
 Изключете резервоара след тази проверка!  
**Klemmen Sie den Tank nach dieser Prüfung ab!**  
**Scollegare il serbatoio dopo questo controllo!**  
**¡Desconecte el tanque luego de esta comprobación!**  
**Desligue a botija depois desta verificação!**  
**Déconnectez le réservoir après cette vérification !**  
**Aftengdu tankinn eftir þessa skoðun!**  
**הקידבר החאל לכמת הק אתנ!**

# LEAK CHECK FOR 468163322B1



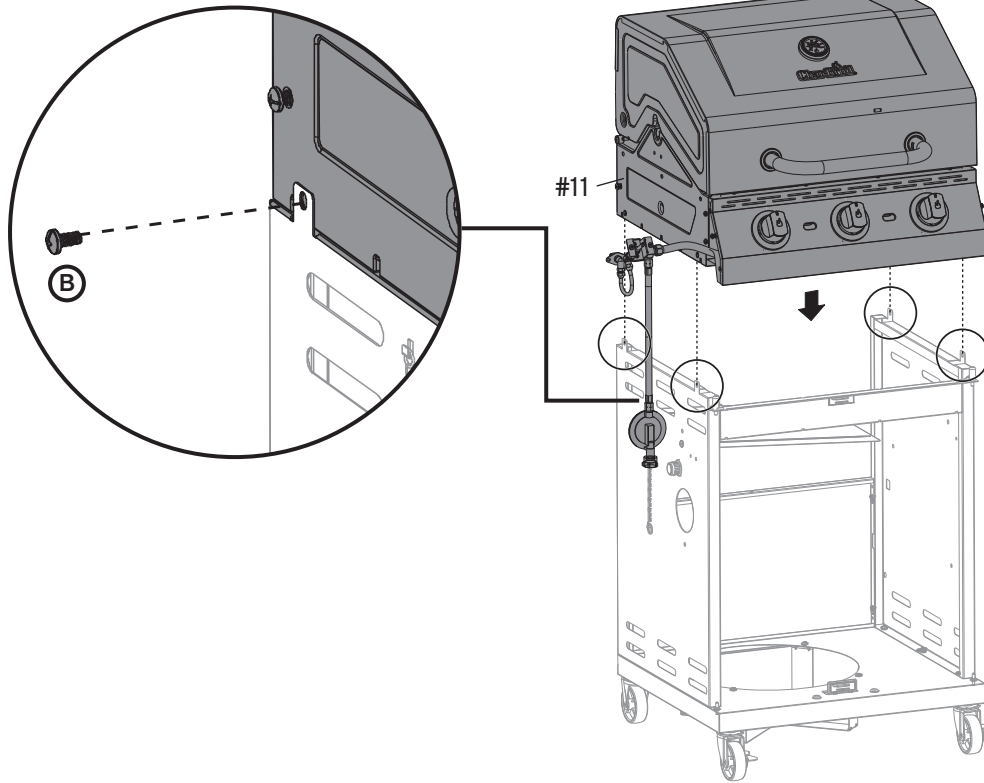
Disconnect the tank after this check!  
Otkoppel de gastank na deze controle!  
Koppla från tanken efter denna kontroll!  
Koble fra beholderen etter denne kontrollen!  
Po kontrole nádobu odpojte!  
Po této kontrole odpojte nádrž!  
Irrotta säiliö tämän tarkistuksen jälkeen!  
Framontér tanken efter denne kontrol!  
Αποσυνδέστε τη δεξαμενή μετά από αυτόν τον έλεγχο!  
Kösse le a tartályt az ellenőrzés után!  
Deconectați rezervorul după această verificare!  
Исключете резервоара след тази проверка!  
Klemmen Sie den Tank nach dieser Prüfung ab!  
Scollegare il serbatoio dopo questo controllo!  
¡Desconecte el tanque luego de esta comprobación!  
Desligue a botija depois desta verificação!  
Déconnectez le réservoir après cette vérification !  
Aftengdu tankinn eftir þessa skoðun!  
הקידבר החאל לכמת הק אתנ!

# ASSEMBLY

10



Bx4

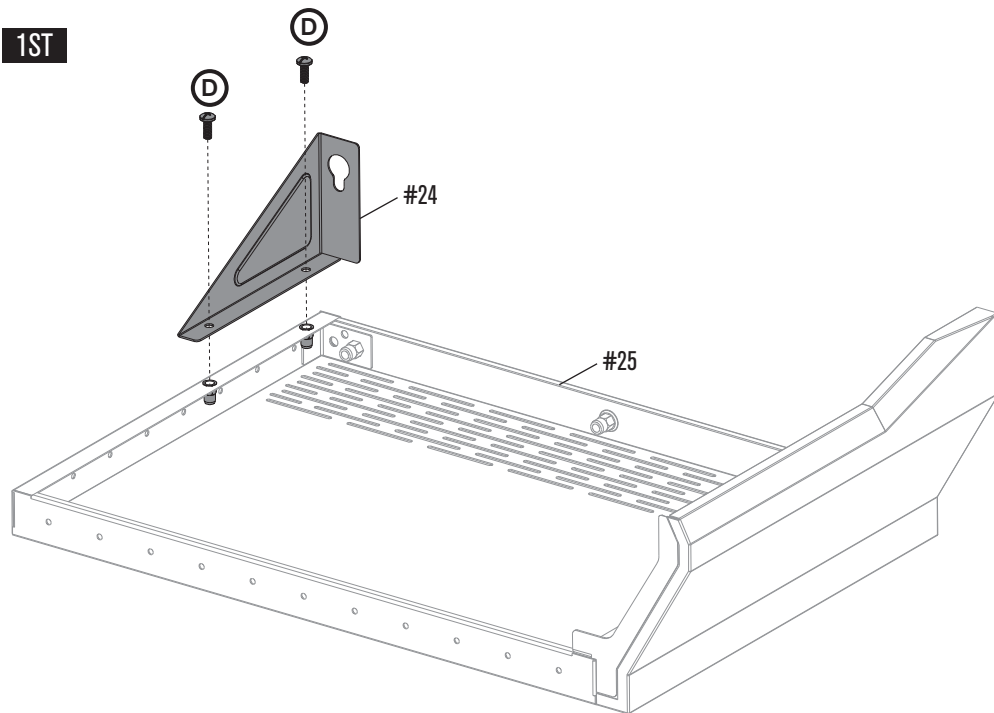


11



Dx2

1ST



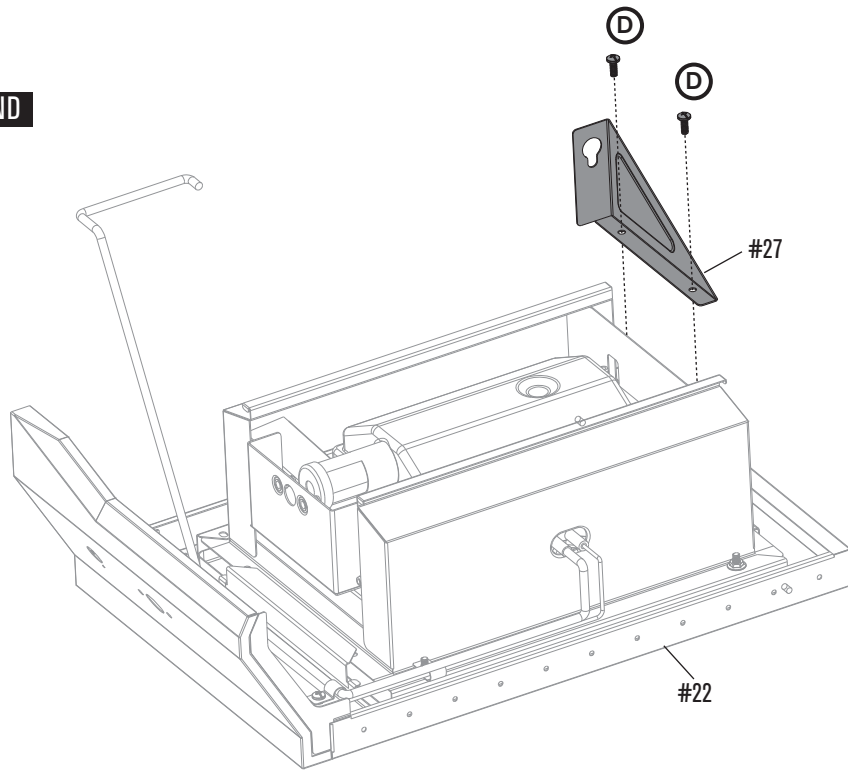
# ASSEMBLY

11

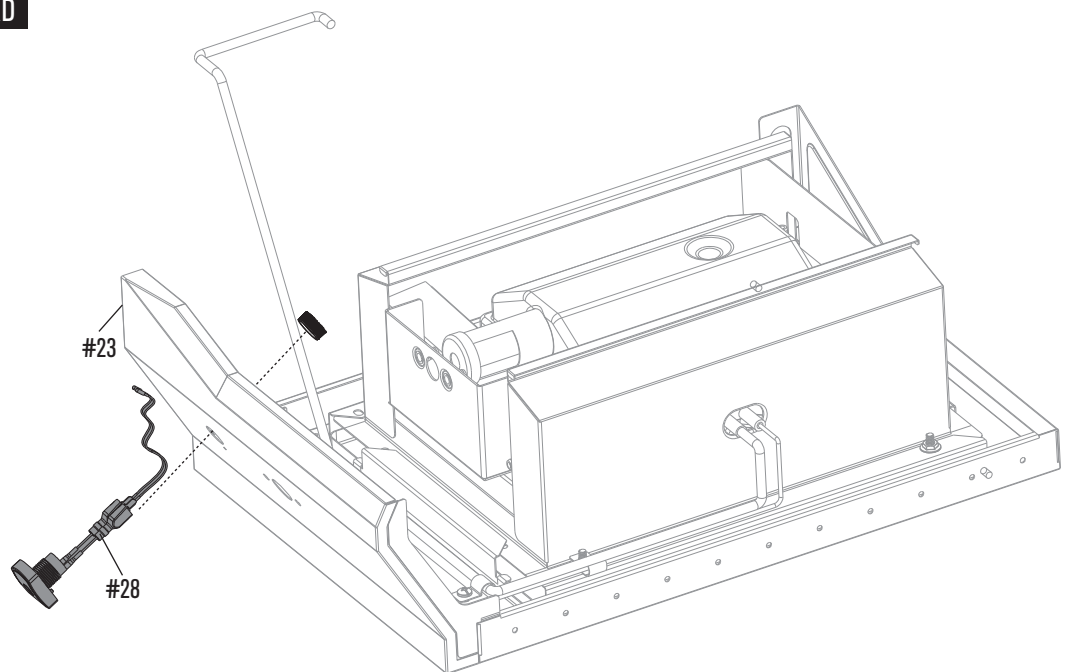


Dx2

2ND



3RD



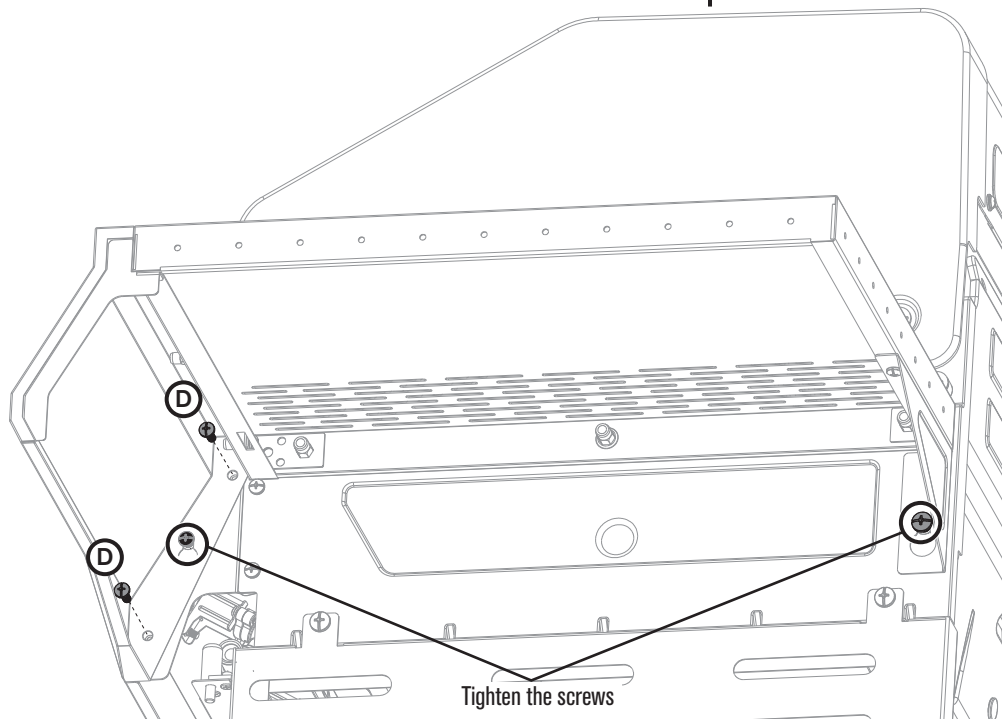
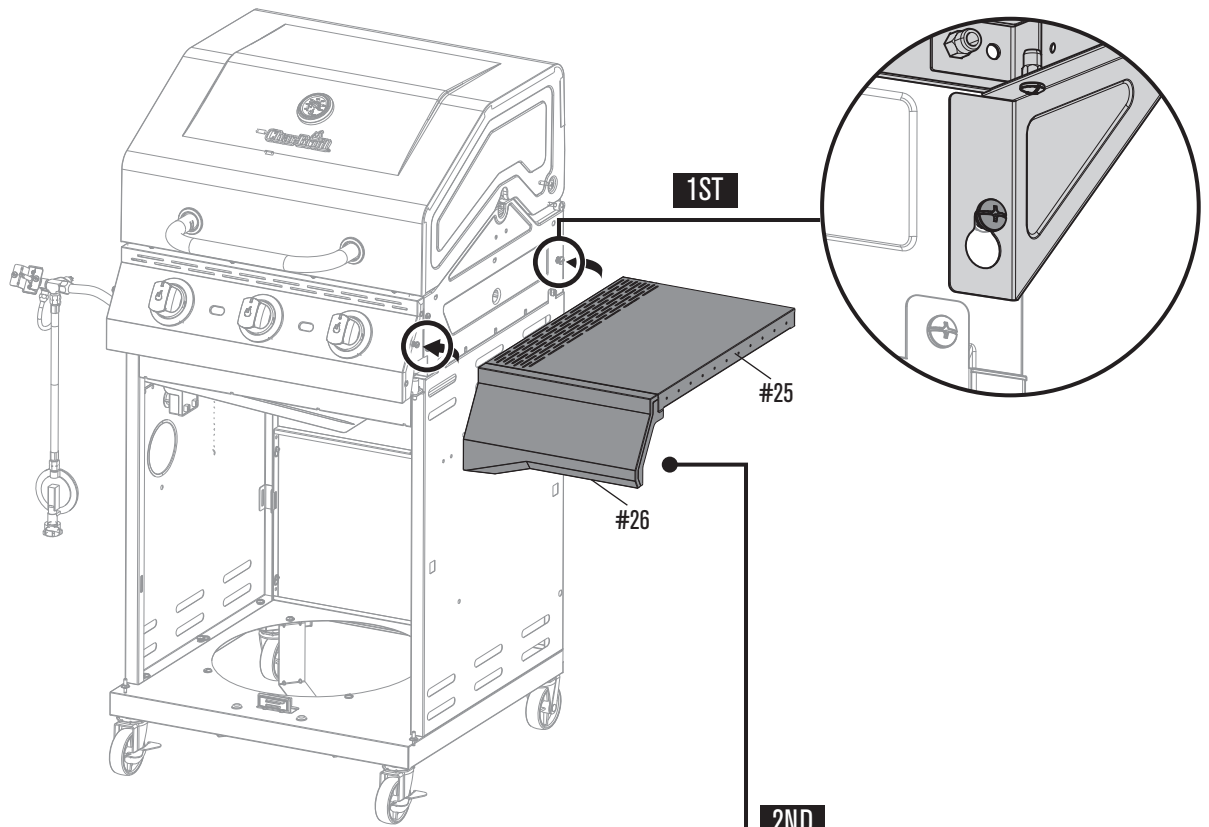


# ASSEMBLY

12



Dx2



# ASSEMBLY

12

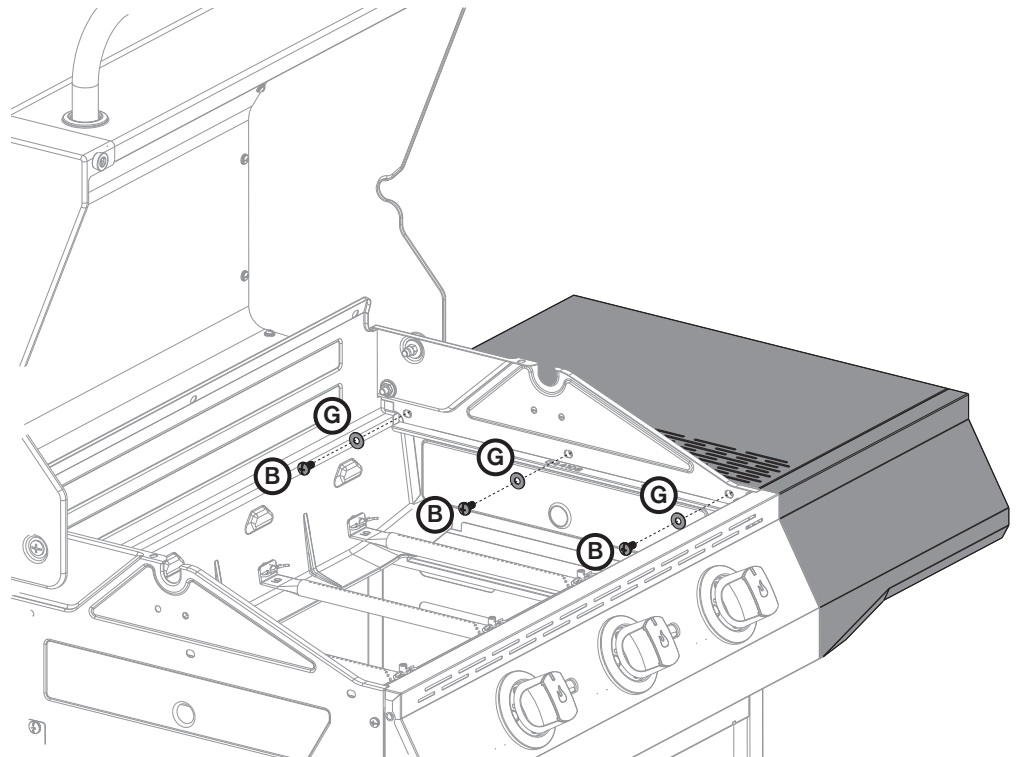


Bx3



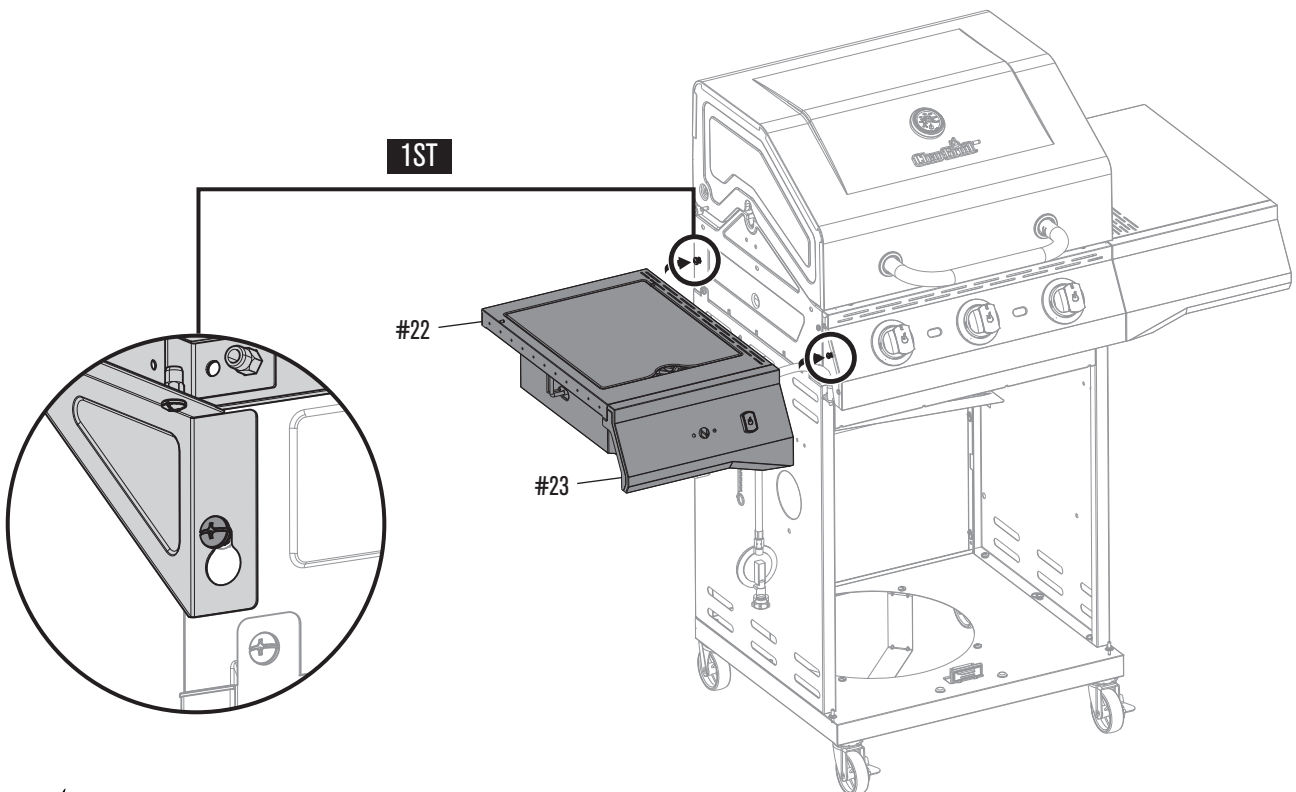
Gx3

3RD



13

1ST



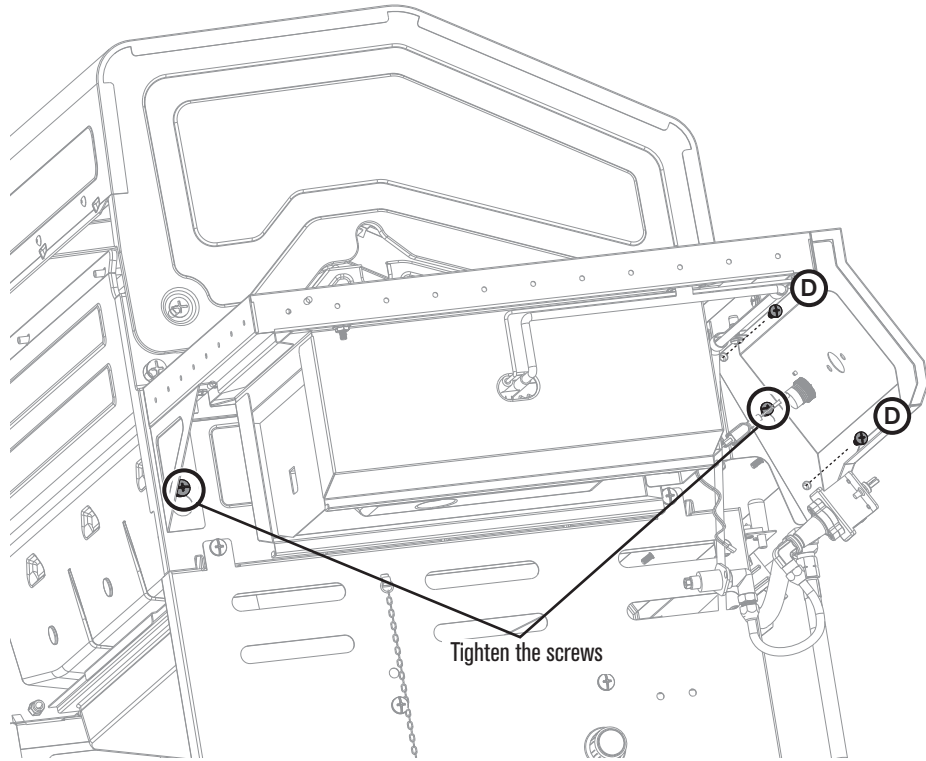
# ASSEMBLY

13

2ND



Dx2



Tighten the screws

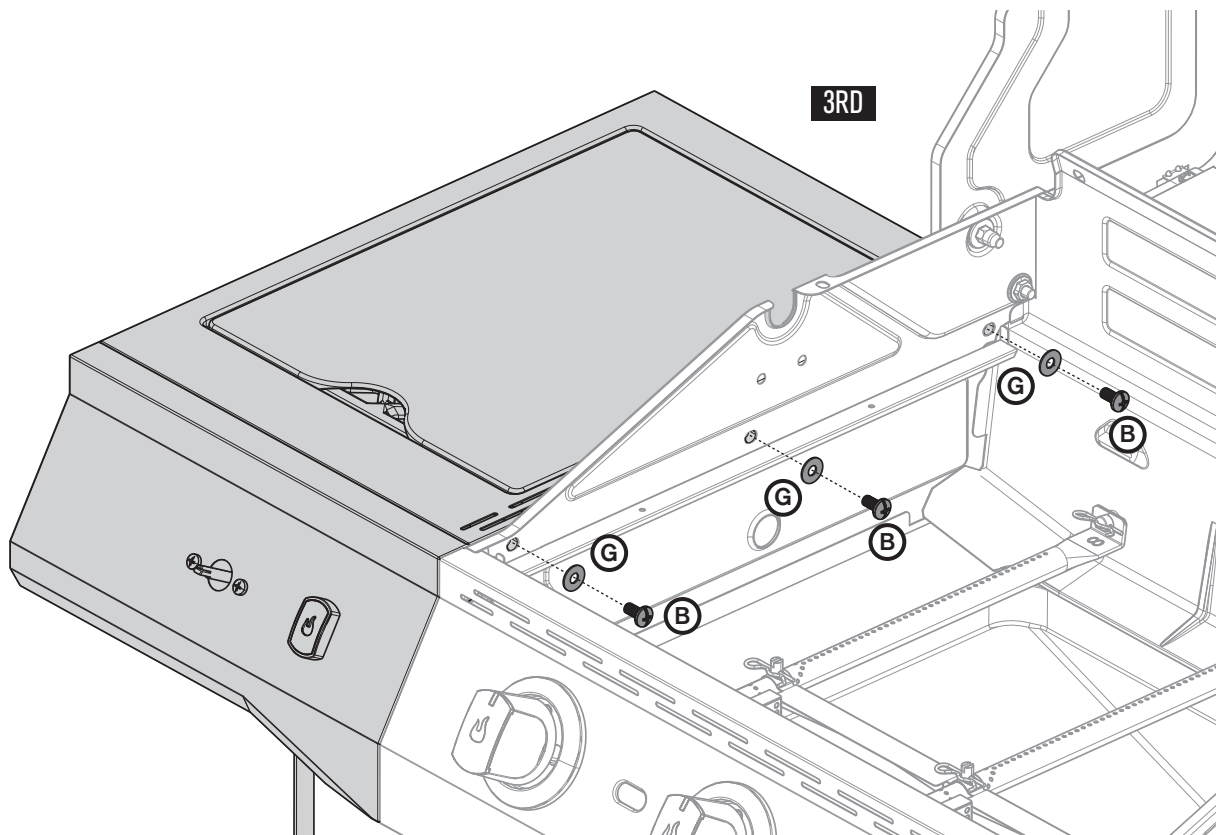


Bx3



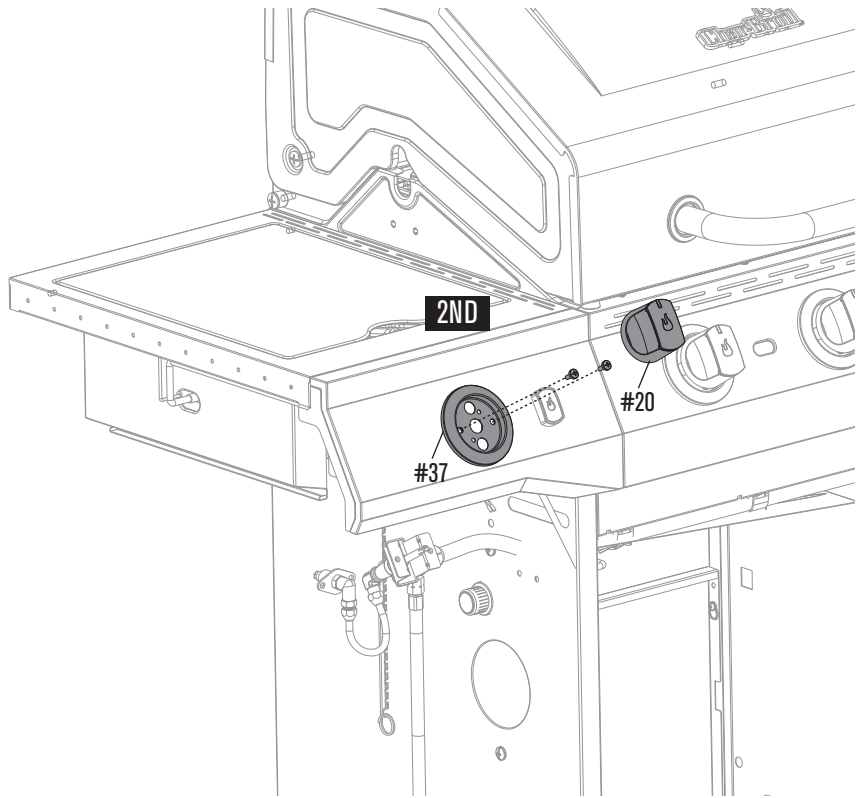
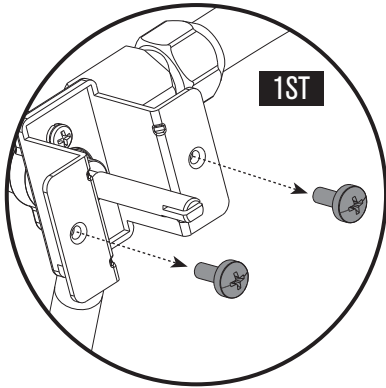
Gx3

3RD

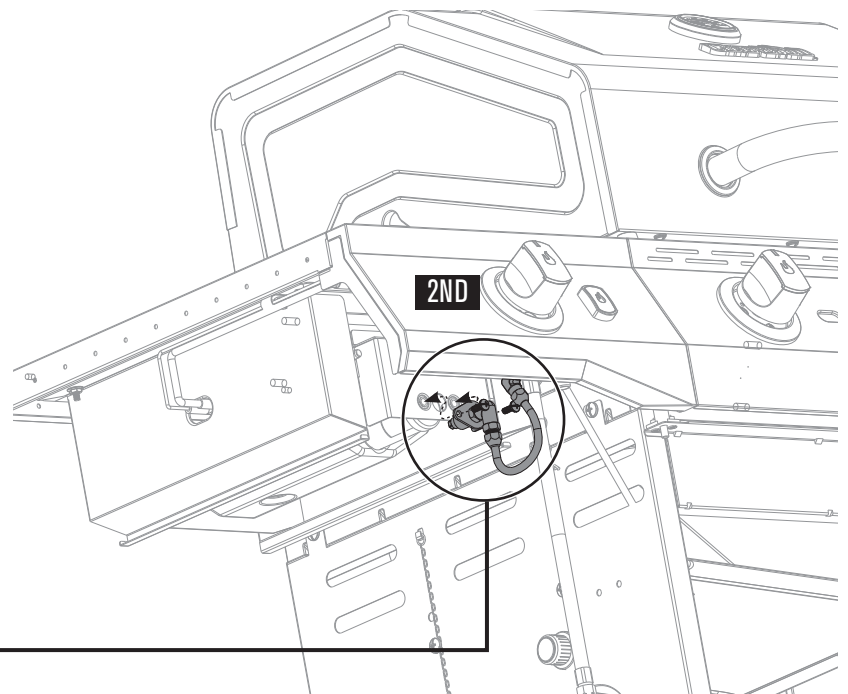
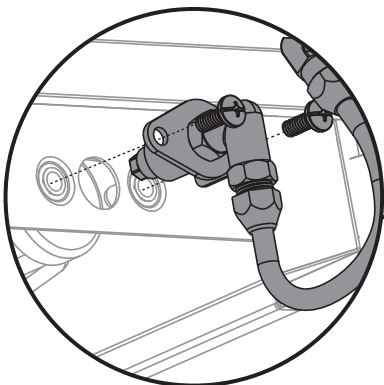
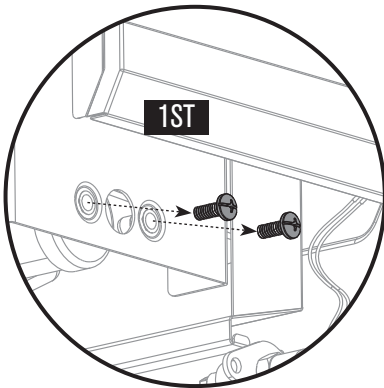


# ASSEMBLY

14

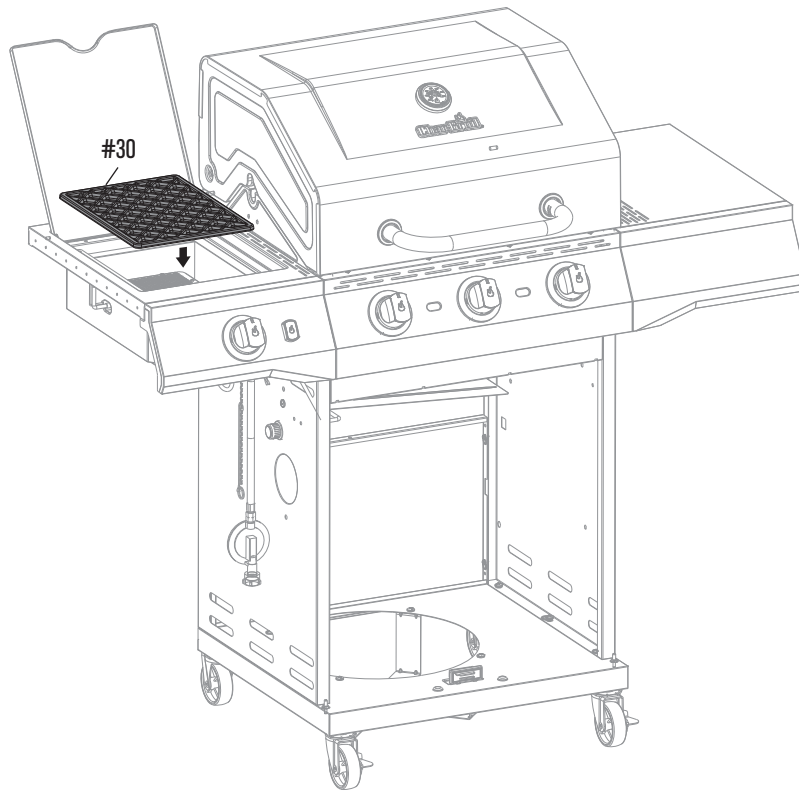


15

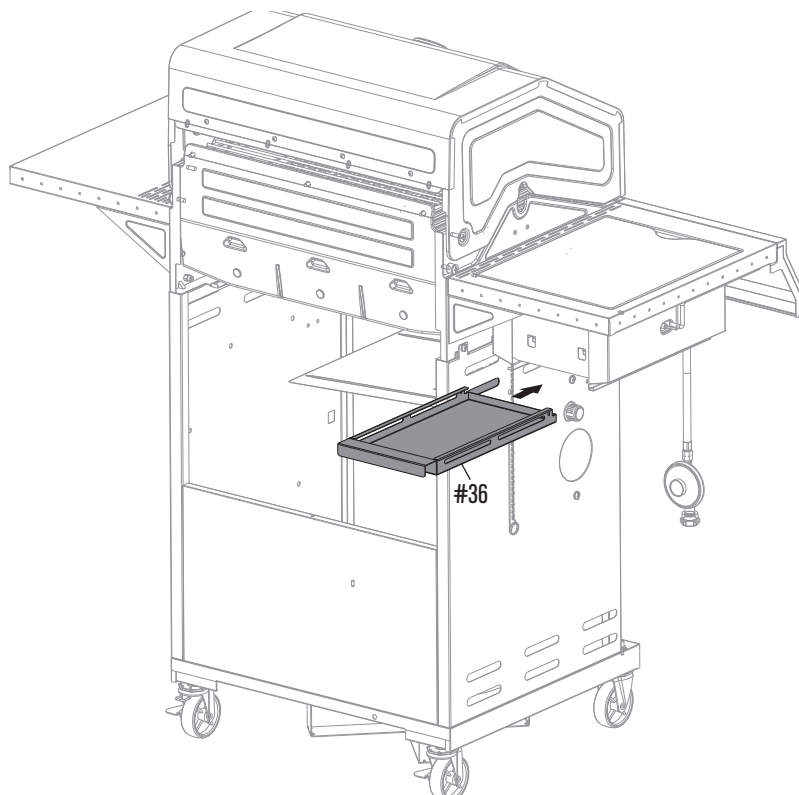


# ASSEMBLY

16

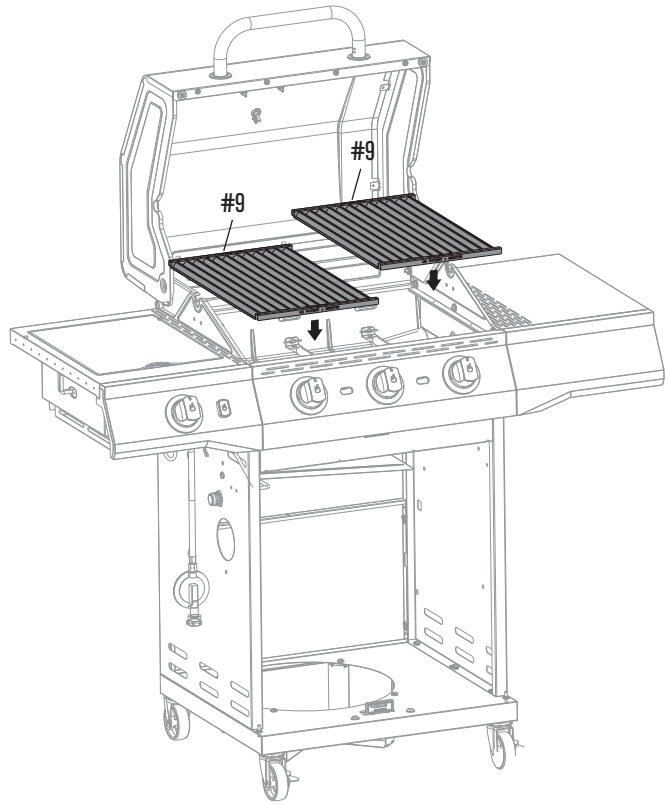


17

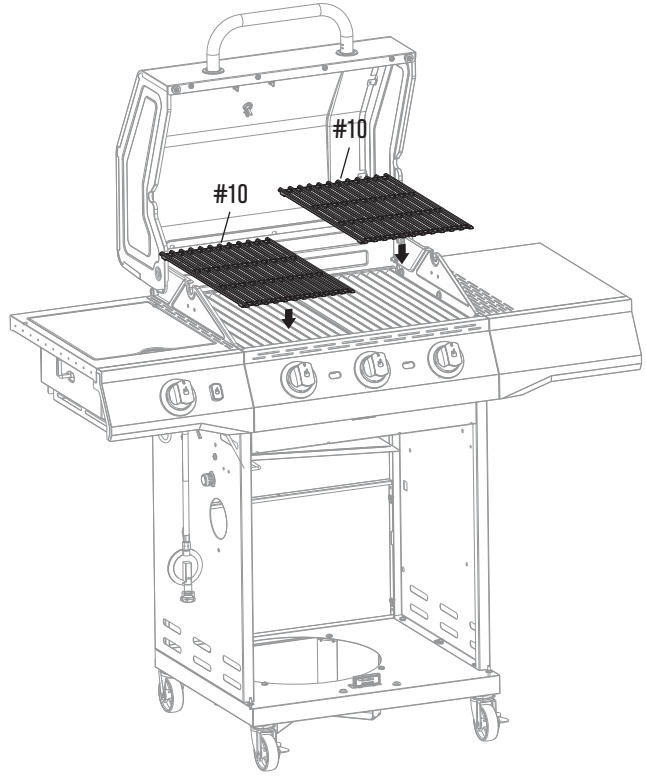


# ASSEMBLY

18

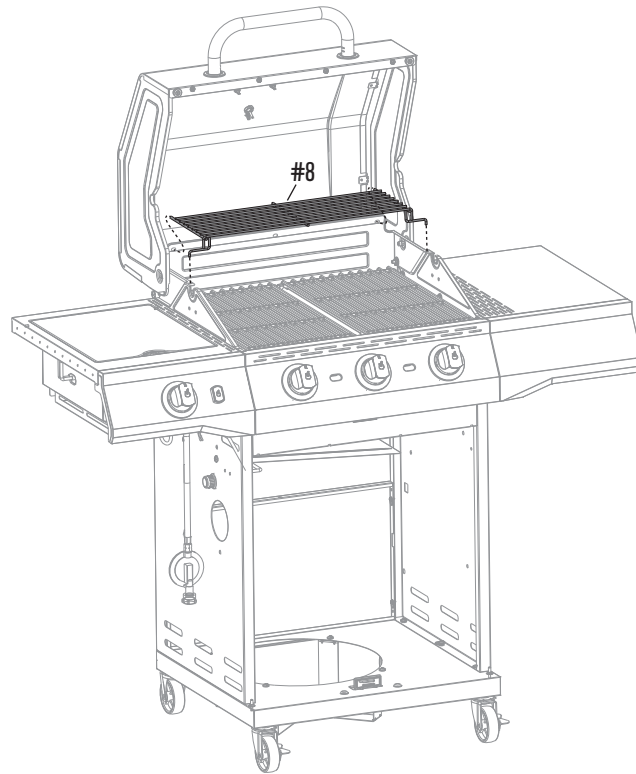


19



# ASSEMBLY

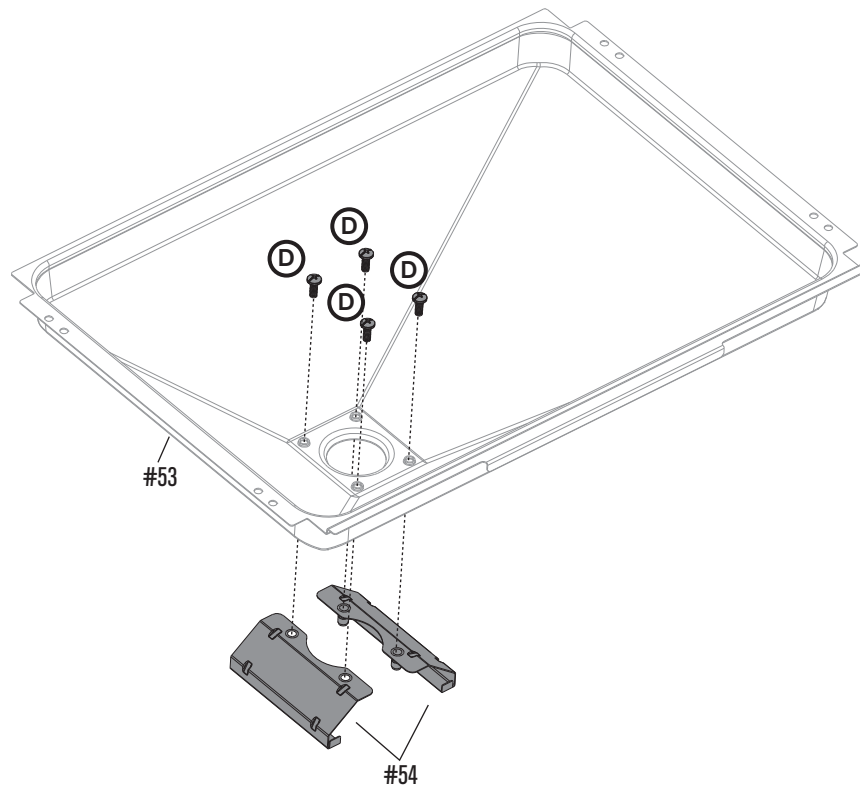
20



21



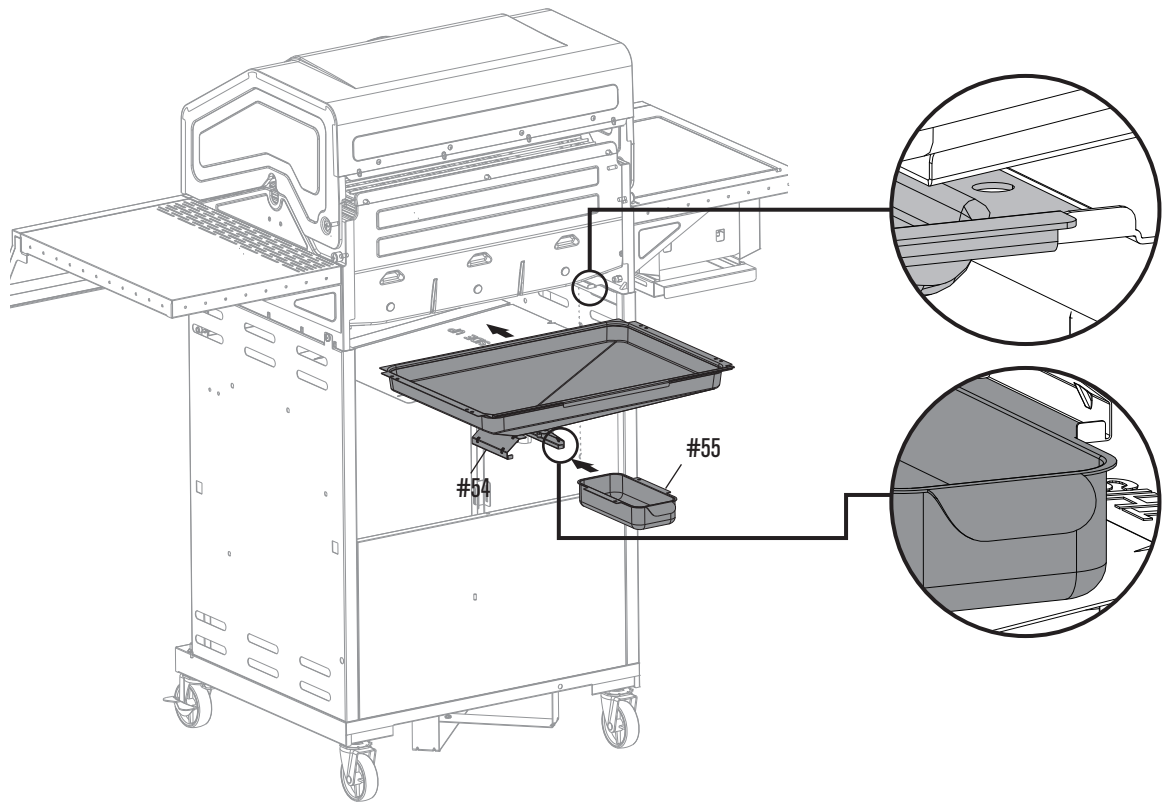
Dx4





# ASSEMBLY

22



23



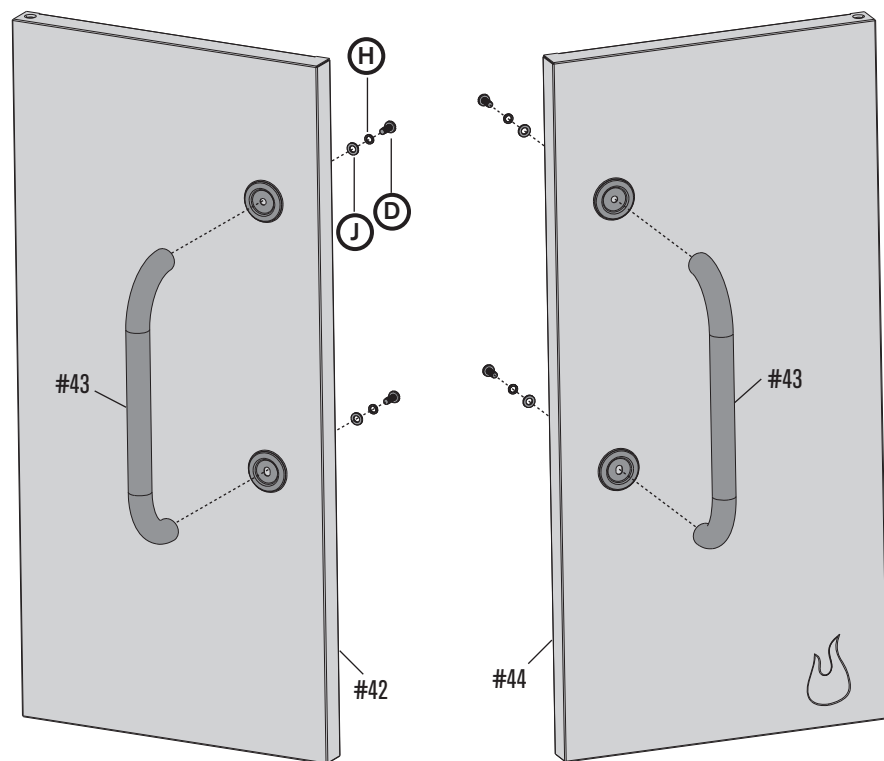
Dx4



Hx4



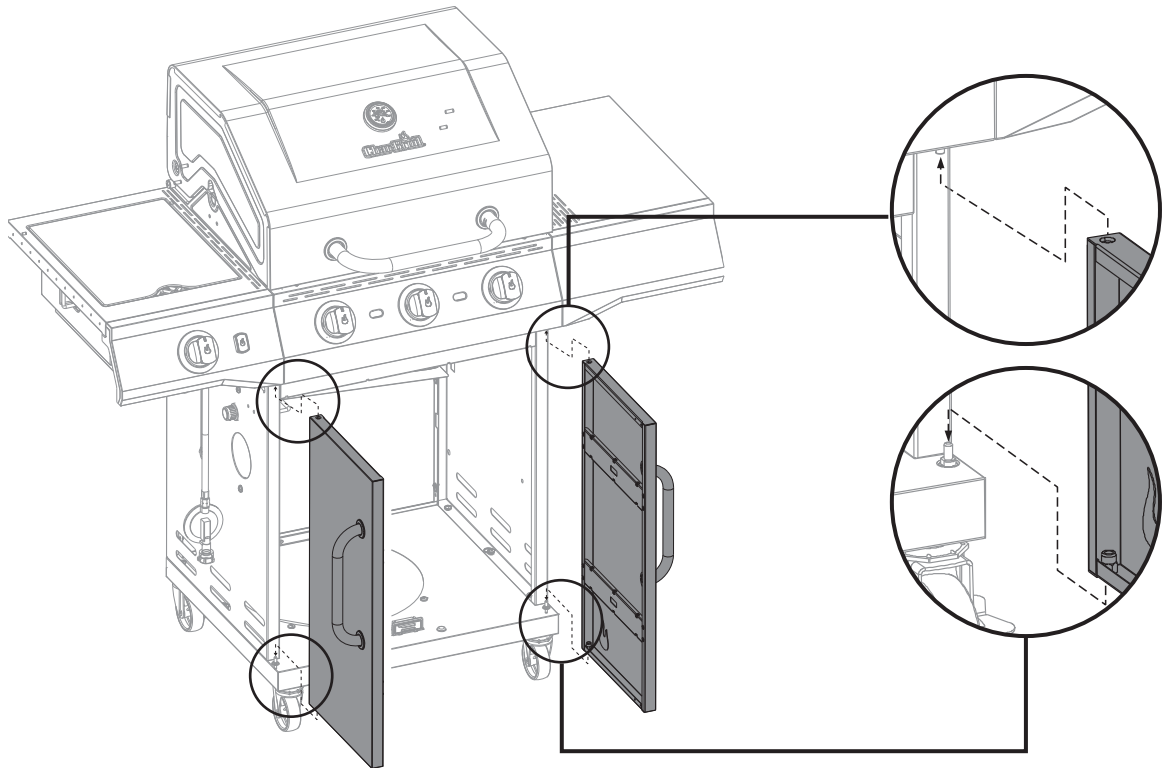
Jx4



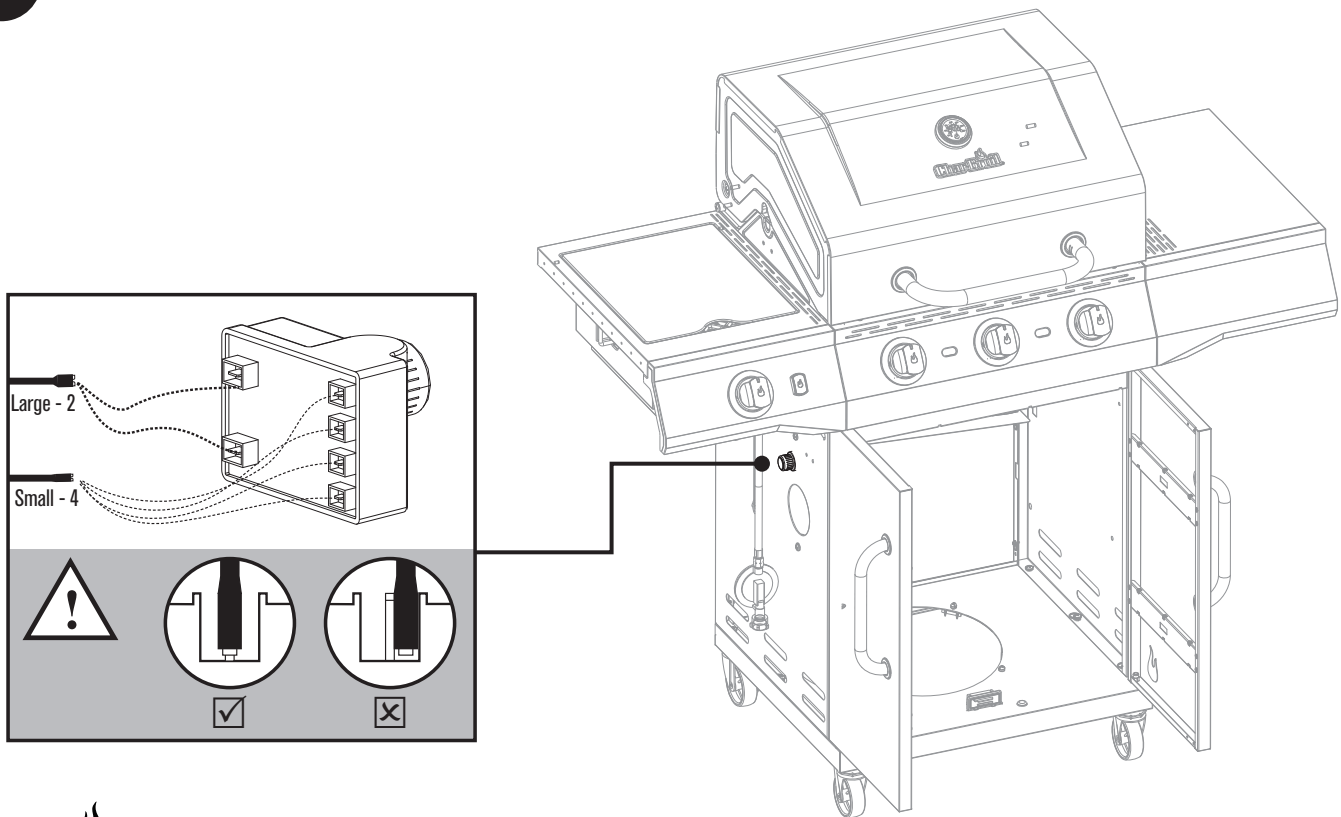


# ASSEMBLY

24

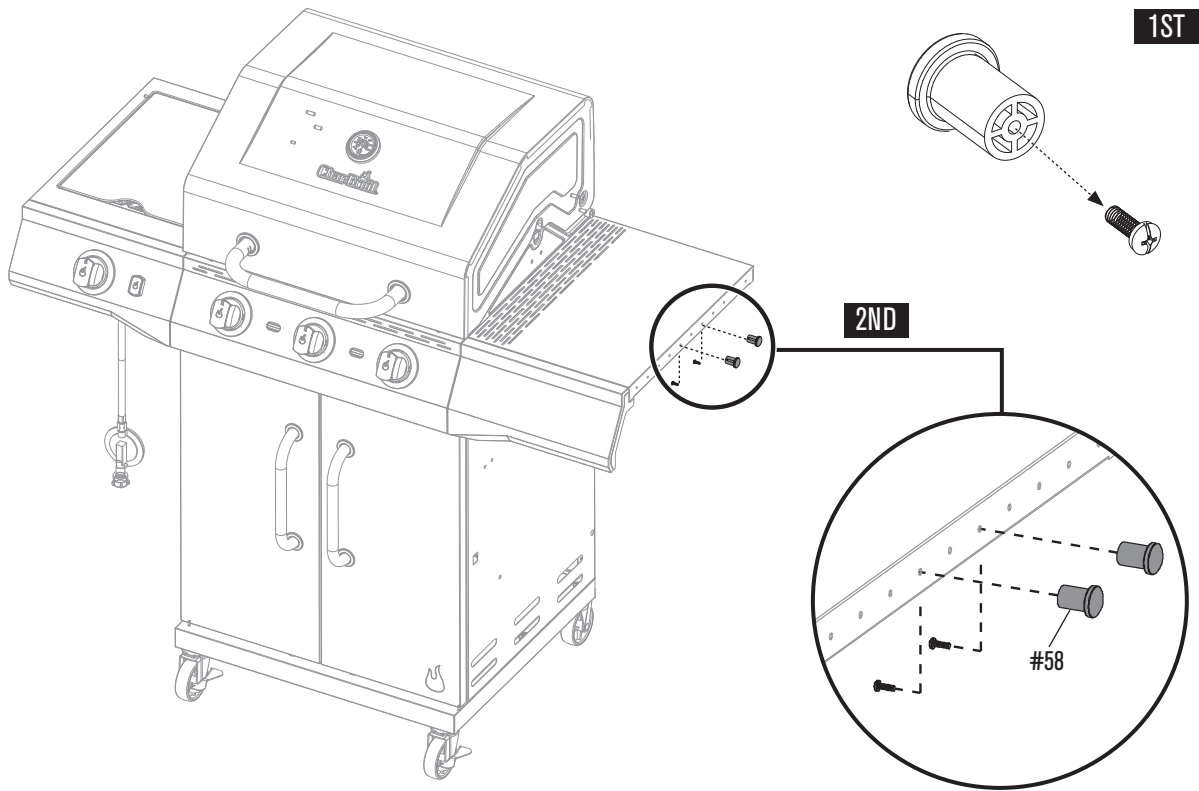


25



# ASSEMBLY

26



27



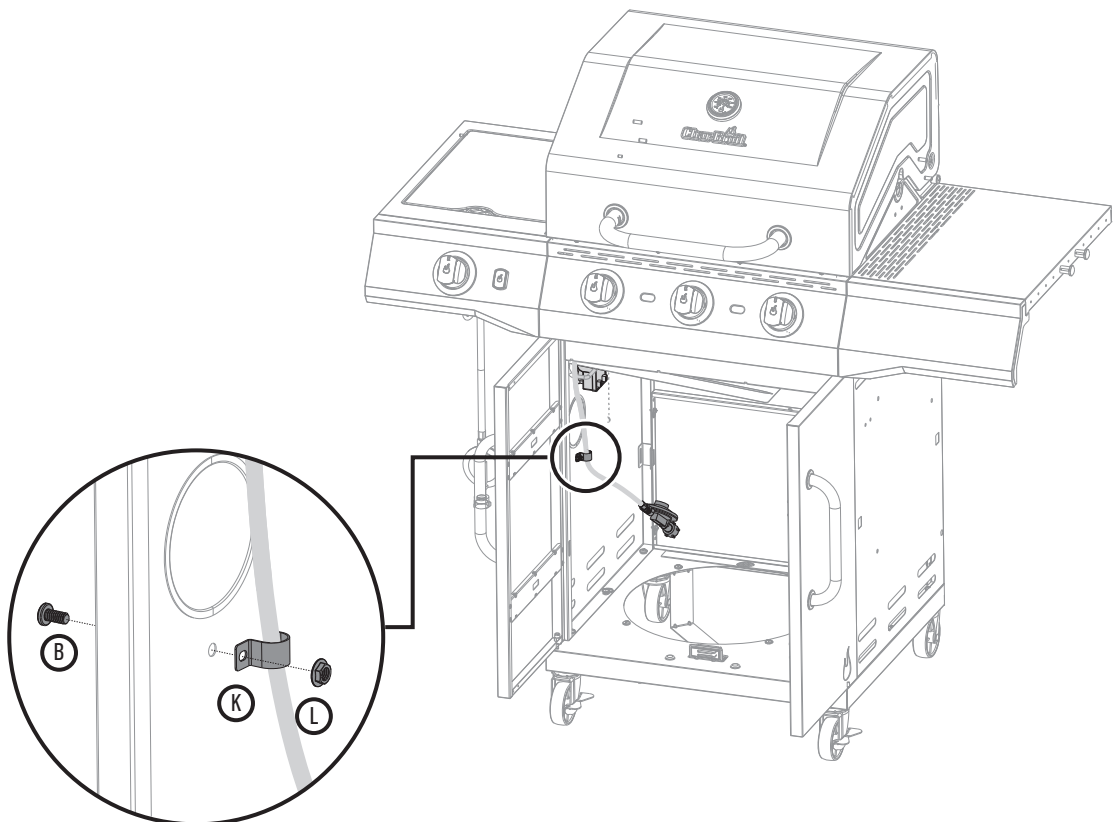
Bx1



Kx1

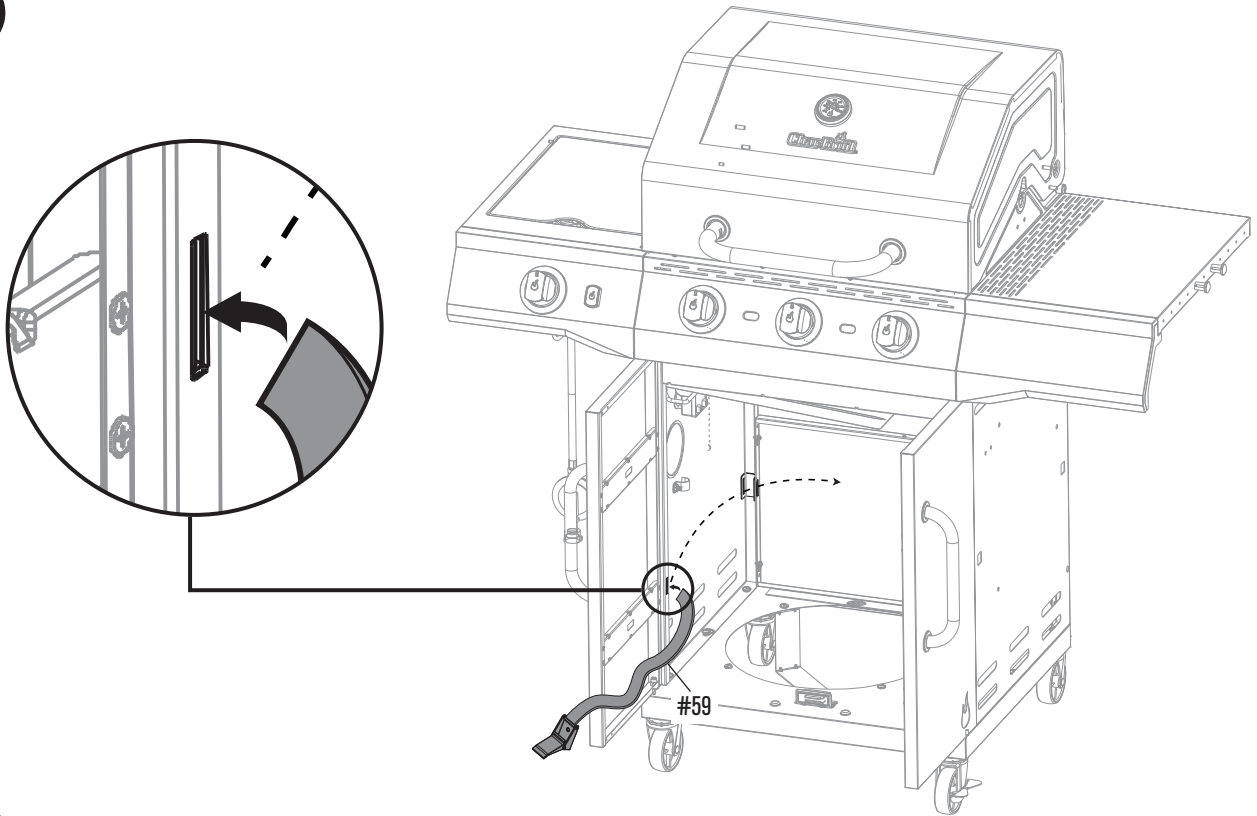


Lx1

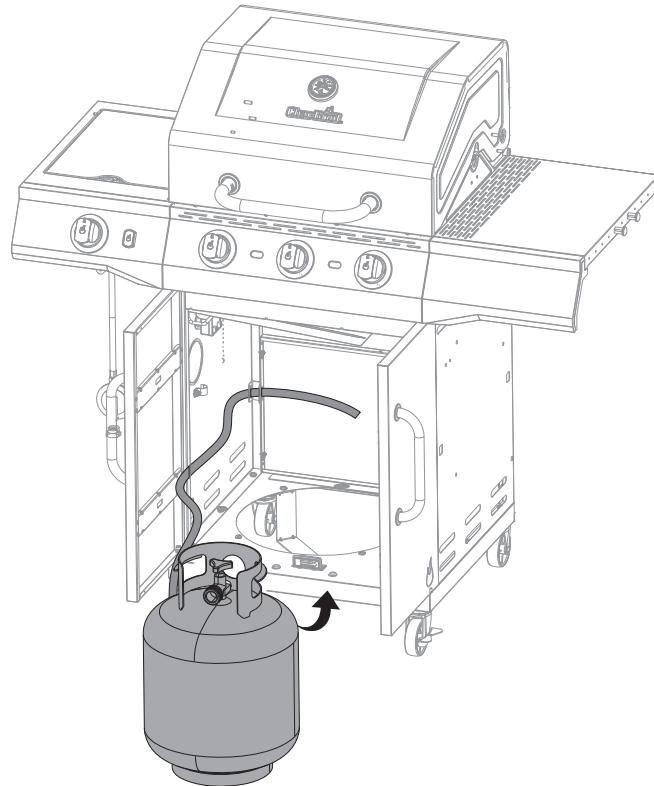


# ASSEMBLY

28



29



# ASSEMBLY

30

