



**DOWNLOAD  
STEP-BY-STEP  
INTERACTIVE  
ASSEMBLY GUIDE**



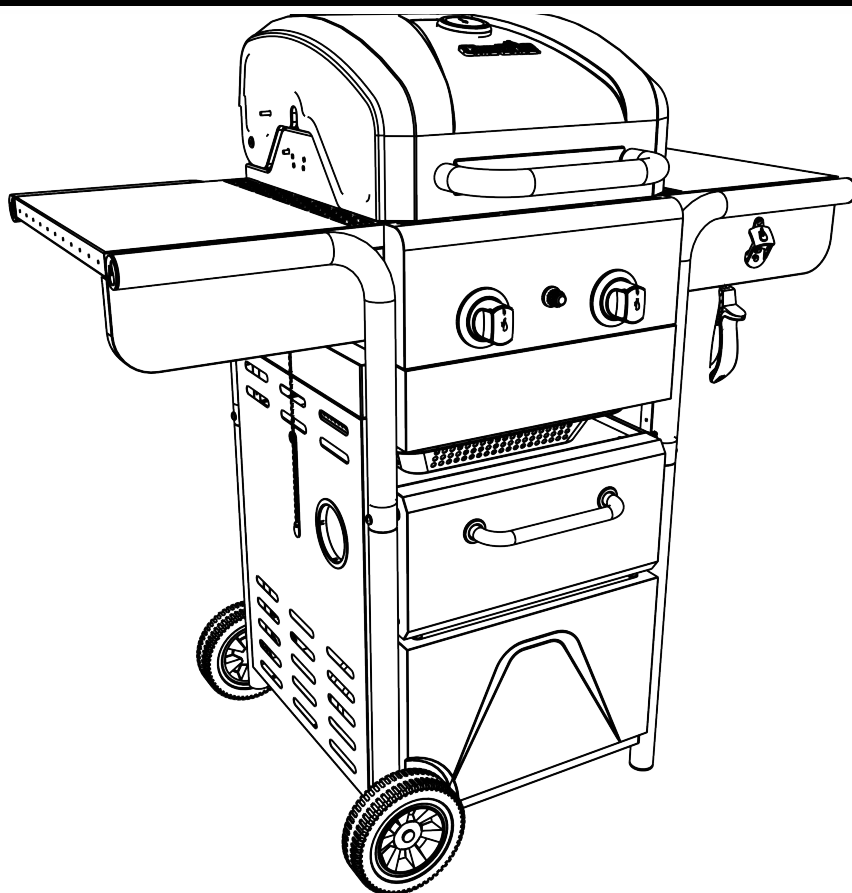
CHAR-BROIL BBQ GUIDE APP  
English, French, German, Danish



**Char-Broil**

**GAS2COAL  
2 BURNER™**

MODEL NUMBER  
468301221  
468302221

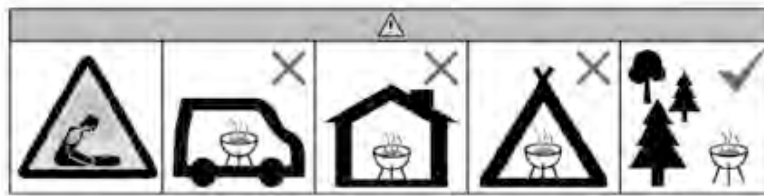


GB	Operating Instructions	3	Assembly Instructions	121
CH, FR	Mode d'emploi	10	Instructions d'assemblage	121
LU, AT, CH, DE	Betriebsanweisungen	17	Montageanweisungen	121
CH, IT	Istruzioni per l'uso	24	Istruzioni per il montaggio	121
LU, BE, NL	Gebruiksaanwijzingen	31	Montage-instructies	121
SE	Användning	37	Montering	121
FI	Käyttöohjeet	43	Kokoamisohjeet	121
ES	Instrucciones de funcionamiento	49	Instrucciones de armado	121
PT	Instuções para Operação	55	Instruções para Montagem	121
DK	Brugsanvisning	61	Monteringsvejledning	121
NO	Instruksjoner for bruk	67	Imontering	121
SK	Návod na používanie	73	Návod na montáž	121
IS	Notkunarlæðbeiningar	79	Smalamálsskipana	121
CZ	Návod k obsluze	85	Montážní návod	121
IL	הוראות הפעלה	91	הוראות הרכבה	121
RO	Instrucțiuni de utilizare	97	Instrucțiuni de asamblare	121
GR	Οδηγίες λειτουργίας	103	Οδηγίες συναρμολόγησης	121
HU	Használati utasítások	109	Szerelési útmutató	121
BG	Инструкции за работа	115	Инструкции за сглобяване	121



2531CS 0128





**GB**

Do not use the barbecue in a confined space and/or habitable space e.g. houses, tent, caravans, motor homes, boats. Danger of carbon monoxide poisoning fatality.

**FR**

N'utilisez pas le gril dans un espace confiné ou habitable, p. ex., dans une maison, une tente, une caravane, une caravane motorisée ou un bateau. Danger de mort par empoisonnement au monoxyde de carbone.

**DE**

Den Grill nicht in geschlossenen Räumen und/oder bewohnbaren Räumlichkeiten wiez. B. Häusern, Zelten, Wohnwagen, Wohnmobilen, Booten benutzen. Es besteht Todesgefahr durch Kohlenmonoxidvergiftung.

**IT**

Non utilizzare il barbecue in ambienti chiusi e/o locali abitabili, come abitazioni, tende, roulotte, case mobili, barche. Pericolo di avvelenamento da monossido di carbonio.

**NL**

Gebruik de barbecue niet in afgesloten en/of bewoonbare ruimtes, zoals bijvoorbeeld huizen, tenten, motorcaravans, campers en boten. Dodelijk gevaar voor koolmonoxidevergiftiging.

**SE**

Använd inte grillen i trånga utrymmen eller i boendetrymmen, som till exempel hus, tält, husvagnar, husbilar, båtar. Risk för kolmonoxidförgiftning.

**FI**

Älä käytä grilliä suljetussa tilassa ja / tai asuttavassa tilassa, esim. taloissa, teltoissa, asuntovaunuissa, matkailuautoissa, veneissä. Vaarana hiilimonoksidista johtuva myrkytyskuolema.

**ES**

No use la parrilla en un espacio confinado y/o espacio habitable, como p. ej. en casas, tiendas de camping, remolques, casas rodantes, botes, etc. Existe el peligro de muerte por envenenamiento con monóxido de carbono

**PT**

Não utilize o churrasco num espaço confinado e/ou habitado, por exemplo, casas, tendas, caravanas, autocaravanas, barcos. Perigo de morte por envenenamento com monóxido de carbono.

**DK**

Brug ikke grillen i et begrænset rum og/eller beboeligt rum f.eks. huse, telte, campingvogne, mobile huse, både. Fare for kulilteforgiftning.

**NO**

Ikke bruk grillen i lukkede områder eller innendørs, som for eksempel i hus, telt, campingvogn, bobil eller båt. Fare for dødelig karbonmonoksidforgiftning.

**SK**

Gril nikdy nepoužívejte v uzavretých priestoroch a/alebo obytných priestoroch ako dom, stan, karavan, obytný prívies, loď a pod. Môže dôjsť k ohrozeniu života v dôsledku otravy kysličníkom uhličitým.

**IS**

Ekki nota grillið í lokuðu rými og/eða íbúðarhæfu rými t.d. húsi, tjaldi, hjólhýsi, bifreiðum eða bátum. Hætta á kolmónoxíðseitrun.

**CZ**

Nepoužívejte gril v uzavřených prostorech nebo obydlích, například v domě, ve stanu, karavanu, v obytných vozech, na lodích. Hrozí nebezpečí smrtelné otravy oxidem uhelnatým.

**IL**

אין להשתמש בגריל במקום סגור ו/או בחלל שמשמש למגורים, כגון בית, אוהל, קרוואן, כלי רכב המשמש למגורים, סירה. קיימת סכנה להרעלת חממן חד חמצני שעלולה לגרום למוות.

**RO**

Nu utilizați grătarul în spații închise și/sau spații de locuit, precum în casă, în cort, în rulotă, autorulotă sau în barcă. Există pericolul letal de intoxicație cu monoxid de carbon.

**GR**

Μην χρησιμοποιείτε το μπάρμπεκιου σε περιορισμένο χώρο και / ή κατοικήσιμο χώρο, π.χ. σπίτια, σκηνή, τροχόσπιτα, μηχανοκίνητα σπίτια, βάρκες. Κίνδυνος θανάτου από δηλητηρίαση με μονοξείδιο του άνθρακα.

**HU**

Ne használja a grillt zárt térben és / vagy lakható térben, pl. házak, sátor, lakókocsik, motorházak, csónakok. A szénmonoxid mérgezés halálos kimenetelű veszélye.

**BG**

Не използвайте барбекю в затворено пространство и / или обитаема площ, напр. къщи, палатки, каравани, моторни къщи, лодки. Опасност от смъртност от отравяне с въглероден оксид.

## INSTALLER/ASSEMBLER:

Leave this manual with consumer.

## CONSUMER:

Keep this manual for future reference.

## Questions:

If you have questions during assembly or use of this appliance contact your local dealer.



## DANGER



If you smell gas:

1. Shut off gas to the appliance.
2. Extinguish any open flames.
3. Open lid.
4. If odor continues, keep away from the appliance and immediately call your gas supplier or your fire department.



## WARNING



1. Do not store or use petrol or other flammable liquids in the vicinity of this or any other appliance.
2. A gas cylinder not connected for use shall not be stored in the vicinity of this or any other appliance.



## CAUTION



- Read and follow all safety statements, assembly instructions and use and care directions before attempting to assemble and cook.
- Some parts may contain sharp edges. Wearing protective gloves is recommended.

### Grease Fires

- Putting out grease fires by closing the lid is not possible. Barbecues are well ventilated for safety reasons.
- Do not use water on a grease fire, Personal injury may result. If a persistent grease fire develops, turn knobs and gas cylinder off.
- If appliance has not been regularly cleaned, a grease fire can occur that may damage the product. Pay close attention while preheating or burning off food residue to insure that a grease fire does not develop. Follow instructions on general appliance cleaning and cleaning the burner assembly to prevent grease fires. The best way to prevent grease fires is regular cleaning of the appliance.
- Do not leave barbecue unattended while preheating or burning off food residue on HI. If barbecue has not been regularly cleaned, a grease fire can occur that may damage the product.



## WARNING



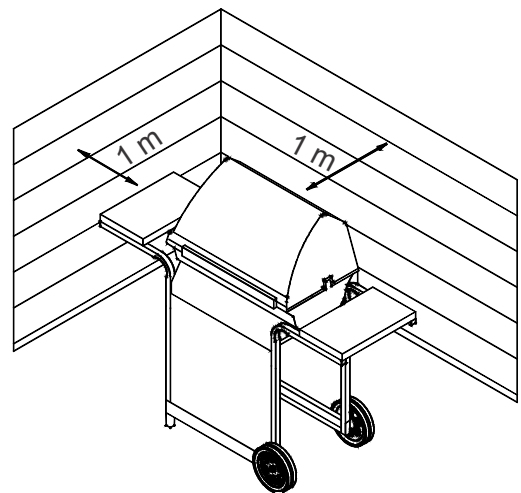
### For Safe Use of Your Appliance and to Avoid Serious Injury:

- **USE OUTDOORS ONLY. NEVER USE INDOORS.**

Read the instructions before using the appliance.

Always follow these instructions.

- Do not move the appliance during use.
- Accessible parts may be very hot. Keep young children away. Do not let children operate or play near appliance.
- Turn off the gas supply at the cylinder after use.
- This appliance must be kept away from flammable materials during use.
- Do not block holes in sides or back of appliance.
- Check burner flames regularly.
- Do not block venturi openings on burner.
- Use appliance only in well-ventilated space. NEVER use in enclosed space such as carport, garage, porch, covered patio, or under an overhead structure of any kind.
- **DO NOT** cover grates with aluminum foil or any other material. This will block burner ventilation and create a potentially dangerous condition resulting in property damage and/or personal injury.
- **Use appliance at least 1m from any wall or surface.**
- Maintain 3m clearance to objects that can catch fire or sources of ignition such as pilot lights on water heaters, live electrical appliances, etc.



- NEVER attempt to light burner with lid closed. A buildup of non-ignited gas inside a closed appliance is hazardous.
- Always turn off gas at cylinder and disconnect regulator before moving gas cylinder from specified operating position.
- Never operate appliance with gas cylinder out of correct position specified.
- Do not modify the appliance. Any modifications is strictly prohibited. Sealed parts are not to be manipulated by the user. Do not disassemble injectors.

## Safety Tips

- Before opening gas cylinder valve, check the regulator for tightness.
- When appliance is not in use, turn off all control knobs and gas.
- Use long-handled barbecue utensils and oven mitts to avoid burns and splatters. Use protective gloves when handling hot components.
- Maximum load for hot plate and side shelf is 4.5 Kg. Cooking vessel minimum dia 200mm and maximum dia. 260 mm.
- The grease cup (if equipped) must be inserted into appliance and emptied after each use. Do not remove grease cup until appliance has completely cooled.
- Be very careful when you open the lid, since hot steam may escape.
- Be very careful when children, the elderly, or pets are nearby.
- If you notice grease or other hot material dripping from appliance onto valve, hose or regulator, turn off gas supply at once. Determine the cause, correct it, then clean and inspect valve, hose, and regulator before continuing. Perform a leak test.
- Do not store objects or materials inside the appliance cart enclosure that would block the flow of combustion air to the underside of either the control panel or the firebox bowl.
- DO NOT disconnect or change gas container within 3m of an open flame or other ignition source.

## Cylinder Placement

Cylinder of 6 kg or less may be placed on the ground under the side shelf or inside the appliance in place provided. Larger cylinders are to be placed under side shelf or behind the barbecue only. Cylinders placed in the appliance shall have a maximum diameter of 345mm and maximum height of 430mm. Cylinders placed on the ground shall not be placed under the hot plate.

## Regulator Requirements

A regulator must be used with this appliance. Use only gas regulator supplied with your barbecue. If a regulator is not supplied then use only regulator certified according to EN16129 (Flow rate max. 1.5 kg/h) and approved for your country and gas specified in Technical Data. You must use a gas tank that is compatible with your regulator.

## Hose Requirements

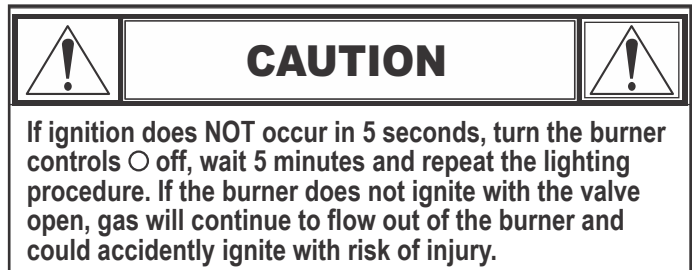
Use only approved hose which is certified to appropriate EN standard and does not exceed 1.5m length. For Finland, the hose length shall not exceed 1.2m.

Before each use, check to see if hoses are cut or worn. Make sure hose is not kinked. Make sure that when connected hose does not touch any warm surfaces. Replace damaged hoses before using appliance. Replace hose as required by national requirements.

The barbecue has to be installed on a secure level base prior to use.

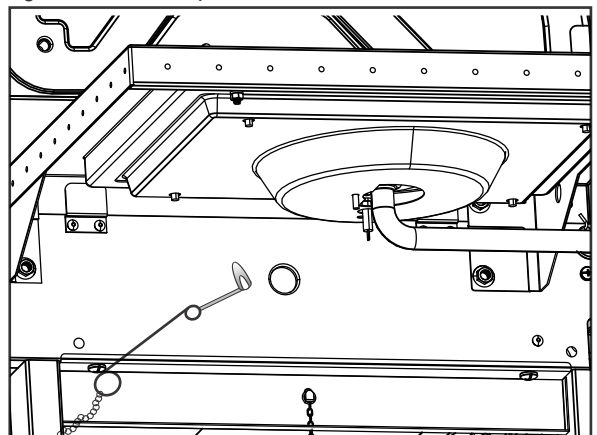
## Gas Lighting Instructions- Ignitor Lighting

- **Do not lean over barbecue while lighting.**
  1. Turn gas burner control valves to ○ (off).
  2. Open lid during lighting or re-lighting.
  3. Turn ON gas at LP cylinder.
  4. To ignite, push and turn IGNITION BURNER ↙ knob to 🔻 HIGH. Immediately, push and hold ELECTRONIC IGNITOR button until the burner lights.
  5. If ignition does NOT occur in 5 seconds, turn the burner controls off ○, wait 5 minutes and repeat the lighting procedure.
  6. To ignite remaining burners, turn knob to the 🔻 HIGH position starting with the burners closest to IGNITION BURNER ↙ first.



## Match-Lighting

- **Do not lean over barbecue while lighting.**
  1. Turn gas burner control valves to ○ (off).
  2. Open lid during lighting or re-lighting.
  3. Turn ON gas at LP cylinder.
  4. Place match into match holder (hanging from side panel of barbecue). Light match; then light burner by placing match through the match light hole on side of barbecue. Immediately push in and turn burner knob to the 🔻 HIGH position. Be sure burner lights and stays lit.
  5. Light adjacent burners in sequence by pushing knobs in and turning to the 🔻 HIGH position.



**NOTE: Your barbecue may NOT be equipped with a Hot plate!**

### Hot plate Ignitor Lighting

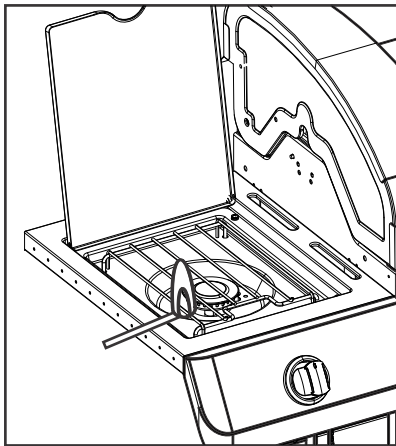
• **Do not lean over barbecue while lighting.**

1. Turn gas burner control valves to ○ (off).
2. Open lid during lighting or re-lighting.
3. Turn ON gas at LP cylinder.
4. Turn hot plate knob to the 🔥 HIGH position, push and hold **ELECTRONIC IGNITOR** button.
5. If hot plate does NOT light within 5 seconds, turn knob to ○ (off), wait 5 minutes, then repeat lighting procedure.

### Hot plate Match Lighting

• **Do not lean over barbecue while lighting.**

1. Turn gas burner control valves to ○ (off).
2. Open lid during lighting or re-lighting.
3. Turn ON gas at LP cylinder.
4. Place lit match near burner. Immediately turn hot plate knob to the 🔥 HIGH position. Be sure burner lights and stays lit.



### Leak Testing Valves, Hose and Regulator

Leak test before first use, at least once a year, and every time the cylinder is changed or disconnected.

1. Turn all appliance control knobs to ○.
2. Be sure regulator is tightly connected to gas cylinder.
3. Turn on Gas. If you hear a rushing sound, turn gas off immediately. There is a major leak at the connection. Correct before proceeding.
4. Brush soapy solution (mixture of half soap and half water) onto hose connections.
5. If growing bubbles appear, there is a leak. Turn off gas at cylinder immediately and check tightness of connections. If leak cannot be stopped do not try to repair. Call for replacement parts.
6. Always turn off gas at cylinder after performing leak test.

### IF APPLIANCE FAILS TO LIGHT

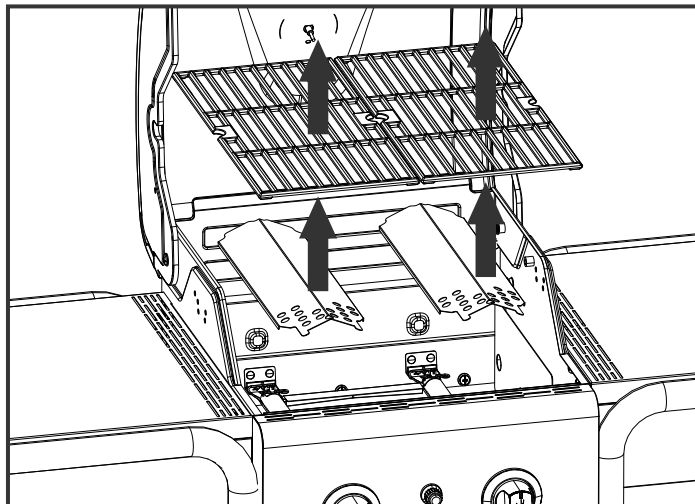
- Make sure gas is turned on at cylinder.
- Make sure there is gas in the cylinder.
- Does the ignitor make a sparking noise?
  - If yes check for spark at burner.
  - If no spark check for damaged or loose wires.
- If wires are OK check for cracked or broken electrode, replace if needed.
- If wire or electrodes are covered by cooking residue, clean electrode tip with alcohol wipe if needed.
- If needed replace wires.
- If no sound check battery.
- Make sure battery is installed correctly.
- Check for loose wire connection at module and switch.
- If ignitor continues to not work then use match.

	<b>CAUTION</b>	
<b>SPIDER ALERT!</b>		
<b>SPIDER AND WEBS INSIDE BURNER</b>		
		
<p>If your barbecue is getting hard to light or the flame is weak, check and clean the venturis and burners.</p>		
<p>Spiders or small insects are known to create “flashback” problems by building nests and laying eggs in the barbecue’s venturi or burner obstructing the flow of gas. The backed-up gas can ignite behind the control panel. This flashback can damage your barbecue and cause injury. To prevent flashbacks and ensure good performance, the burner and venturi tube assembly should be removed and cleaned whenever the barbecue has been idle for an extended period of time.</p>		

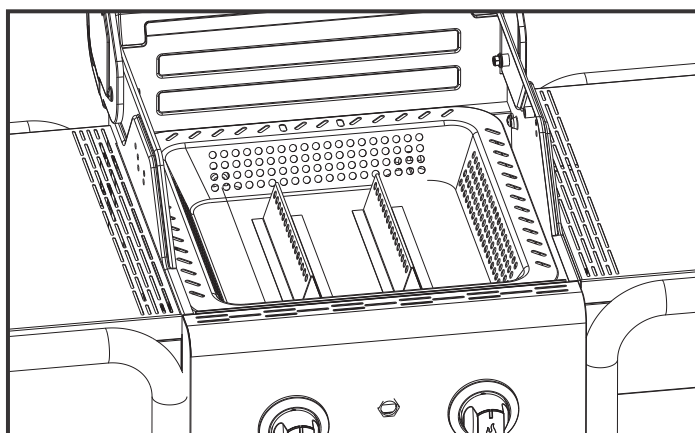
## Charcoal Lighting Instructions

1. With a cold barbecue, remove cooking grates and heat tents.
2. Place charcoal tray in barbecue.
3. Place single layer of charcoal in tray, 0.9 kg. maximum.
4. Replace cooking grates.
5. With lid open, ignite burners using **Gas Lighting Instructions**.
6. Operate gas burners on 🔻 HIGH for 15 minutes with lid closed.
7. Turn controls knobs to ○ (off).
8. Open lid and wait 5 minutes, or until the charcoal turns white, before adding food.
9. Do not cook before fuel has a coating of ash.

**NOTE:** The barbecue should be heated up and the fuel kept red hot for at least 30 minutes prior to your first cook.



Remove Cooking Grates and Heat Tents



Proper Charcoal Tray Placement

	<b>WARNING</b>	
<ul style="list-style-type: none"><li>• Do not operate gas burners for more than 15 minutes when using charcoal.</li><li>• <b>WARNING!</b> Do not use spirit or petrol for lighting or re-lighting! Use only firelighters complying to EN1860-3!</li><li>• Never use lighter fluid, kerosene, gasoline or alcohol to light charcoal.</li><li>• Never use wood chunks or instant light in your barbecue.</li><li>• Start charcoal <b>ONLY</b> with charcoal tray properly placed in the firebox. See figure.</li><li>• Remove charcoal tray from firebox and store when using as a gas only barbecue.</li><li>• Do not operate gas burner with charcoal tray installed in the firebox without charcoal.</li></ul>		

	<b>WARNING</b>	
<p><b>CARBON MONOXIDE HAZARD:</b> Burning charcoal inside can kill you. It gives off carbon monoxide, which has no odor. NEVER burn charcoal inside homes, vehicles, or tents.</p>		

	<b>WARNING</b>	
<p>After a charcoal fire appears extinguished, unconsumed embers can retain heat for up to 24 hours, and if fresh air, can burst into flame unexpectedly. Any such embers outside the firebox of the barbecue pose a fire hazard and exposed to can ignite combustible surfaces such as wooden decks.</p>		

## Cleaning Recommendations

- Clean up of the barbecue after each charcoal use is required.
- Make sure coals are completely extinguished and the unit has adequately cooled before cleaning.
- Removed charcoal tray and clean out all ashes.

**Note:** After use, the charcoal tray may discolor. This is normal during use.

## Cleaning the Burner Assembly

Follow these instructions to clean and/or replace parts of burner assembly or if you have trouble igniting barbecue.

1. Turn gas off at control knobs and LP cylinder.
2. Remove cooking grates and heat tents.
3. Remove carryover tubes and hardware securing burners.
4. Detach electrode from burner.

**NOTE:** Removal/Detachment method will depend on the burner configuration. See different configurations in illustrations below.

5. Carefully lift each burner up and away from valve openings.

We suggest three ways to clean the burner tubes. Use the one easiest for you.

- A. Bend a stiff wire (a light weight coat hanger works well) into a small hook. Run the hook through each burner tube several times.



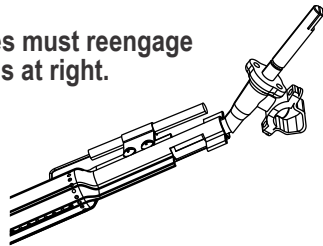
- B. Use a narrow bottle brush with a flexible handle (do not use a brass wire brush). Run the brush through each burner tube several times.

- C. **Wear eye protection:** Use an air hose to force air into the burner tube and out the burner ports. Check each port to make sure air comes out each hole.

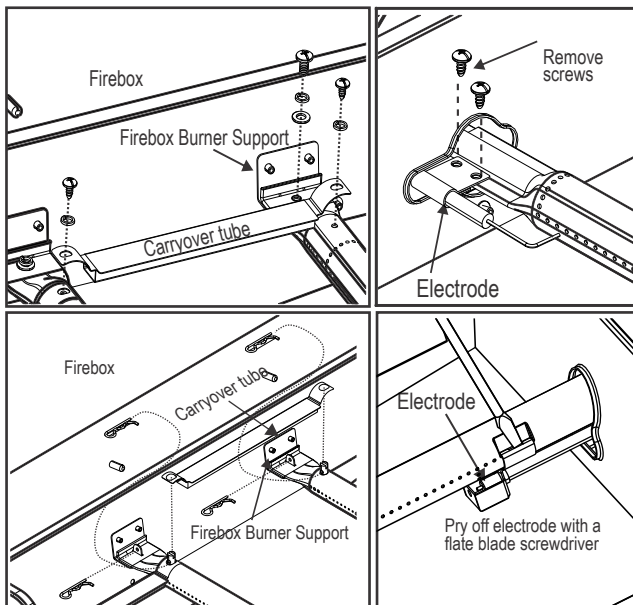
6. Wire brush entire outer surface of burner to remove food residue and dirt.
7. Clean any blocked ports with a stiff wire such as an open paper clip.
8. Check burner for damage due to normal wear and corrosion, some holes may become enlarged. If any large cracks or holes are found, replace burner.

**VERY IMPORTANT:** Burner tubes must reengage valve openings. See illustrations at right.

**Correct burner-to-valve engagement**



9. Attach electrode to burner.
10. Carefully replace burners.
11. Attach burners to brackets on firebox.
12. Reposition carryover tubes and attach to burners. Replace heat tents and cooking grates.
13. Before cooking again on barbecue, perform a "Leak Test" and "Burner Flame Check".



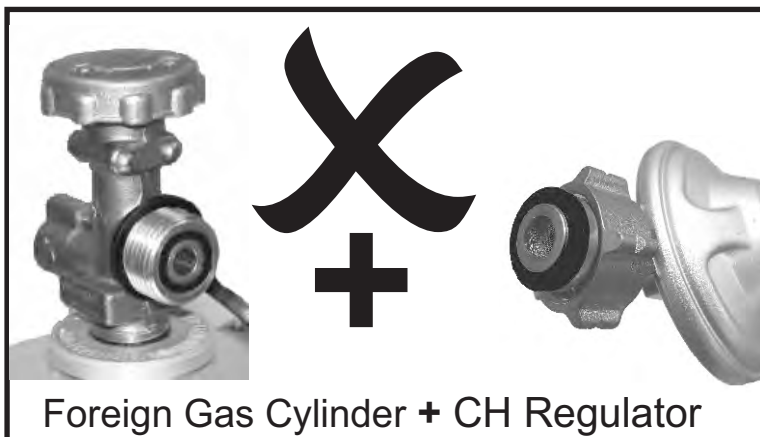
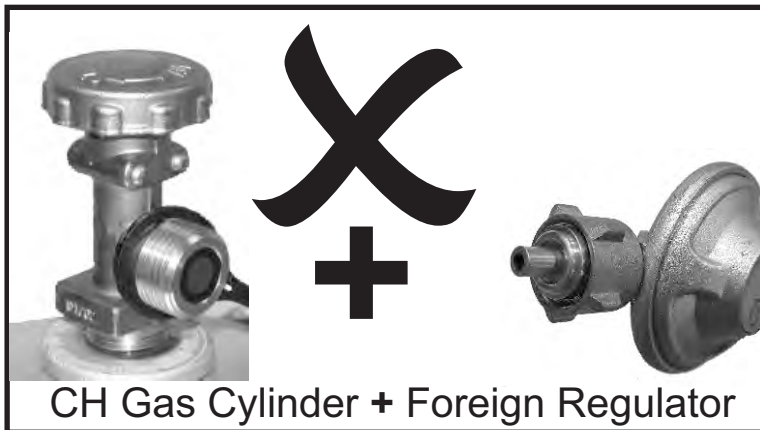
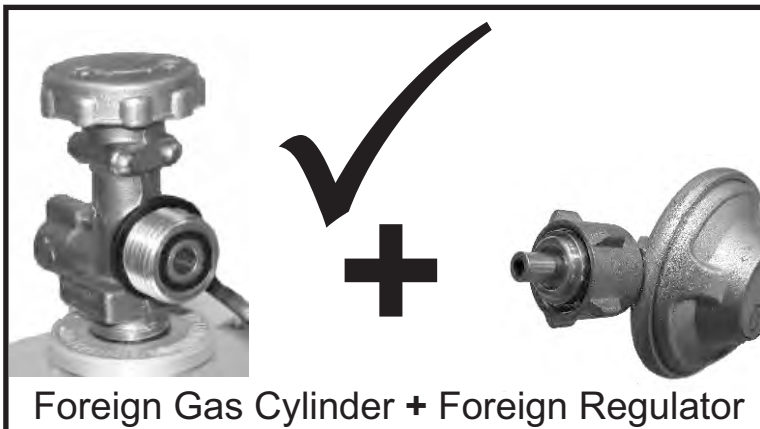
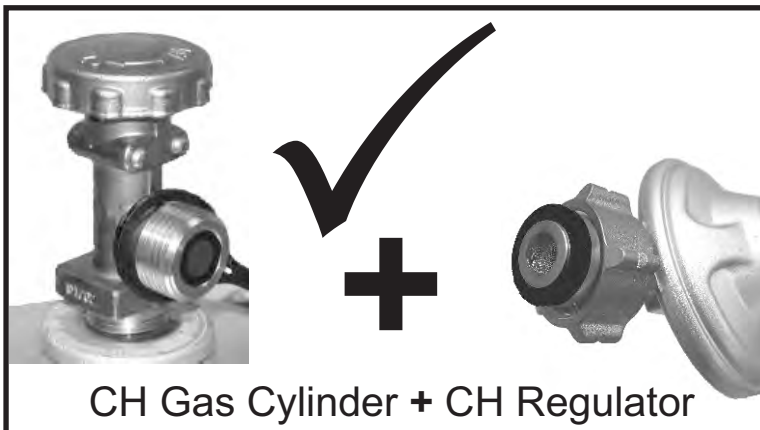
## Storing Your Appliance

- Clean cooking grates.
- Store in dry location.
- When gas cylinder is connected to appliance, store outdoors in a well-ventilated space and out of reach of children.
- Cover appliance if stored outdoors.
- Store appliance indoors ONLY if gas cylinder is turned off and disconnected, removed from appliance and stored outdoors.
- When removing appliance from storage check for burner obstructions.

## General Appliance Cleaning

- Clean appliance often, preferably after each cookout. If a bristle brush is used to clean any of the appliance cooking surfaces, ensure no loose bristles remain on cooking surfaces prior to barbecuing. It is not recommended to clean cooking surface while appliance is hot. Appliance should be cleaned at least once a year.
- Do not mistake brown or black accumulation of grease and smoke for paint. Interiors of gas barbecues are not painted at the factory (and should never be painted). Apply a strong solution of detergent and water or use a appliance cleaner with scrub brush on insides of appliance lid and bottom. Rinse and allow to completely air dry. Do not apply caustic appliance/oven cleaner to painted surfaces.
- Plastic parts: Wash with warm soapy water and wipe dry.
  - Do not use citrisol, abrasive cleaners, degreasers or a concentrated appliance cleaner on plastic parts. Damage to and failure of parts can result.
- Porcelain surfaces: Because of glass-like composition, most residue can be wiped away with baking soda/water solution or specially formulated cleaner. Use nonabrasive scouring powder for stubborn stains.
- Painted surfaces: Wash with mild detergent or nonabrasive cleaner and warm soapy water. Wipe dry with a soft nonabrasive cloth.
- Stainless steel surfaces: To maintain your appliance's high quality appearance, wash with mild detergent and warm soapy water and wipe dry with a soft cloth after each use. Baked-on grease deposits may require the use of an abrasive plastic cleaning pad. Use only in direction of brushed finish to avoid damage. Do not use abrasive pad on areas with graphics.
- Cooking surfaces: If a bristle brush is used to clean any of the appliance cooking surfaces, ensure no loose bristles remain on cooking surfaces prior to barbecuing. It is not recommended to clean cooking surfaces while appliance is hot.

# IMPORTANT! PLEASE READ!



A regulator must be used with this appliance. Use only the gas regulator supplied with your barbecue. If a regulator is not supplied then use only a regulator certified according to EN16129 (Flow rate max. 1.5 kg/h) and approved for your country and gas specified in Technical Data.

## **For Switzerland Only**

There is a danger of fire and explosion with gas appliances which are equipped with foreign pressure regulators and are not compatible with the gas tanks and gas regulators available in Switzerland

Due to the different sealing systems, it is impossible to properly seal the regulator to the gas tank. Gas will escape here and can be ignited by flame or sparks. A life-threatening explosion, and/or property damage can result. Swiss and German tanks and regulators cannot be intermixed.

For safety reason, please check your grill regulator and gas tank connection and make sure it follows in one of the allowed cases shown in the pictures.

Perform a leak check each time you connect your grill to the gas tank.



TECHNICAL DATA  
CHAR-BROIL, GmbH

Appliance Name	Gas Barbeque/Gas Grill			
Total Nominal Heat Input	8,2 kW (597 g/h)			
Gas Category	I3+(28-30/37)	I3B/P(30)	I3B/P(50)	
Model No.	468301221			468302221
Gas Type	Butane	Propane	Butane, Propane or their mixtures	Butane, Propane or their mixtures
Gas Pressure	28-30 mbar	37 mbar	28-30 mbar	50 mbar
Injector Size (Dia. mm)	Barbecue: 1,04 x 2 pcs		Barbecue: 1,04 x 2 pcs	Barbecue: 0,92 x 2 pcs
Destination Countries	GB, FR, BE, ES, IT, PT, CZ, SK, CH, CY, GR, IE, LT, LU, LV, SI		DK, NO, NL, SE, FI, IS, CZ, IT, SK, BG, CY, EE, HR, HU, LT, LU, LV, MT, RO, SI, TR	AT, DE, CH, LU, SK
Electrical Supply	1.5VDC Battery			

## WARNING!

Most surfaces on this unit are hot when in use. Use extreme caution. Keep others away from unit. Always wear protective clothing to prevent injury or burning..

Do not move this unit during operation.

Never substitute gasoline, kerosene or alcohol for charcoal starter. In this case, paraffin-based starter cubes can be substituted for charcoal starter. Never use charcoal starter fluid with an electric starter.

Do not use this unit on or near combustible surfaces or structures such as wood decks, dry leaves or grass, vinyl or wood siding, etc.

After a charcoal fire appears extinguished, unconsumed embers can retain heat for up to 24 hours, and if exposed to fresh air, can burst into flame unexpectedly. Any such embers outside the firebox of the barbecue pose a fire hazard and can ignite combustible surfaces such as wooden decks.

Failure to follow all manufacturer's instructions could result in serious personal injury and/or property damage.

### **CARBON MONOXIDE HAZARD**

Burning charcoal inside can kill you. It gives off carbon monoxide, which has no odor. NEVER burn charcoal inside homes, vehicles, or tents.

**Do not cook before the fuel has a coating ash.**

**WARNING! - this barbecue will become very hot, DO NOT move it during operation.**

**Do not use indoors.**

**WARNING! DO NOT use spirit or petrol for lighting or re-lighting! Use only firelighters complying to EN 1860-3!**

**WARNING! Keep children and pets away.**

**FAILURE TO READ AND FOLLOW INSTRUCTIONS FOR LIGHTING CHARCOAL MAY RESULT IN SERIOUS PERSONAL INJURY AND OR PROPERTY DAMAGE.**

**ALWAYS USE CAUTION WHEN HANDLING HOT COALS TO PREVENT INJURY.**

**ALWAYS LIGHT THE FIRE WITH THE BARBECUE LID OPEN.**

## INSTALLATEUR/ASSEMBLEUR :

Remettez ce manuel au consommateur.

## CONSUMMATEUR :

Conservez ce manuel pour référence ultérieure.

### Questions :

Si vous avez des questions pendant l'assemblage ou l'utilisation de cet appareil, contactez votre revendeur local.



## DANGER

Si vous sentez une odeur de gaz:

1. Coupez l'alimentation en gaz de l'appareil.
2. Éteignez toute flamme nue.
3. Ouvrez le couvercle.
4. Si l'odeur persiste, tenez-vous à l'écart de l'appareil et appelez immédiatement votre fournisseur de gaz ou la caserne de pompiers la plus proche.



## AVERTISSEMENT

1. N'entreposez pas ou n'utilisez pas de l'essence ou d'autres liquides inflammables à proximité de cet appareil ou de tout autre appareil.
2. Une bonbonne de gaz non raccordée ne doit pas être entreposée à proximité de cet appareil ou de tout autre appareil.



## MISE EN GARDE

- Lisez et suivez toutes les consignes de sécurité, les instructions d'assemblage et consignes d'utilisation et d'entretien avant d'essayer d'assembler et de cuisiner.
- Certaines pièces peuvent contenir des rebords tranchants. Il est recommandé de porter des gants de protection.

### Feux de graisse

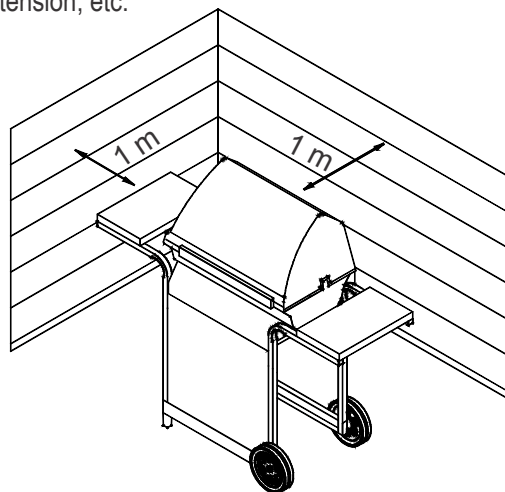
- Il n'est pas possible d'éteindre les feux de graisse en fermant le couvercle. Les barbecues sont bien ventilés pour des raisons de sécurité.
- N'utilisez pas d'eau sur un feu de graisse, cela peut entraîner des blessures. Si un feu de graisse persistant se développe, fermez les boutons de réglage et la bonbonne de gaz.
- Si l'appareil n'a pas été nettoyé régulièrement, un feu de graisse peut se produire et il pourrait endommager le produit. Faites particulièrement attention pendant le préchauffage ou lorsque vous brûlez des résidus alimentaires pour vous assurer qu'un feu de graisse ne démarre pas. Suivez les instructions sur le nettoyage général de l'appareil et sur le nettoyage de l'ensemble du brûleur pour éviter les feux de graisse. La meilleure façon d'éviter les feux de graisse est de nettoyer régulièrement l'appareil.
- Ne laissez pas le barbecue sans surveillance pendant le préchauffage ou lorsque vous brûlez des résidus alimentaires sur HI. Si le barbecue n'a pas été nettoyé régulièrement, un feu de graisse peut se produire et il pourrait endommager le produit.



## AVERTISSEMENT

### Pour une utilisation sûre de l'appareil et afin d'éviter de graves blessures :

- **UTILISEZ UNIQUEMENT À L'EXTÉRIEUR. NE L'UTILISEZ JAMAIS À L'INTÉRIEUR.** Lisez les instructions avant d'utiliser l'appareil. Suivez toujours ces instructions.
- Ne déplacez pas l'appareil pendant son utilisation.
- Les parties accessibles peuvent être très chaudes. Tenez les enfants en bas âge à l'écart. Ne laissez pas les enfants manipuler ou jouer près de l'appareil.
- Coupez l'alimentation en gaz au niveau de la bonbonne de gaz après utilisation.
- Cet appareil doit être tenu à l'écart des matières inflammables pendant l'utilisation.
- N'obstruez pas les trous dans les côtés ou à l'arrière de l'appareil.
- Vérifiez régulièrement les flammes des brûleurs.
- N'obstruez pas les ouvertures venturi sur le brûleur.
- Utilisez l'appareil uniquement dans des espaces bien ventilés. Ne l'utilisez JAMAIS dans un espace clos comme un abri pour voiture, un garage, un porche, une terrasse couverte ou sous une structure suspendue de toute sorte.
- N'utilisez pas de briquettes en charbon de bois ou en céramique dans un appareil à gaz.
- NE COUVREZ PAS les grilles avec du papier aluminium ou tout autre matériau. Cela bloquera la ventilation du brûleur et créera un environnement potentiellement dangereux pouvant causer des dégâts matériels et/ou des blessures.
- Utilisez l'appareil à au moins 1 m de tout mur ou de toute surface.
- Maintenez un espace de 3 m avec les objets qui peuvent s'enflammer ou des sources d'ignition comme des voyants lumineux sur les chauffe-eau, des appareils électriques sous tension, etc.



- Ne tentez JAMAIS d'allumer un brûleur avec le couvercle fermé. Une accumulation de gaz non allumé à l'intérieur d'un appareil fermé est dangereuse.
- Coupez toujours le gaz au niveau de la bonbonne et déconnectez le régulateur avant de déplacer la bonbonne de gaz de sa position.
- N'utilisez jamais l'appareil avec une bonbonne de gaz en dehors de sa bonne position.
- Ne modifiez pas l'appareil. Toute modification est strictement interdite. Les parties soudées ne doivent pas être manipulées par l'utilisateur. Ne démontez pas les injecteurs.

## Conseils de sécurité

- Avant d'ouvrir la vanne du gaz, vérifiez l'étanchéité du régulateur.
- Lorsque l'appareil n'est pas en cours d'utilisation, fermez tous les boutons de commande ainsi que le gaz.
- Utilisez des ustensiles de barbecue à long manche et des gants de cuisine pour éviter les brûlures et les éclaboussures. Utilisez des gants de protection lorsque vous manipulez des composants chauds.
- Diamètre minimum de 200 mm et diamètre maximum de 260 mm pour le récipient de cuisson.
- Le récipient à graisse (si équipé) doit être inséré dans l'appareil et vidé après chaque utilisation. Ne retirez pas le récipient à graisse tant que l'appareil n'a pas complètement refroidi.
- Soyez très prudent lorsque vous ouvrez le couvercle, puisque de la vapeur chaude peut s'échapper
- Soyez très prudent lorsque des enfants, des personnes âgées ou des animaux domestiques sont à proximité
- Si vous remarquez de la graisse ou toute autre matière chaude qui coule sur la vanne, le tuyau ou le régulateur, coupez toute l'alimentation en gaz. Déterminez la cause, corrigez-la, puis nettoyez et vérifiez la soupape, le tuyau et le régulateur avant de continuer. Effectuez un test d'étanchéité.
- N'entreposez pas d'objets ou de matériaux à l'intérieur du chariot de l'appareil qui pourraient bloquer la circulation de l'air de combustion vers le dessous du panneau de commande ou de la chambre de combustion.
- NE déconnectez ou NE changez PAS la bonbonne de gaz à moins de 3 m d'une flamme nue ou de toute autre source d'ignition.

### Position de la bonbonne

Une bonbonne de 6 kg ou moins peut être posée au sol sous le plateau latéral ou à l'intérieur de l'appareil. Les plus grosses bonbonnes doivent être placées sous le plateau latéral ou uniquement derrière le barbecue. Les bonbonnes placées dans l'appareil devront avoir un diamètre maximum de 345 mm et une hauteur maximale de 430 mm. Les bonbonnes posées au sol ne doivent pas être placées sous la plaque chauffante.

### Exigences relatives au régulateur

Un régulateur doit être utilisé avec cet appareil. N'utilisez que le régulateur de gaz fourni avec votre barbecue. Si un détendeur n'est pas fourni, utilisez uniquement un détendeur certifié conforme à la norme EN16129 (débit max. 1,5 kg / h) et approuvé pour votre pays et le gaz spécifié dans les données techniques. Vous devez utiliser une bouteille de gaz à essence compatible avec votre régulateur.

### Exigences relatives au tuyau

Utilisez uniquement un tuyau approuvé qui est certifié selon les normes EN et qui ne dépasse pas 1,5 m de long. Pour la Finlande, la longueur du tuyau ne doit pas dépasser 1,2 m. Avant chaque utilisation, vérifiez si les tuyaux sont coupés ou usés. Assurez-vous que le tuyau n'est pas entortillé. Assurez-vous qu'une fois connecté, le tuyau ne touche aucune surface chaude. Remplacez les tuyaux endommagés avant d'utiliser l'appareil. Remplacez le tuyau tel que requis par les exigences nationales.

Le barbecue doit être installé sur une base de niveau sécurisée avant utilisation.

## Éclairage de gaz instructions- Allumage

- **Ne vous penchez pas au-dessus du barbecue en procédant à l'allumage.**

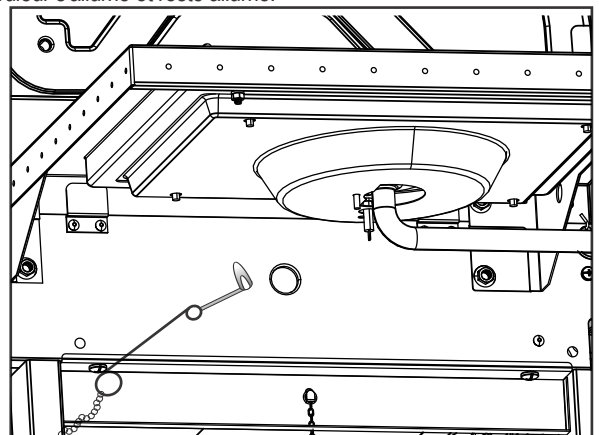
1. Tournez les vannes de régulation du brûleur en position ○ (off).
2. Ouvrez le couvercle pendant l'allumage ou la nouvelle tentative d'allumage.
3. Ouvrez le gaz de la bonbonne GPL.
4. Pour allumer, poussez et tournez le bouton ONDULEUR d'ALLUMAGE à HAUT ↕. Immédiatement, appuyez et maintenez enfoncé le bouton ELECTRONIC IGNITOR jusqu'à ⚡ ce que le brûleur s'allume.
5. S'il n'y a PAS d'allumage dans les 5 secondes, mettez les boutons de commande du brûleur vers la position ○, attendez 5 minutes et répétez la procédure d'allumage.
6. Pour allumer les autres brûleurs, tournez le bouton de commande ↕ vers la position HIGH, en commençant d'abord avec les brûleurs les plus proches du BRÛLEUR D'ALLUMAGE ⚡.

⚠	<b>AVERTISSEMENT</b>	⚠
<b>Fermez les boutons de commande et la bonbonne de gaz lorsque vous.</b>		
⚠	<b>MISE EN GARDE</b>	⚠
<b>S'il n'y a PAS d'allumage dans les 5 secondes, mettez les boutons de commande en position ○ (off), attendez 5 minutes et répétez la procédure d'allumage. Si le brûleur ne s'allume pas avec la vanne ouverte, le gaz continuera de s'échapper du brûleur et pourrait accidentellement s'enflammer et causer des blessures.</b>		

### Allumage par allumette

- **Ne vous penchez pas au-dessus du barbecue en procédant à l'allumage.**

1. Tournez les vannes de régulation du brûleur en position ○ (off).
2. Ouvrez le couvercle pendant l'allumage ou la nouvelle tentative d'allumage.
3. Ouvrez le gaz de la bonbonne GPL.
4. Placez l'allumette dans le porte-allumettes (qui est suspendu au panneau latéral du barbecue). Allumez l'allumette ; puis allumez le brûleur en plaçant l'allumette à travers le trou d'allumage par allumette sur le côté du barbecue. Appuyez immédiatement sur le bouton du brûleur et tournez-le vers la ↕ position HIGH. Assurez-vous que le brûleur s'allume et reste allumé.



**REMARQUE: Votre barbecue peut ne PAS être équipé d'une plaque chauffante!**

### Dispositif d'allumage de la plaque chauffante

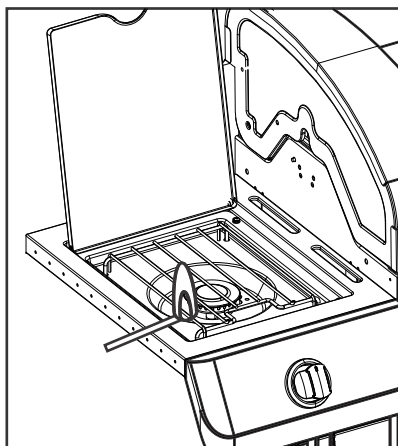
• **Ne vous penchez pas au-dessus du barbecue en procédant à l'allumage.**

1. Tournez les vannes de régulation du brûleur en position ○ (off).
2. Ouvrez le couvercle pendant l'allumage ou la nouvelle tentative d'allumage.
3. Ouvrez le gaz de la bonbonne GPL.
4. Tournez le bouton de la plaque chauffante vers la position 🔥 HIGH, appuyez et maintenez le bouton d'**ALLUMAGE ÉLECTRONIQUE**.
5. Si la plaque chauffante ne s'allume PAS dans les 5 secondes, tournez le bouton ○ vers la position (off), attendez 5 minutes, puis répétez la procédure d'allumage.

### Allumage de la plaque chauffante par allumette

• **Ne vous penchez pas au-dessus du barbecue en procédant à l'allumage.**

1. Tournez les vannes de régulation du brûleur en position ○ (off).
2. Ouvrez le couvercle pendant l'allumage ou la nouvelle tentative d'allumage.
3. Ouvrez le gaz de la bonbonne GPL.
4. Placez l'allumette allumée près du brûleur. Tournez immédiatement le bouton de la plaque chauffante vers la position 🔥 HIGH. Assurez-vous que le brûleur s'allume et reste allumé.



### Test d'étanchéité des vannes, du tuyau et du régulateur

Effectuez un test d'étanchéité avant la première utilisation, au moins une fois par an et à chaque fois que vous changez ou déconnectez la bonbonne.

1. Mettez tous les boutons de commande en position ○.
2. Assurez-vous que le régulateur est solidement relié à la bonbonne de gaz.
3. Ouvrez le gaz. Si vous entendez un bruit strident, coupez immédiatement le gaz. Il y a une fuite importante au niveau du raccordement. Corrigez avant de poursuivre.
4. Passez une solution savonneuse (mélange constitué à moitié de savon et à moitié d'eau) sur les raccords des tuyaux.
5. Si des bulles apparaissent, il y a une fuite. Coupez immédiatement le gaz au niveau de la bonbonne et vérifiez l'étanchéité des raccordements. Si la fuite ne peut pas être arrêtée, n'essayez pas de la réparer. Appelez pour obtenir des pièces de rechange.
6. Coupez toujours le gaz au niveau de la bonbonne après avoir effectué le test de fuite.

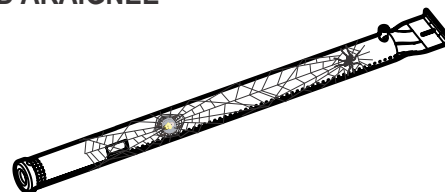
### SI L'APPAREIL NE S'ALLUME PAS

- Assurez-vous que la bonbonne de gaz est ouverte.
- Vérifiez qu'il y a du gaz dans la bonbonne.
- L'allumeur fait-il un bruit d'étincelles? Si oui, vérifiez s'il y a des étincelles au niveau du brûleur.
- S'il n'y a pas d'étincelles, vérifiez s'il y a des câbles endommagés ou lâches.
- Si les câbles sont en bon état, vérifiez s'il y a une électrode fendue ou cassée, procédez à un remplacement si nécessaire.
- Si les câbles ou les électrodes sont couverts par des résidus de cuisson, nettoyez la pointe de l'électrode à l'aide d'un chiffon imbibé d'alcool, si nécessaire.
- Au besoin, remplacez les câbles.
- S'il n'y a pas de bruit, vérifiez la batterie.
- Assurez-vous que la batterie est correctement installée.
- Vérifiez s'il y a des connexions lâches des câbles au niveau du module et de l'interrupteur.
- Si l'allumeur continue à ne pas fonctionner, utilisez une allumette.



### ALERTE CONTRE LES ARAIGNÉES !

#### ARAIGNÉES ET TOILES D'ARAIGNÉE



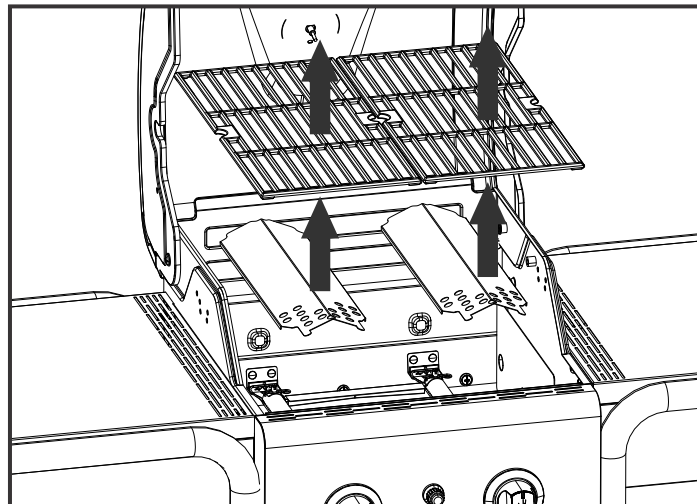
Si votre barbecue s'allume difficilement ou si la flamme est faible, vérifiez et nettoyez les brûleurs et les venturis.

Des araignées ou de petits insectes sont connus pour créer des problèmes de retour de flamme en construisant des nids et en pondant des œufs dans le venturi ou le brûleur du barbecue, obstruant la circulation du gaz. Le gaz bloqué peut s'enflammer derrière le panneau de commande. Ce retour de flamme peut endommager votre barbecue et causer des blessures. Pour éviter les retours de flamme et garantir de bonnes performances, le brûleur et l'ensemble tube venturi doivent être retirés et nettoyés à chaque fois que le barbecue reste inutilisé pendant une longue période.

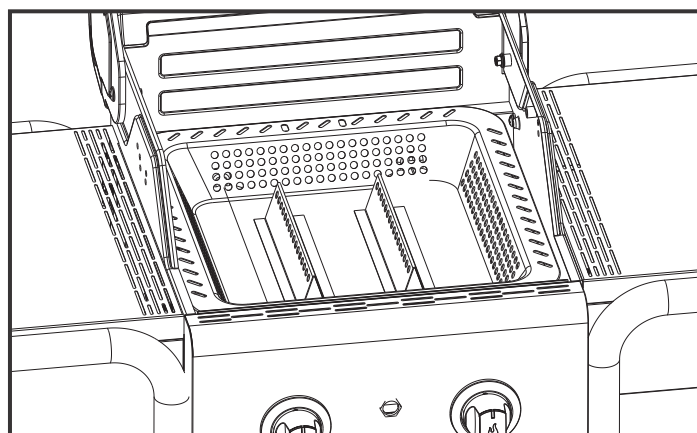
## Instructions d'allumage du charbon

1. Vérifiez que le barbecue est, retirez les grilles de cuisson.
2. Placez le plateau à charbon dans le barbecue.
3. Placez une seule couche de charbon sur le plateau, 0,9 kg au maximum..
4. Remplacez les grilles de cuisson.
5. En laissant le couvercle ouvert, allumez les brûleurs en suivant les **Instructions d'allumage au gaz**.
6. Faites fonctionner les brûleurs en position **HIGH** pendant 15 minutes avec le couvercle fermé.
7. Mettez tous les boutons de commande en position **O** (off).
8. Ouvrez le couvercle et attendez 5 minutes, ou jusqu'à ce que le charbon devienne blanc, avant d'y ajouter des aliments.
9. Ne pas cuire avant que le carburant ait un revêtement de cendres.


**REMARQUE:** Le barbecue doit être chauffé et le carburant doit rester au chaud pendant au moins 30 minutes avant la première cuisson.



Retirer les grilles de cuisson et les tentes chauffantes



Bon positionnement du plateau à charbon



**AVERTISSEMENT**



- Ne faites pas fonctionner les brûleurs à gaz pendant plus de 15 minutes lorsque vous utilisez du charbon.
- N'utilisez jamais d'essence à briquet, de kérosène, d'essence ou d'alcool pour allumer du charbon.
- Attention! Ne pas utiliser d'alcool, d'essence ou tout autre liquide analogue pour allumer ou réactiver le barbecue
- N'utilisez jamais de morceaux de bois ou de produit à allumage instantané dans votre barbecue.
- Allumez le charbon **UNIQUEMENT** lorsque le plateau à charbon est correctement positionné dans la chambre de combustion. Voir la figure.
- Retirez le plateau à charbon de la chambre de combustion et rangez-le si vous utilisez uniquement le barbecue avec du gaz.
- N'activez pas le brûleur à gaz si le plateau à charbon est installé dans la chambre de combustion sans charbon.



**AVERTISSEMENT**



**RISQUE D'INTOXICATION PAR MONOXYDE DE CARBONE**  
Faire brûler du charbon à l'intérieur peut être mortel. Il dégage du monoxyde de carbone qui n'a aucune odeur. Ne brûlez **JAMAIS** du charbon à l'intérieur d'un domicile, de véhicules ou de tentes.



**AVERTISSEMENT**



Lorsqu'un feu de charbon semble éteint, les braises ardentes peuvent conserver la chaleur pendant 24 heures et, si de l'air frais circule, elles peuvent soudainement s'enflammer. Toute braise ardente à l'extérieur de la chambre de combustion du barbecue pose un risque d'incendie et, si exposée, peut enflammer des surfaces inflammables telles que des terrasses en bois.

## Recommandations de nettoyage

- Il est nécessaire de nettoyer régulièrement le barbecue après chaque utilisation.
- Assurez-vous que les braises sont complètement éteintes et que l'appareil a suffisamment refroidi avant de le nettoyer.
- Enlevez le plateau à charbon et retirez toutes les cendres.

**Remarque :** Le plateau à charbon peut se décolorer après l'utilisation. Cela est tout à fait normal.

## Nettoyage de l'ensemble brûleur

Suivez ces instructions pour nettoyer et/ou remplacer les pièces de l'ensemble brûleur ou si vous avez des difficultés à allumer le barbecue.

### 1. Coupez le gaz avec les boutons de commande et au niveau de la bonbonne GPL.

- Retirez les grilles de cuisson et les tentes thermiques.
- Retirez les tuyaux de transfert et les fixations des brûleurs.
- Détachez l'électrode du brûleur.

**REMARQUE:** La méthode de retrait/détachement dépendra de la configuration du brûleur. Consultez les différentes configurations dans les illustrations ci-dessous.

- Soulevez délicatement chaque brûleur et éloignez des ouvertures des vannes. Nous suggérons trois façons de nettoyer les tuyaux du brûleur. Utilisez la méthode qui vous semble la plus simple.

- A.** Pliez un fil rigide (un léger cintre fonctionne bien) pour former un petit crochet. Insérez le crochet dans chaque tuyau du brûleur à plusieurs reprises.



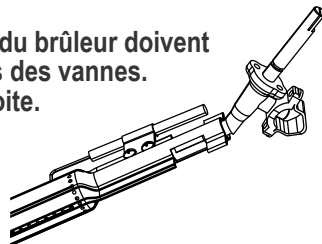
- B.** Utilisez un écouvillon étroit avec un manche flexible (n'utilisez pas de brosse en laiton). Insérez le crochet dans chaque tuyau du brûleur à plusieurs reprises.

- C. Portez des lunettes de protection:** Utilisez un tuyau d'air pour forcer l'air dans le tuyau du brûleur et le faire sortir par les orifices du brûleur. Vérifiez chaque orifice pour vous assurer que l'air sort de chaque trou.

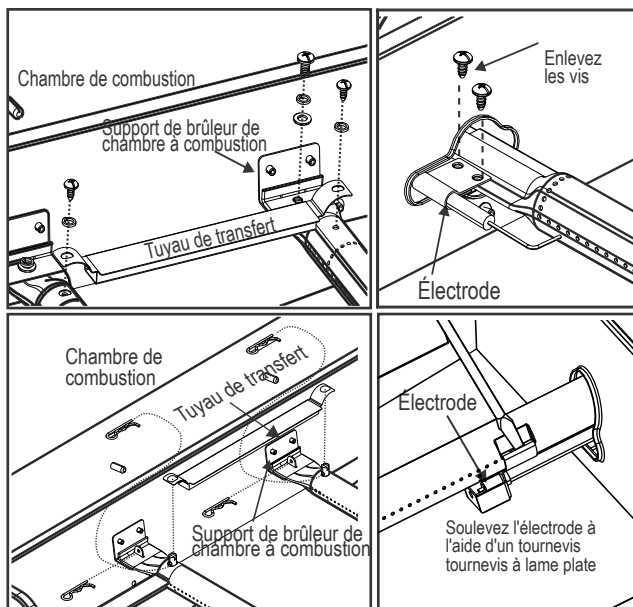
- Utilisez une brosse métallique sur toute la surface extérieure du brûleur pour enlever les résidus alimentaires et la saleté.
- Nettoyez tous les orifices bloqués à l'aide d'un fil rigide comme un trombone déplié.
- Vérifiez si le brûleur présente des dommages dus à l'usure et à la corrosion, certains trous pouvant s'élargir. Si vous constatez de grosses fissures ou des trous, remplacez le brûleur.

**TRÈS IMPORTANT: Les tuyaux du brûleur doivent s'imbriquer avec les ouvertures des vannes. Consultez les illustrations à droite.**

**Bonne imbrication  
brûleur à vanne**



- Fixez l'électrode au brûleur.
- Repositionnez délicatement les brûleurs.
- Fixez les brûleurs aux supports de la chambre de combustion.
- Repositionnez les tuyaux de transfert et fixez-les aux brûleurs. Remplacez les tentes thermiques et les grilles de cuisson.
- Avant de réutiliser le barbecue, procédez à un « Test de fuite » et une « Vérification de la flamme du brûleur ».



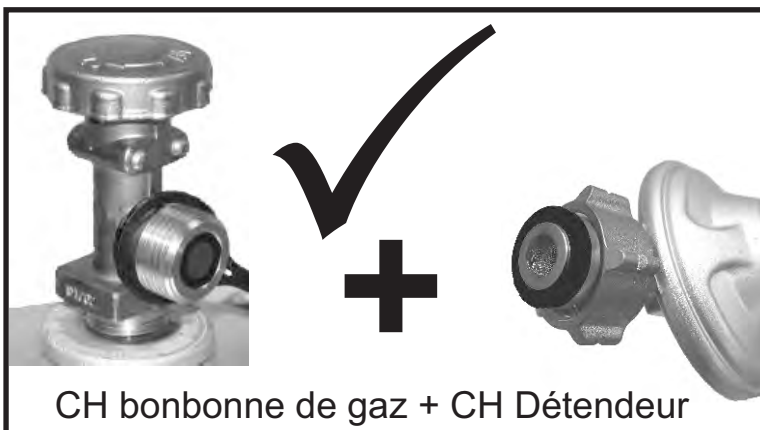
## Rangement de votre appareil

- Nettoyez les grilles de cuisson.
- Conservez dans un endroit sec.
- Lorsque la bonbonne de gaz est raccordée à l'appareil, rangez l'appareil dans un espace bien ventilé et hors de portée des enfants.
- Recouvrez l'appareil s'il est entreposé à l'extérieur.
- Rangez l'appareil à l'intérieur seulement si la bonbonne de gaz est fermée et débranchée, retirée de l'appareil et rangée à l'extérieur.
- En sortant l'appareil de l'endroit où il était rangé, vérifiez si le brûleur est obstrué.

## Consignes générales de nettoyage de l'appareil

- Nettoyez régulièrement l'appareil, de préférence après chaque utilisation. Si une brosse avec soies est utilisée pour le nettoyage des surfaces de cuisson de l'appareil, assurez-vous qu'aucun poil ne reste accroché aux surfaces de cuisson avant de commencer à utiliser le barbecue. Il n'est pas recommandé de nettoyer la surface de cuisson lorsque l'appareil est chaud. L'appareil doit être nettoyé au moins une fois par an.
- Ne confondez pas l'accumulation brune ou noire de graisse et de fumée avec de la peinture. Les intérieurs des barbecues au gaz ne sont pas peints à l'usine (et ils ne doivent jamais l'être). Appliquez une forte solution d'eau et de détergent ou utilisez un produit nettoyant pour appareil avec une brosse à récurer pour les parties intérieures du couvercle et du fond de l'appareil. Rincez et laissez sécher à l'air complètement. N'appliquez pas de nettoyage à base de soude caustique pour appareil/four sur les surfaces peintes.
- Parties en plastique: lavez à l'eau savonneuse et essuyez. N'utilisez pas de citrisol, de nettoyeurs abrasifs, de dégraissants ou un nettoyant concentré pour appareil sur les parties en plastique. Cela pourrait causer des dommages et un mauvais fonctionnement de certaines pièces.
- Surfaces en porcelaine: en raison de la composition proche du verre, la plupart des résidus peuvent être éliminés à l'aide d'une solution de bicarbonate de soude/eau ou d'un nettoyant spécialement formulé. Utilisez une poudre à récurer non-abrasive pour les taches tenaces.
- Surfaces peintes: lavez avec un détergent doux ou un nettoyant non-abrasif et de l'eau tiède savonneuse. Essuyez à l'aide d'un chiffon non abrasif.
- Surfaces en acier inoxydable: pour maintenir l'aspect haute qualité de votre appareil, lavez à l'aide d'un détergent doux et d'eau tiède savonneuse et essuyez avec un chiffon doux après chaque utilisation. Les dépôts de graisse incrustée peuvent nécessiter l'utilisation d'un tampon de nettoyage abrasif en plastique. Utilisez uniquement dans le sens du fini brossé pour éviter d'endommager la surface. N'utilisez pas de tampon abrasif sur les zones avec des images graphiques.
- Surfaces de cuisson: si une brosse avec soies est utilisée pour le nettoyage des surfaces de cuisson de l'appareil, assurez-vous qu'aucun poil ne reste accroché aux surfaces de cuisson avant de commencer à utiliser le barbecue. Il n'est pas recommandé de nettoyer les surfaces de cuisson lorsque l'appareil est chaud.

# IMPORTANT! LISEZ S'IL VOUS PLAÎT!



Un régulateur doit être utilisé avec cet appareil. N'utilisez que le régulateur de gaz fourni avec votre barbecue. Si un détendeur n'est pas fourni, utilisez uniquement un détendeur certifié conforme à la norme EN16129 (débit max. 1,5 kg / h) et approuvé pour votre pays et le gaz spécifié dans les données techniques. Vous devez utiliser une bouteille de gaz à essence compatible avec votre régulateur.

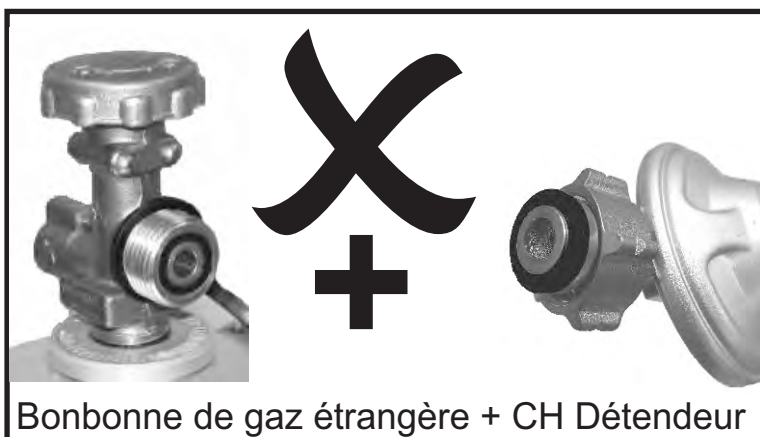
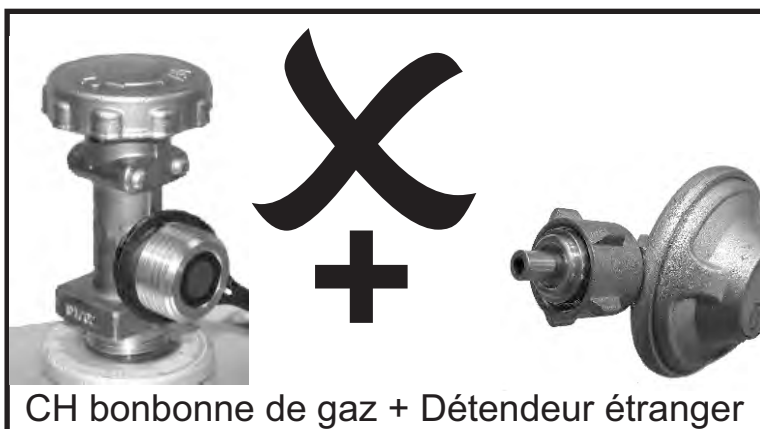
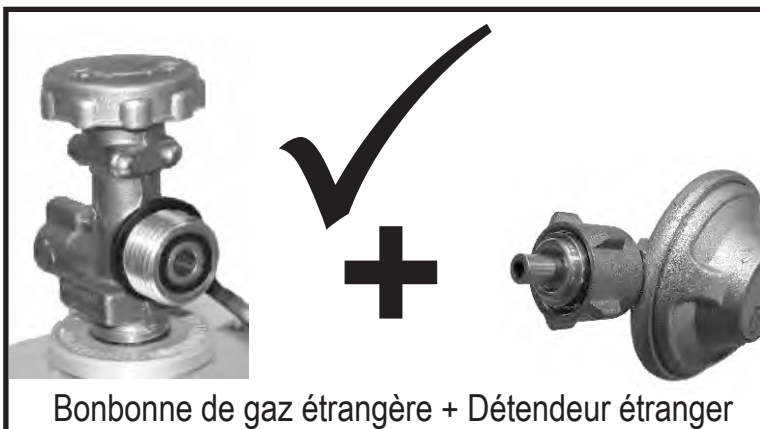
## **Uniquement Pour La Suisse**

Il existe un risque d'incendie et d'explosion avec les appareils ménagers à gaz qui sont équipés avec des détendeurs étrangers, qui ne sont pas compatibles avec les réservoirs de gaz et les détendeurs disponibles en Suisse.

À cause des différents systèmes de fermeture, il est presque impossible de sceller proprement le détendeur avec le réservoir de gaz. Le gaz va ensuite s'échapper et peut être enflammé par flamme ou étincelles. Une explosion mortelle, et/ou dommages matériels peuvent en résulter. Réservoirs, détendeurs suisses et allemands ne peuvent pas être raccordés.

Pour des raisons de sécurité, veuillez vérifier le régulateur de votre barbecue, le Kit de raccordement de bouteilles et assurez-vous que ça correspond avec l'un des cas permis illustré dans les images.

Effectuez une vérification de fuite chaque fois que vous connectez votre barbecue au réservoir.



**DONNÉES TECHNIQUES**  
**CHAR-BROIL, GmbH**

Nom de l'appareil	Barbecue au gaz / Gril au gaz			
Débit calorifique nominal total	8,2 kW (597 g/h)			
Catégorie de gaz	I3+(28-30/37)	I3B/P(30)	I3B/P(50)	
N° de modèle.	468301221			468302221
Type de gaz	Butane	Propane	Butane, Propane ou leurs mélanges	Butane, Propane ou leurs mélanges
Pression du gaz	28-30 mbar	37 mbar	28-30 mbar	50 mbar
Taille de l'injecteur taille (ø mm)	Barbecue : 1,04 x 2 pcs		Barbecue : 1,04 x 2 pcs	Barbecue : 0,92 x 2 pcs
Pays de destination	GB, FR, BE, ES, IT, PT, CZ, SK, CH, CY, GR, IE, LT, LU, LV, SI	DK, NO, NL, SE, FI, IS, CZ, IT, SK, BG, CY, EE, HR, HU, LT, LU, LV, MT, RO, SI, TR		AT, DE, CH, LU, SK
Fourniture électrique	Batterie 1.5VDC			

**ATTENTION!**

La plupart des surfaces de cet appareil sont chaudes lors de l'utilisation. Faites preuve d'une grande prudence. Maintenez les autres personnes à l'écart et portez toujours des vêtements de protection pour éviter les blessures.

Ne déplacez pas l'appareil lorsque vous l'utilisez.

N'utilisez jamais d'essence, de kérosène ou de l'alcool pour allumer le charbon de bois. Dans ce cas, des cubes de paraffine peuvent être utilisés pour allumer le feu. N'utilisez jamais un allume-feu liquide avec un démarreur électrique.

Utilisez la protection requise pour éviter les brûlures.

N'utilisez pas cet appareil sur ou à proximité de surfaces ou de structures combustibles comme des tables en bois, de l'herbe ou des feuilles sèches, des parois en vinyle ou en bois, etc.

Après qu'un feu de charbon de bois semble éteint, des braises non consommées peuvent retenir la chaleur jusqu'à 24 heures, et peuvent s'enflammer de manière inattendue en cas d'exposition à un courant d'air. De telles braises en dehors du foyer du gril entraînent un risque d'incendie et peuvent enflammer des surfaces combustibles telles que des surfaces en bois.

Le fait de ne pas suivre toutes les instructions du fabricant peut entraîner de graves blessures et/ou des dommages matériels.

**DANGER LIÉ AU MONOXYDE DE CARBONE**

La combustion de charbon dans un espace confiné peut vous tuer. Elle dégage du monoxyde de carbone, qui n'a pas d'odeur. Ne brûlez JAMAIS du charbon de bois à l'intérieur de résidences, de véhicules ou de tentes.

**Ne pas cuire avant que le carburant ne contienne de cendres.**

**ATTENTION! - ce barbecue devient très chaud, NE PAS le déplacer pendant le fonctionnement.**

**Ne pas utiliser à l'intérieur.**

**ATTENTION! N'UTILISEZ PAS d'essence ou d'essence pour l'éclairage ou le ré-éclairage! Utiliser uniquement des pare-feux conformes à la norme EN 1860-3! ATTENTION! Gardez les enfants et les animaux domestiques loin.**

**LE FAIT DE NE PAS SUIVRE TOUTES LES INSTRUCTIONS POUR ALLUMER LE CHARBON PEUT ENTRAÎNER DE GRAVES BLESSURES ET/OU DES DOMMAGES MATÉRIELS.**

**FAITES TOUJOURS PREUVE DE PRUDENCE LORS DE LA MANIPULATION DE CHARBONS ARDENTS POUR ÉVITER DE VOUS BLESSER.**

**ALLUMEZ TOUJOURS LE FEU AVEC LE COUVERCLE DU GRIL OUVERT.**



## INSTALLATEUR/MONTEUR:

Dieses Handbuch ist zum Verbleib beim Verbraucher bestimmt.

## VERBRAUCHER:

Bewahren Sie dieses Handbuch zum späteren Nachschlagen auf.

## Fragen:

Wenn Sie während der Montage oder bei der Nutzung dieses Geräts Fragen haben, wenden Sie sich an Ihren Händler vor Ort.



## GEFAHR



Wenn Sie Gas riechen:

1. Schalten Sie die Gaszufuhr des Geräts ab.
2. Löschen Sie jegliches offenes Feuer.
3. Öffnen Sie den Deckel.
4. Wenn der Geruch weiterhin anhält, bleiben Sie dem Gerät fern und rufen Sie Ihren Gaslieferanten oder Ihre Feuerwache umgehend an.



## WARNUNG



1. Lagern Sie weder Benzin noch andere brennbare Flüssigkeiten in der Nähe dieser oder anderer Haushaltsgeräte auf.
2. Eine Gasflasche, die nicht zur Nutzung angeschlossen ist, soll nicht in der Nähe dieser oder anderer Haushaltsgeräte aufbewahrt werden.



## ACHTUNG



- Lesen und befolgen Sie vor der Montage oder Inbetriebnahme zum Kochen alle Sicherheitshinweise, Montage- und Nutzungsanweisungen sowie Pflegeanleitungen.
- Einige Teile können scharfe Kanten aufweisen. Wir empfehlen, Schutzhandschuhe zu tragen.

### Fettbrände

- Einen Fettbrand durch Schließen des Deckels zu löschen, ist nicht möglich. Grillgeräte sind aus Sicherheitsgründen sehr gut belüftet.
- Löschen Sie einen Fettbrand nicht mit Wasser, dies könnte zu Verletzungen führen. Wenn sich ein fortdauernder Fettbrand entwickelt, schließen Sie die Drehknöpfe und die Gasflasche.
- Wenn dieses Gerät nicht regelmäßig gereinigt wurde, kann ein Fettbrand auftreten, der das Produkt beschädigen könnte. Achten Sie daher sehr darauf, wenn Sie vorheizen oder Lebensmittelrückstände abbrennen, sicherzustellen, dass sich kein Fettbrand entwickelt. Befolgen Sie die Anweisungen der üblichen Gerätereinigung und Reinigung des Brennerautomaten, um Fettbrände zu verhindern. Der beste Weg, Fettbrände zu verhindern, besteht in der regelmäßigen Reinigung des Geräts.
- Lassen Sie den Grill nicht unbeaufsichtigt, während Sie vorheizen oder Lebensmittelrückstände auf hoher Stufe abbrennen. Wenn der Grill nicht regelmäßig gereinigt wurde, kann ein Fettbrand auftreten, der das Produkt beschädigen könnte.



## WARNUNG

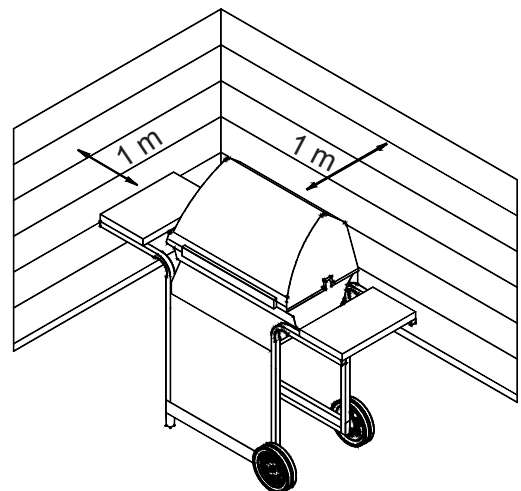


### Zur sicheren Verwendung Ihres Geräts und zur Vermeidung ernsthafter Verletzungen:

• **NUR IM FREIEN VERWENDEN. NIEMALS IN GESCHLOSSENEN RÄUMEN VERWENDEN.**

Lesen Sie die Anweisungen vor Inbetriebnahme des Geräts. Befolgen Sie stets folgende Anweisungen:

- Bewegen Sie das Gerät während der Nutzung nicht.
- Zugängliche Teile können sehr heiß sein. Halten Sie kleine Kinder fern. Lassen Sie Kinder nicht in der Nähe des Geräts herumtollen oder spielen.
- Drehen Sie die Gaszufuhr an der Flasche nach Gebrauch ab.
- Dieses Gerät muss von brennbarem Material während des Gebrauchs ferngehalten werden.
- Verdecken Sie nicht die Löcher an den Seiten oder im hinteren Bereich des Geräts.
- Prüfen Sie die Brennerflammen regelmäßig.
- Blockieren Sie den Venturi-Ventilauslass am Brenner nicht.
- Benutzen Sie das Gerät nur an einem gut belüfteten Ort. Benutzen Sie das Gerät **NIEMALS** in einem geschlossenen Raum wie einem Carport, einer Garage, einer Veranda, einem überdachten Hof oder unter einer Überdachung jeglicher Art.
- Bedecken Sie die Grillroste **NIEMALS** mit Aluminiumfolie oder anderem Material. Dies blockiert die Brenner-Ventilation und schafft einen potentiell gefährlichen Zustand, der in Sach- und/oder Personenschaden resultieren könnte.
- **Benutzen Sie das Gerät mindestens einen Meter von jeder Wand oder Oberfläche entfernt.**
- Halten Sie 3 m Abstand zu Gegenständen ein, die Feuer fangen könnten, oder zu Zündquellen wie Kontroll-Leuchten von Wasserkochern, angeschalteten Elektrogeräten usw.



- Versuchen Sie **NIEMALS**, den Brenner mit geschlossenem Deckel zu zünden. Eine Ansammlung von nicht-entzündetem Gas innerhalb eines geschlossenen Geräts ist gefährlich.
- Nehmen Sie das Gerät mit Gasflasche nicht außerhalb seines bestimmungsmäßig korrekten Einsatzorts in Betrieb.
- Nehmen Sie keine Veränderungen am Gerät vor. Jegliche Veränderung ist strengstens untersagt. Versiegelte Bauteile dürfen nicht vom Benutzer manipuliert werden. Demontieren Sie die Injektoren nicht.

## Sicherheits-Tipps

- Bevor Sie ein Gasflaschen-Ventil öffnen, prüfen Sie den Regler auf Dichtigkeit.
- Wenn das Gerät nicht in Gebrauch ist, stellen Sie die Gaszufuhr mit den Drehreglern ab.
- Benutzen Sie Grillwerkzeug mit langem Griff und Topflappen, um Verbrennungen und Brandblasen zu vermeiden. Verwenden Sie Schutzhandschuhe, wenn Sie mit heißen Geräteteilen hantieren.
- Die maximale Belastung für die Heizplatte und die Seitenablage beträgt 4,5 kg. Der Mindestdurchmesser des Kochtopfs beträgt 200 mm und der Höchstdurchmesser 260 mm.
- Eine Fettwanne (sofern vorhanden) muss in das Gerät eingeschoben werden und nach jedem Gebrauch geleert werden. Entfernen Sie die Fettwanne nicht, bevor sich das Gerät nicht komplett abgekühlt hat.
- Seien Sie besonders vorsichtig, wenn Sie den Deckel öffnen, da heißer Dampf entweichen könnte.
- Seien Sie besonders vorsichtig, wenn Kinder, Senioren oder Haustiere in der Nähe sind.
- Wenn sie bemerken, dass Fett oder anderes heißes Material vom Gerät auf das Ventil, den Schlauch oder den Regler tropft, schalten Sie sofort die Gaszufuhr ab. Bestimmen Sie die Ursache, beheben Sie sie, säubern und inspizieren Sie dann das Ventil, den Schlauch und den Regler, bevor Sie fortfahren. Führen Sie einen Dichtigkeitstest durch.
- Lagern Sie keine Gegenstände oder Materialien im Gerätewagen-Gehäuse, das den Verbrennungsluft-Durchsatz zur Unterseite von entweder der Bedienleiste oder der Wanne des Brennraums blockieren würde.
- Unterbrechen Sie den Anschluss NICHT oder wechseln Sie NICHT die Gasflasche innerhalb von 3 m von einer offenen Flamme oder einer anderen Zündquelle entfernt.

## Unterbringung der Gasflasche

Gasflaschen von 6 kg oder weniger können auf dem Boden unter dem Seitenboden oder im Inneren des Gerätes an Ort und Stelle platziert werden. Größere Gasflaschen sind unter dem Seitenboden oder hinter dem Grill zu platzieren. Die Gasflaschen die im Grill untergebracht werden, sollten einen maximalen Durchmesser von 345 mm und eine maximale Höhe von 430 mm haben. Gasflaschen die auf dem Boden platziert werden, dürfen nicht unter der Heizplatte platziert werden.

## Anforderungen an den Gasdruckregler

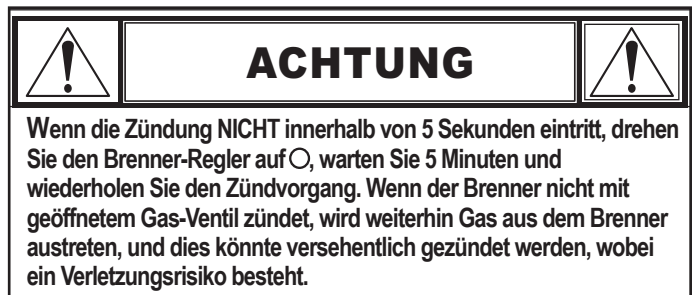
Ein Regler muss mit diesem Gerät verwendet werden. Verwenden Sie nur den mit Ihrem Grill gelieferten Gasregler. Wenn kein Regler geliefert wird, verwenden Sie nur einen Regler, der nach EN16129 (Durchflussrate max. 1,5 kg / h) zertifiziert und für Ihr Land und Gas zugelassen ist, wie in den Technischen Daten angegeben. Sie müssen eine Gasflasche verwenden, die mit Ihrem Druckminderer kompatibel ist.

## Anforderungen an Schläuche

Nutzen Sie nur zugelassene Schläuche, die nach ordnungsgemäßen EN-Normen zertifiziert sind und die eine Länge von 1,5 m nicht überschreiten. In Finnland darf die Schlauchlänge 1,2 m nicht überschreiten. Prüfen Sie vor jeder Nutzung, ob die Schläuche Risse oder Abnutzungen aufweisen. Vergewissern Sie sich, dass der Schlauch nicht geknickt ist. Sorgen Sie dafür, dass der angeschlossene Schlauch nicht mit heißen Oberflächen in Berührung kommt. Ersetzen Sie beschädigte Schläuche, bevor Sie das Gerät verwenden. Ersetzen Sie den Schlauch, wie es die Richtlinien in Ihrem Land erfordern.

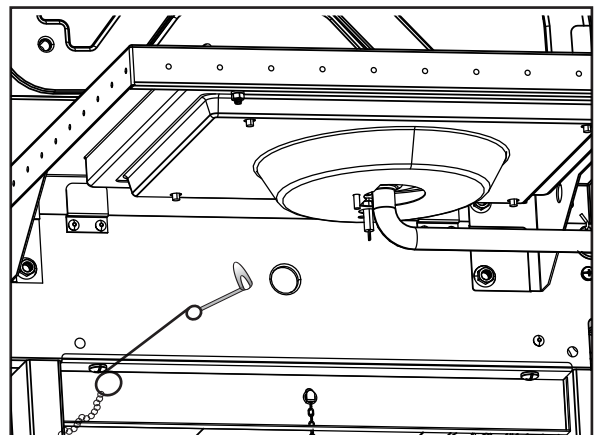
## Gas entzünden mit elektronischem Zündbrenner

- **Lehnen Sie sich nicht über den Grill, während Sie ihn zünden.**
1. Drehen Sie die Gasbrenner-Regelventile auf O (aus).
  2. Öffnen Sie den Deckel während des Zündens oder des erneuten Zündens.
  3. Drehen Sie das Gas an der Gasflasche auf AN.
  4. Zum Zünden drücken Sie den ZÜNDBRENNER-Knopf auf HOCH 🔻. Drücken und halten Sie den ELEKTRONISCHEN ZÜNDBRENNER-Knopf, bis der Brenner zündet.
  5. Wenn die Zündung NICHT innerhalb von 5 Sekunden eintritt, drehen Sie den Brenner-Regler auf O, warten Sie 5 Minuten und wiederholen Sie den Zündvorgang.
  6. Um die verbleibenden Brenner zu zünden, drehen Sie den Drehknopf auf die Position 🔻 HOCH.



## Gas entzünden mit Streichholz

- **Lehnen Sie sich nicht über den Grill, während Sie ihn zünden.**
1. Drehen Sie die Gasbrenner-Regelventile auf O (aus).
  2. Öffnen Sie den Deckel während des Zündens oder des erneuten Zündens.
  3. Drehen Sie das Gas an der Gasflasche auf AN.
  4. Legen Sie die Streichhölzer in den Streichholz-Halter (hängt an der Seitenverkleidung des Grills). Zünden Sie das Streichholz an; zünden Sie dann den Brenner, indem Sie das Streichholz durch das Streichholz-Loch an der Seite des Grills halten. Drücken und drehen Sie den Brenner-Drehknopf sofort auf die Stellung 🔻 HOCH. Vergewissern Sie sich, dass der Brenner brennt und angezündet bleibt.
  5. Zünden Sie angrenzende Brenner der Reihe nach, indem Sie die Drehknöpfe in gedrückter Stellung auf HOCH drehen.



**HINWEIS:** Unter Umständen ist ihr Grill-Modell nicht mit einer Heizplatte ausgestattet.

#### Zünden des Zündbrenners der Heizplatte

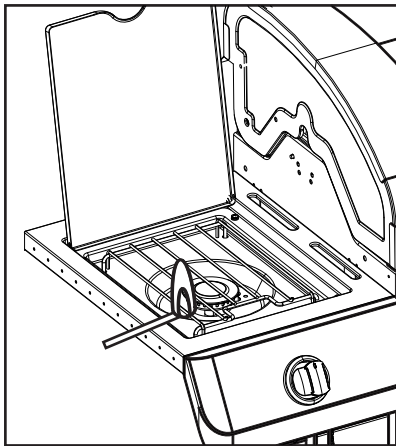
• **Lehnen Sie sich nicht über den Grill, während Sie ihn zünden.**

1. Drehen Sie die Gasbrenner-Regelventile auf  $\bigcirc$  (aus).
2. Öffnen Sie den Deckel während des Zündens oder des erneuten Zündens.
3. Drehen Sie das Gas an der Gasflasche auf AN.
4. Drehen Sie den Heizplatten-Drehknopf auf die Position  $\blacktriangle$  HOCH, drücken und halten Sie den **ELEKTRONISCHEN ZÜNDBRENNER**-Knopf.
5. Wenn sich die Heizplatte NICHT innerhalb von 5 Sekunden entzündet, drehen Sie den Knopf auf  $\bigcirc$  (aus), warten Sie 5 Minuten und wiederholen Sie dann den Zündvorgang.

#### Zünden der Heizplatte mit Streichholz

• **Lehnen Sie sich nicht über den Grill, während Sie ihn zünden.**

1. Drehen Sie die Gasbrenner-Regelventile auf  $\bigcirc$  (aus).
2. Öffnen Sie den Deckel während des Zündens oder des erneuten Zündens.
3. Drehen Sie das Gas an der Gasflasche auf AN.
4. Halten Sie das angezündete Streichholz an den Brenner. Drehen Sie den Heizplatten-Drehknopf sofort auf die Position  $\blacktriangle$  HOCH. Vergewissern Sie sich, dass der Brenner brennt und gezündet bleibt.



#### Dichtigkeitstest für Ventile, Schlauch und Regler

Führen Sie einen Dichtigkeitstest vor der Erstinbetriebnahme durch, mindestens einmal pro Jahr und jedes Mal, wenn die Gasflasche gewechselt wurde oder die Verbindung getrennt war.

1. Drehen Sie alle Drehregler des Gerätes auf  $\bigcirc$ .
2. Vergewissern Sie sich, dass der Gasdruckregler mit der Gasflasche fest verbunden ist.
3. Drehen Sie das Gas an. Falls Sie ein zischendes Geräusch hören, stellen Sie das Gas sofort ab. Es gibt eine größere Undichtigkeit in der Verbindung. Reparieren Sie diese, bevor Sie fortfahren.
4. Bürsten Sie eine seifige Lösung auf die Schlauchverbindungen (Mischung aus halb Seife und halb Wasser).
5. Wenn Blasen auftauchen, die immer größer werden, ist dort eine Undichtigkeit. Stellen Sie das Gas an der Flasche sofort ab und prüfen Sie, ob die Verbindungen fest sind. Wenn die Leckage nicht abgedichtet werden kann, versuchen Sie nicht, sie zu reparieren. Fordern Sie Ersatzteile an.
6. Stellen Sie stets das Gas an der Flasche ab, nachdem Sie einen Dichtigkeitstest durchgeführt haben.

Der Grill muss vor dem Gebrauch auf einer sicheren Standfläche installiert werden.

#### WENN DAS GERÄT NICHT ZÜNDET

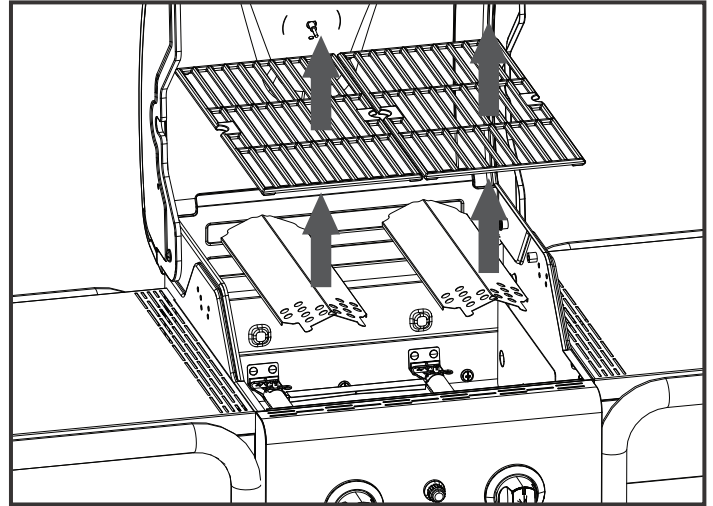
- Vergewissern Sie sich, dass das Gas an der Flasche aufgedreht ist.
- Vergewissern Sie sich, dass sich Gas in der Flasche befindet.
- Macht der Zünder ein Geräusch wie bei einer Funkenbildung?  
Falls ja, prüfen Sie, ob am Brenner Funken entstehen.  
Falls keine Funken vorhanden sind, prüfen Sie, ob die Kabel beschädigt oder locker sind.
- Wenn die Kabel in Ordnung sind, prüfen Sie, ob Elektroden gerissen oder gebrochen sind, ersetzen Sie sie bei Bedarf.
- Wenn Drähte oder Elektroden von Essensrückständen bedeckt sind, reinigen Sie die Elektrodenspitze mit einem in Alkohol getränkten Tuch, wenn es erforderlich ist.
- Ersetzen Sie die Kabel bei Bedarf.
- Wenn keine Geräusche auftreten, prüfen Sie die Batterie.
- Vergewissern Sie sich, dass die Batterie korrekt eingebaut ist.
- Prüfen Sie, ob sich die Kabelverbindungen am Modul und Schalter gelockert haben.
- Falls die Zündung weiterhin nicht funktioniert, verwenden Sie ein Streichholz.

	<b>ACHTUNG</b>	
<b>SPINNEN-ALARM!</b>		
<b>SPINNEN UND SPINNEN NETZE IM BRENNER</b>		
<p>Wenn Ihr Grill schwer zu zünden ist oder die Flamme schwach ist, prüfen und reinigen Sie die Venturi-Schläuche und die Brenner.</p>		
<p>Spinnen oder kleine Insekten sind dafür bekannt, Rückstau-Probleme zu schaffen, indem sie Nester bauen und Eier in die Venturi-Schläuche oder Brenner des Grills legen, was den Gasdurchfluss behindern kann. Das rückgestaute Gas kann sich hinter dem Bedienfeld entzünden. Dieser Rückstau kann Ihren Grill beschädigen und Verletzungen verursachen. Um Rückstau zu verhindern und für eine gute Leistung zu sorgen, sollten der Brenner und die Venturi-Schlauch-Elemente entfernt und gereinigt werden, wenn der Grill für einen längeren Zeitraum unbenutzt war.</p>		

## Anweisungen zum Anzünden der Holzkohle

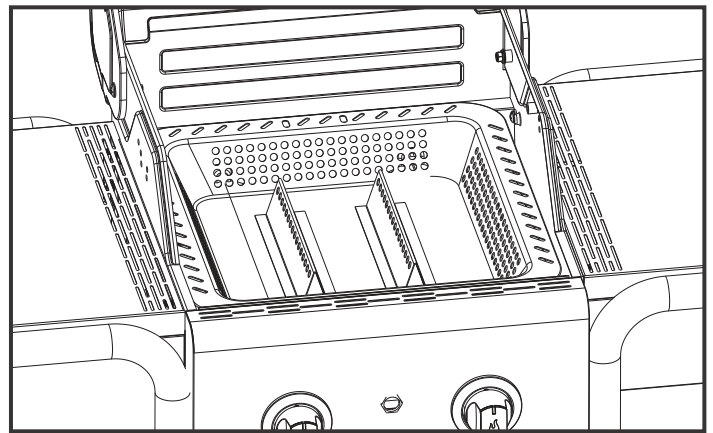
1. Entfernen Sie die Grillroste, solange der Grill noch kalt ist.
2. Platzieren Sie die Holzkohlen-Schale im Grill.
3. Schütten Sie eine einfache Holzkohlen-Lage in die Schale, maximal 0.9 kg.
4. Legen Sie die Grillroste wieder ein.
5. Zünden Sie die Brenner unter Berücksichtigung **der Anweisungen zur Gas-Zündung** bei geöffnetem Deckel.
6. Lassen Sie die Gasbrenner 15 Minuten lang bei geschlossenem Deckel auf **HOCH** brennen.
7. Drehen Sie die Drehregler auf **O** (aus).
8. Öffnen Sie die Haube und warten Sie 5 Minuten, oder bis die Holzkohle weiß wird, bevor Sie Grillgut auflegen.
9. Nicht grillen, bevor die Kohle eine Ascheschicht aufweist.

**HINWEIS:** Der Grill sollte erwärmt werden und der Kraftstoff mindestens 30 Minuten vor dem ersten Kochvorgang heiß gehalten werden.



Entnehmen Sie die Grillroste.

	<b>WARNUNG</b>	
<ul style="list-style-type: none"><li>• Lassen Sie die Gasbrenner nicht länger als 15 Minuten brennen, wenn Sie Holzkohle verwenden.</li><li>• Benutzen Sie niemals flüssigen Grillanzünder, Petroleum, Benzin oder Alkohol, um die Holzkohle anzuzünden.</li><li>• Benutzen Sie niemals Holzstückchen oder Grillanzünder in Ihrem Grill.</li><li>• Holzkohlefeuer <b>NUR</b> machen, wenn die Kohleschale richtig in die Brennkammer eingesetzt ist. Siehe Abbildung.</li><li>• Entnehmen und verräumen Sie die Holzkohlen-Schale aus dem Brennraum, wenn Sie den Grill nur als Gasgrill verwenden.</li><li>• Nehmen Sie den Gasbrenner mit einer in den Brennraum eingesetzten Holzkohlen-Schale ohne Holzkohle nicht in Betrieb.</li></ul>		



Ordnungsgemäßes Einsetzen der Holzkohlen-Schale

	<b>WARNUNG</b>	
--	----------------	--

**KOHLENMONOXID-VERGIFTUNGSGEFAHR** Bei Abbrennen von Holzkohle in geschlossenen Räumen besteht Lebensgefahr. Es wird Kohlenmonoxid abgegeben, das geruchlos ist. Brennen Sie Holzkohle **NIEMALS** in Wohnungen, Fahrzeugen oder Zelten ab.

## Reinigungsempfehlungen

- Die Reinigung des Grills nach jeder Nutzung mit Holzkohle ist erforderlich.
- Vergewissern Sie sich, dass die Kohle vollständig gelöscht wurde und dass das Gerät ordnungsgemäß abgekühlt ist, bevor Sie es reinigen.
- Entfernen Sie die Holzkohlen-Schale und leeren Sie die Asche aus.

**Hinweis:** Nach der Benutzung kann sich die Holzkohlen-Schale verfärbt haben. Das sind normale Gebrauchsspuren.

	<b>WARNUNG</b>	
--	----------------	--

Nachdem ein Holzkohlen-Feuer aus zu sein scheint, kann unverbrauchte Glut die Hitze bis zu 24 Stunden lang speichern, und bei einem Luftzug kann das Feuer wieder unerwartet ausbrechen. Glut außerhalb des Grillbrennraums stellt ein Brandrisiko dar und kann entzündliche Oberflächen wie eine Holzterrasse bei Kontakt entzünden.

## Reinigung der Brenner-Elemente

Folgen Sie dieser Anweisung, um Teile der Brenner-Elemente zu reinigen und/oder zu ersetzen, oder wenn Sie Schwierigkeiten haben, den Grill zu zünden

1. **Stellen Sie das Gas an den Drehreglern der Gasflasche ab.**
2. Entfernen Sie die Grillroste und den Flammschutz.
3. Entfernen Sie die Schlauchführung und die Schrauben, die den Brenner sichern.
4. Entnehmen Sie die Elektrode aus dem Brenner.

**HINWEIS:** Die Methode, wie entfernt/entnommen wird, ist abhängig von der Brennerkonfiguration Bitte betrachten Sie hierzu verschiedene Konfigurationen in den Abbildungen unten.

5. Heben Sie vorsichtig jeden Brenner an und von den Ventilöffnungen weg.  
Wir empfehlen drei Methoden, die Brennerschläuche zu reinigen. Verwenden Sie diejenige, die für Sie am leichtesten ist.

**A.** Biegen Sie einen festen Draht (ein Leichtmetall-Kleiderbügel ist für diesen Zweck gut geeignet) zu einem schmalen Haken. Führen Sie den Haken mehrere Male durch jeden Brennerschlauch.



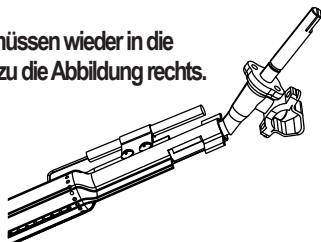
**B.** Verwenden Sie eine schmale Flaschenbürste mit einem flexiblen Griff (verwenden Sie keine Messingdrahtbürste). Führen Sie die Bürste mehrere Male durch jeden Brennerschlauch.

**C. Tragen Sie eine Schutzbrille:** Treiben Sie unter Druck mittels eines Luftschlauchs Luft in den Brennerschlauch und aus den Brenneröffnungen wieder hinaus. Prüfen Sie jede Öffnung, um sich zu vergewissern, dass aus jedem Loch Luft strömt.

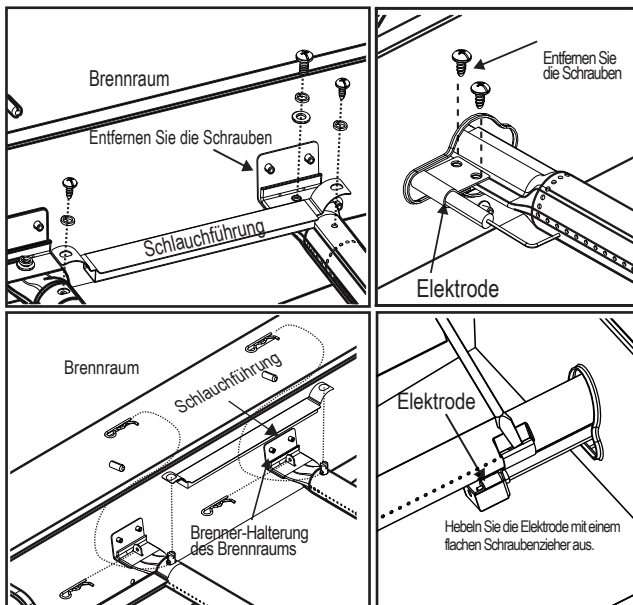
6. Bürsten Sie die gesamte äußere Oberfläche des Brenners mit einer Drahtbürste ab, um Essensrückstände und Schmutz zu entfernen.
7. Reinigen Sie alle verstopften Öffnungen mit einem steifen Draht wie beispielsweise einer aufgebogenen Büroklammer.
8. Prüfen Sie, ob der Brenner aufgrund von normaler Abnutzung oder Korrosion beschädigt ist, einige Löcher könnten geweitet sein. Wenn irgendwelche großen Risse oder Löcher gefunden werden, ersetzen Sie den Brenner.

**SEHR WICHTIG:** Die Brennerschläuche müssen wieder in die Ventilöffnungen einrasten. Sehen Sie hierzu die Abbildung rechts.

**Die korrekte Verbindung vom Brenner zum Ventil**



9. Befestigen Sie die Elektrode am Brenner.
10. Ersetzen Sie die Brenner vorsichtig.
11. Befestigen Sie die Brenner an den Klammern des Brennraums.
12. Bringen Sie die Schlauchführung wieder an und verbinden Sie sie mit dem Brenner. Bringen Sie den Flammschutz und die Grillroste wieder an
13. Bevor Sie erneut kochen oder grillen, führen Sie einen „Dichtigkeitstest“ und eine „Brennerfunktionstest“ durch.



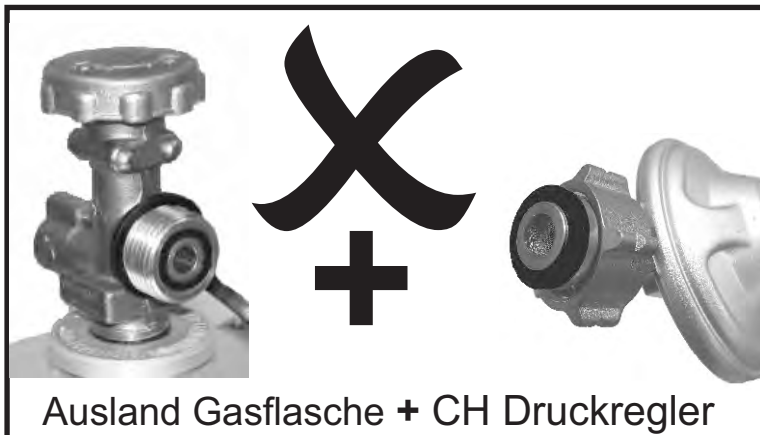
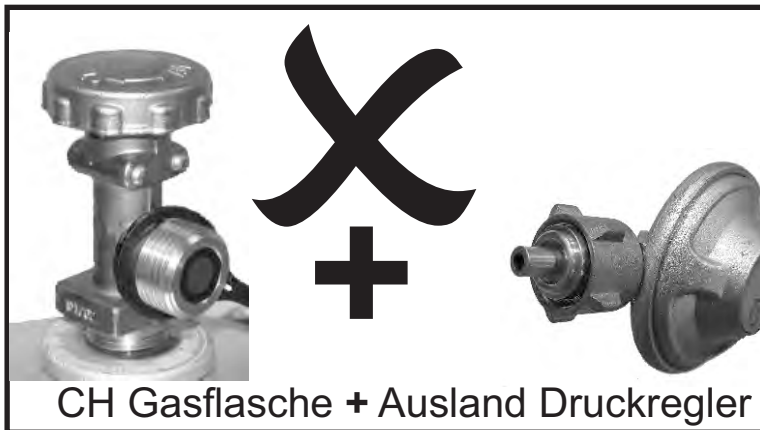
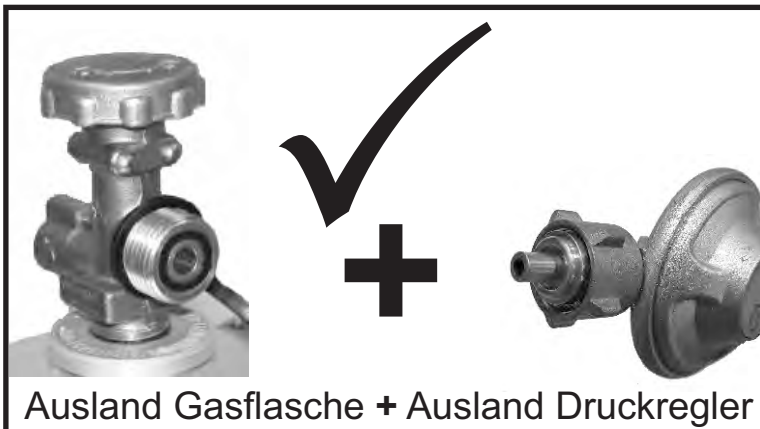
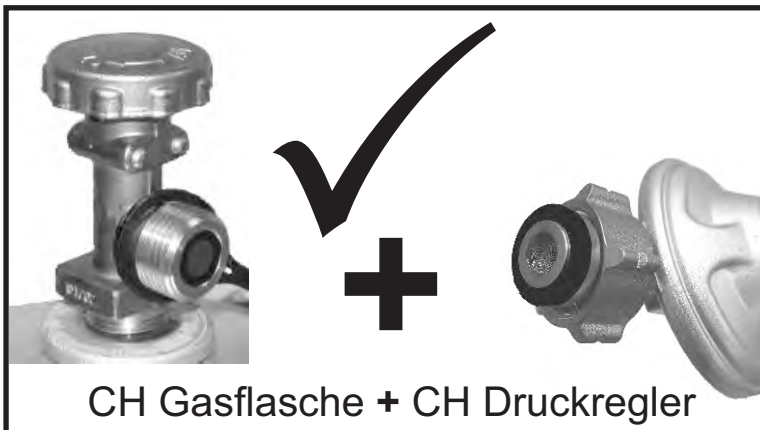
## Lagerung Ihres Geräts

- Reinigen Sie den Grillrost.
- Lagern Sie ihn an einem trockenen Ort.
- Wenn eine Gasflasche an das Gerät angeschlossen ist, lagern Sie es im Freien an einem gut belüfteten Ort und außerhalb der Reichweite von Kindern.
- Decken Sie das Gerät ab, wenn es im Freien gelagert wird.
- Lagern Sie das Gerät NUR in einem geschlossenen Raum, wenn die Gasflasche abgedreht ist und vom Gerät getrennt im Freien gelagert wird
- Wenn Sie das Gerät aus dem Lager holen, prüfen Sie, ob der Brenner verstopft ist.

## Allgemeine Gerätereinigung

- Reinigen Sie das Gerät oft, vorzugsweise nach jedem Gebrauch. Das Gerät sollte mindestens einmal jährlich gereinigt werden.
- Halten Sie braune oder schwarze Fettansammlungen und Ruß nicht versehentlich für Farbe. Die Innenseite von Gasgrills werden im Werk nicht lackiert (und sollten niemals lackiert werden). Benutzen Sie eine starke Seifenlauge und Wasser oder benutzen Sie Grillreiniger mit einer Scheuerbürste auf der Innenseite der Gerätehaube und des Gerätebodens. Spülen Sie nach und lassen Sie den Grill vollständig an der Luft trocknen. Verwenden Sie keine ätzenden Mittel/Ofenreiniger auf lackierten Oberflächen.
- Kunststoffteile: Wischen Sie sie mit warmem Seifenwasser ab und reiben Sie sie trocken.
  - Verwenden Sie weder Zitronensäure, Scheuermittel, Entfetter oder konzentrierte Gerätereiniger an Plastikteilen. Dies kann eine Beschädigung oder den Ausfall der Teile verursachen.
- Porzellan-Oberflächen: Wegen ihrer Glas-artigen Zusammensetzung können die meisten Rückstände mit einer Backpulver-Wasser-Lösung oder einem speziell zu diesem Zweck formulierten Reiniger abgewischt werden. Verwenden Sie Scheuersand, der nicht die Oberfläche beschädigt, für hartnäckige Flecken.
- Lackierte Oberflächen: Wischen Sie sie mit mildem und nicht die Oberfläche beschädigenden Reinigungsmittel und warmem Seifenwasser. Reiben Sie es mit einem weichen, nicht-scheuernden Tuch trocken.
- Edelstahl-Oberflächen: Um ein qualitativ hochwertiges Aussehen des Geräts zu erhalten, waschen Sie mit mildem Reinigungsmittel und warmem Seifenwasser und reiben Sie es nach jeder Benutzung mit einem weichen Tuch trocken. Eingebraunte Fettablagerungen könnten die Benutzung eines Kunststoff-Topfkratzer erforderlich machen. Verwenden Sie es nur in Richtung der gebürsteten Oberfläche, um Schäden zu vermeiden. Verwenden Sie keinen die Oberfläche beschädigenden Topfkratzer auf Bereichen mit Aufdruck.
- Koch-Oberfläche: Falls ein Borstenpinsel zur Reinigung einer der Kochflächen des Geräts verwendet wird, vergewissern Sie sich vor dem Grillen, dass keine losen Borsten auf der Kochfläche verblieben sind. Es ist nicht empfehlenswert, die Kochoberfläche zu reinigen, während das Gerät noch heiß ist.

# WICHTIG! BITTE LESEN SIE!



Ein Regler muss mit diesem Gerät verwendet werden. Verwenden Sie nur den mit Ihrem Grill gelieferten Gasregler. Wenn kein Regler geliefert wird, verwenden Sie nur einen Regler, der nach EN16129 (Durchflussrate max. 1,5 kg / h) zertifiziert und für Ihr Land und Gas zugelassen ist, wie in den Technischen Daten angegeben. Sie müssen eine Gasflasche verwenden, die mit Ihrem Druckminder kompatibel ist.

## Nur für die Schweiz

Es besteht die Gefahr von Feuer und Explosion mit Gasgeräten, welche mit einem ausländischen Druckminder reguliert werden. Diese sind nicht kompatibel mit den Gastanks und Gasdruckminderer, die in der Schweiz verfügbar sind.

Durch die unterschiedlichen Dichtungssysteme ist es unmöglich, den Regler ordnungsgemäß mit den Gastank zu versiegeln. Hier wird Gas entweichen und kann durchaus durch Flammen oder Funken Feuer fangen und sich entzünden. Ein Lebensbedrohliche Explosion und/oder Schäden ihres Eigentums könnten entstehen. Schweizerische und deutsche Gasflasche und Druckregler können nicht miteinander zusammengeführt werden.

Aus Sicherheitsgründen, überprüfen Sie bitte den Druckminderer Ihres Grills und Ihr Gastank-Anschluss und vergewissern Sie sich, dass es den abgebildeten Gebrauchsanweisungen entspricht. Führen Sie jedes Mal eine

Leckageprüfung durch, wenn Sie ihren Grill mit dem Gastank verbinden wollen.

TECHNISCHE DATEN  
CHAR-BROIL, GmbH

Gerätebezeichnung	Gas-Grill			
Gesamtnennwärmezufuhr	8,2 kW (597 g/h)			
Gas-Kategorie	I3+(28-30/37)	I3B/P(30)	I3B/P(50)	
Modell-Nr	468301221			468302221
Gas-Art	Butan	Propan	Butan, Propan oder deren Gemische	Butan, Propan oder deren Gemische
Gasdruck	28-30 mbar	37 mbar	30 mbar	50 mbar
Injektorgröße (Durchm. mm)	Grill:: 1,04 x 2 Stk		Grill: 1,04 x 2 Stk	Grill: 0,92 x 2 Stk
Bestimmungsländer	GB, FR, BE, ES, IT, PT, CZ, SK, CH, CY, GR, IE, LT, LU, LV, SI	DK, NO, NL, SE, FI, IS, CZ, IT, SK, BG, CY, EE, HR, HU, LT, LU, LV, MT, RO, SI, TR		AT, DE, CH, LU, SK
Stromversorgung	1,5 VDC Batterie			

**WARNUNG!**

Während des Betriebs sind die meisten Oberflächen des Geräts heiß. Seien Sie besonders vorsichtig. Halten Sie andere Personen vom Grill fern. Tragen Sie stets Schutzkleidung, um Verletzungen zu verhindern.

Halten Sie Kinder und Haustiere vom Grill fern.

Bewegen Sie den Grill während des Betriebs nicht.

Ersetzen Sie Grillstarter niemals durch Benzin, Kerosin oder Alkohol. Ersetzen Sie diese in diesem Fall durch Grillanzünder auf Paraffinbasis. Verwenden Sie Grillstarterflüssigkeit niemals mit einem elektrischen Zünder.

Das Nichtbeachten der Herstellerhinweise kann zu schweren Verletzungen bzw. Sachschäden führen.

Während des Betriebs können alle Oberflächen heiß sein. Treffen Sie Sicherheitsmaßnahmen, um Verbrennungen zu vermeiden.

Verwenden Sie dieses Gerät nicht auf oder in der Nähe von brennbaren Oberflächen oder Konstruktionen wie Holzterrassen, trockenem Laub oder Gras, Vinyl- oder Holzverkleidungen usw.

Nachdem ein Holzkohlefeuer erloschen scheint, kann die Glut noch bis zu 24 Stunden Hitze erzeugen und unerwartet Flammen auslösen, wenn Frischluft zuströmt. Jegliche Glut außerhalb der Feuerschale des Grills stellt eine Brandgefahr dar und kann brennbare Oberflächen wie Holzterrassen entzünden.

**KOHLENMONOXID-GEFAHR**

Brennende Holzkohle in Innenräumen kann tödlich sein.

Sie gibt das geruchlose Kohlenmonoxid ab. Lassen Sie Holzkohle NIEMALS in Häusern, Fahrzeugen oder Zelten brennen.

Nachkochen Sie nicht, bevor der Treibstoff eine Beschichtung hat.

**WARNUNG!** - dieser Grill wird sehr heiß, verschieben Sie ihn NICHT während des Betriebs.

Nicht im Haus benutzen.

**WARNUNG!** Verwenden Sie NICHT Spiritus oder Benzin für Beleuchtung oder Nachbeleuchtung! Nur Feuerlöscher nach EN 1860-3 verwenden!

**WARNUNG!** Halten Sie Kinder und Haustiere weg. Irrsinnig entzünden.

## INSTALLATORE/ASSEMBLATORE:

Lasciare il presente manuale al consumatore.

## CONSUMATORE:

Conservare il presente manuale per riferimenti futuri.

### Domande:

Se avete domande durante il montaggio o l'utilizzo di questo apparecchio contattare il rivenditore locale.



## PERICOLO



Se si sente odore di gas:

1. Chiudere l'alimentazione del gas all'apparecchio.
2. Spegnerne le eventuali fiamme libere.
3. Aprire il coperchio.
4. Se si continua ad avvertire odore, mantenersi lontani dall'apparecchio e chiamare immediatamente il proprio fornitore di gas o il comando locale dei vigili del fuoco.



## AVVERTENZA



1. Non conservare o utilizzare benzina o altri liquidi infiammabili in prossimità di questo o di altri elettrodomestici.
2. Non conservare alcuna bombola di gas non collegata per l'uso in prossimità di questo o di altri elettrodomestici.



## ATTENZIONE



- Leggere e seguire tutte le istruzioni di sicurezza, le istruzioni di montaggio e le indicazioni per l'uso e la manutenzione prima di assemblare e cucinare.
- Alcune parti possono contenere bordi taglienti. Indossare guanti di protezione, se consigliato.

### Grasso in fiamme

- Se il grasso inizia a bruciare, non è possibile spegnerlo chiudendo semplicemente il coperchio. I barbecue sono ben ventilati per motivi di sicurezza.
- Non utilizzare acqua sul grasso in fiamme, onde evitare possibili lesioni personali. Se un incendio si sviluppa dal grasso in fiamme, ruotare le manopole e la bombola del gas in posizione spenta (OFF).
- Se l'apparecchio non viene pulito regolarmente, è possibile che il grasso si incendi, con il rischio di danneggiare il prodotto. Fare molta attenzione durante il preriscaldamento o lo spegnimento di residui di alimenti in fiamme, al fine di garantire che il grasso non si incendi. Seguire le istruzioni per la pulizia generale dell'apparecchio e la pulizia del gruppo bruciatore, al fine di impedire che il grasso si incendi. Il modo migliore per impedire che il grasso si incendi è eseguire una pulizia regolare dell'apparecchio.
- Non lasciare incustodito il barbecue durante il preriscaldamento o lo spegnimento di residui di alimenti in fiamme. Se il barbecue non viene pulito regolarmente, è possibile che il grasso si incendi, con il rischio di danneggiare il prodotto.

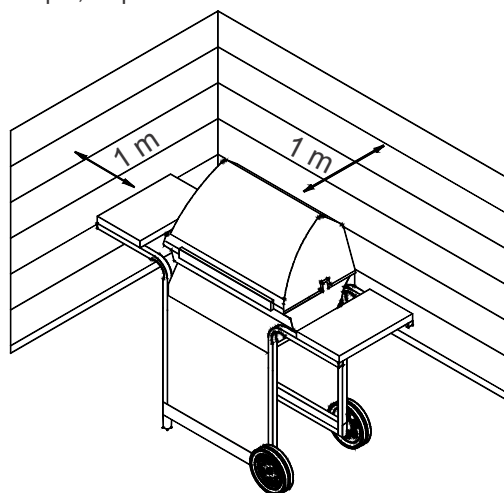


## AVVERTENZA



**Per un utilizzo sicuro del proprio apparecchio e per evitare lesioni gravi:**

- **UTILIZZARE SOLO ALL'APERTO. NON PER USO INTERNO.** Leggere le istruzioni prima di utilizzare l'apparecchio. Attenersi sempre alle istruzioni.
- Non spostare l'apparecchio durante l'uso.
- Le parti accessibili potrebbero essere surriscaldate. Tenere lontano dalla portata dei bambini. Non permettere ai bambini di utilizzare o giocare nelle vicinanze dell'apparecchio.
- Chiudere il rubinetto del gas in prossimità della bombola dopo l'uso.
- Questo apparecchio deve essere tenuto lontano da materiali infiammabili durante l'uso.
- Non ostruire i fori ai lati o sulla parte posteriore dell'apparecchio.
- Controllare le fiamme del bruciatore regolarmente.
- Non ostruire le aperture del tubo di Venturi poste sul bruciatore.
- Utilizzare l'apparecchio solo in uno spazio ben ventilato. Non utilizzare mai in uno spazio chiuso, come posti auto coperto, garage, portici, patio coperti o al di sotto di una struttura sopraelevata di qualsiasi tipo.
- **NON** coprire le griglie con un foglio di alluminio o di qualsiasi altro materiale. In questo modo, si ostruirà la ventilazione del bruciatore e si creerà una condizione potenzialmente pericolosa causando danni a cose o beni e/o lesioni personali.
- **Utilizzare l'apparecchio entro una distanza di almeno 1 metro da qualsiasi parete o superficie.**
- Mantenere 3 metri di spazio libero da oggetti che possono incendiarsi o da fonti di accensione, come fiamme pilota di scaldacqua, dispositivi elettrici vitali ecc.



- **NON** tentare MAI di accendere il bruciatore con il coperchio chiuso. Un accumulo di gas non acceso all'interno di un apparecchio chiuso è pericoloso.
- Spegnerne sempre il gas in prossimità della bombola e scollegare il regolatore prima di spostare la bombola del gas dalla posizione di funzionamento specificata.
- Non utilizzare mai l'apparecchio con una bombola di gas mal posizionata rispetto alla sede corretta specificata.
- Non modificare l'apparecchio. Qualsiasi modifica è severamente vietata. Le parti sigillate non devono essere manipolate dall'utilizzatore. Non smontare gli iniettori.



## Suggerimenti per la sicurezza

- Prima di aprire la valvola della bombola del gas, controllare la tenuta del regolatore.
- Se l'apparecchio non è in uso, spegnere tutte le manopole di controllo e il gas.
- Utilizzare utensili da barbecue con manico lungo e guanti da forno per evitare ustioni e schizzi. Utilizzare guanti protettivi quando si maneggiano componenti caldi.
- Il carico massimo per la piastra calda e il ripiano laterale è di 4,5 kg. Recipiente di cottura con diametro minimo di 200 mm e diametro massimo di 260 mm.
- La coppa raccogli grassi (se presente) deve essere inserita nell'apparecchio e svuotata dopo ogni utilizzo. Non rimuovere la coppa raccogli grassi prima del completo raffreddamento dell'apparecchio.
- Fare molta attenzione quando si apre il coperchio, in quanto potrebbe fuoriuscire del vapore caldo.
- Fare molta attenzione quando sono presenti bambini, anziani o animali nelle vicinanze.
- Se si nota grasso o altro materiale caldo gocciolare dall'apparecchio sulla valvola, sul tubo o sul regolatore, spegnere immediatamente l'alimentazione del gas. Determinare la causa, correggerla, quindi pulire e ispezionare la valvola, il tubo flessibile e il regolatore prima di continuare. Eseguire una prova di tenuta.
- Non riporre oggetti o materiali all'interno del mobile carrello dell'apparecchio che potrebbero bloccare il flusso dell'aria di combustione sulla parte inferiore del pannello di controllo o della ciotola del focolare.
- NON scollegare o sostituire il contenitore di gas entro una distanza di 3 metri da una fiamma libera o altra fonte di accensione.

### Posizionamento della bombola

Una bombola di 6 kg o di dimensioni inferiori può essere collocata a terra sotto il ripiano laterale o all'interno dell'apparecchio all'interno dell'apposito spazio. Le bombole di dimensioni più grandi devono essere collocate esclusivamente sotto il ripiano laterale o dietro il barbecue. Le bombole collocate all'interno dell'apparecchio dovranno avere un diametro massimo di 345 mm e un'altezza massima di 430 mm. Le bombole collocate a terra non dovranno essere collocate sotto la piastra calda.

### Requisiti del regolatore

Un regolatore deve essere usato con questo apparecchio. Utilizzare solo il regolatore del gas fornito con il barbecue. Se non si fornisce un regolatore, utilizzare solo il regolatore certificato secondo EN16129 (portata max 1,5 kg / h) e approvato per il proprio paese e gas specificato in Dati tecnici. È necessario utilizzare una bombola di gas compatibile con il regolatore.

### Requisiti dei tubi flessibili

Utilizzare solo un tubo flessibile approvato che sia certificato secondo i requisiti della normativa EN e che non superi 1,5 metri di lunghezza. Per la Finlandia, la lunghezza del tubo flessibile non deve superare 1,2 metri. Prima di ogni utilizzo, verificare che i tubi flessibili non presentino tagli o segni di usura. Accertarsi che il tubo flessibile non sia piegato. Accertarsi che una volta collegato il tubo flessibile non venga a contatto con superfici calde. Sostituire i tubi flessibili danneggiati prima di utilizzare l'apparecchio. Sostituire il tubo flessibile come richiesto dalle normative nazionali.

## Istruzioni Gas Illuminazione -accenditore

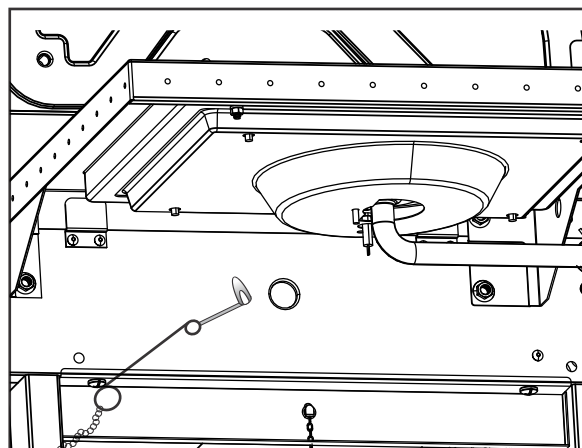
- **Non sporgersi sopra il barbecue durante l'accensione.**
1. Ruotare le valvole di controllo del bruciatore del gas in posizione "spenta" ○ (off).
  2. Aprire il coperchio durante l'accensione o la riaccensione.
  3. Accendere (ON) il gas in prossimità della bombola di gas propano liquido (PL).
  4. Per accendere, spingere e ruotare la manopola accensione del bruciatore ⚡ a ALTO 🔻. Immediatamente, spingere e tenere premuto il pulsante IGNITOR ELETTRONICA fino ad accensione avvenuta.
  5. Se l'accensione NON avviene entro 5 secondi, ruotare le manopole di controllo del bruciatore in posizione "spenta" ○
  6. Per accendere i bruciatori rimanenti, ruotare la manopola in posizione "alto" 🔻 (HIGH) partendo dai bruciatori più vicini al primo BRUCIATORE DI ACCENSIONE ⚡.

	<b>AVVERTENZA</b>	
Ruotare le manopole di controllo e la bombola del gas in posizione spenta (OFF) quando non in uso.		

	<b>ATTENZIONE</b>	
Se l'accensione NON avviene entro 5 secondi, ruotare le manopole di controllo del bruciatore in posizione "spenta" ○ attendere 5 minuti e ripetere la procedura di accensione. Se il bruciatore non si accende con la valvola aperta, il gas continuerà a fluire fuori dal bruciatore e potrebbe accidentalmente incendiarsi con rischio di lesioni.		

### Accensione con fiammiferi

- **Non sporgersi sopra il barbecue durante l'accensione.**
1. Ruotare le valvole di controllo del bruciatore del gas in posizione "spenta" ○ (off).
  2. Aprire il coperchio durante l'accensione o la riaccensione.
  3. Accendere (ON) il gas in prossimità della bombola di gas propano liquido (PL).
  4. Mettere un fiammifero nel supporto per fiammiferi (appeso al pannello laterale del barbecue). Accendere il fiammifero; quindi, accendere il bruciatore mettendo facendo passare il fiammifero all'interno del foro di accensione sul lato del barbecue. Spingerlo immediatamente all'interno e ruotare la manopola del bruciatore in posizione "alto" 🔻 (HIGH). Accertarsi che l'accensione sia avvenuta e rimanga accesa.
  5. Accendere i bruciatori adiacenti in sequenza spingendo le manopole e ruotandole in posizione "alto" 🔻 (HIGH).



**NOTA: Il barbecue dell'utente potrebbe NON essere dotato di una piastra calda!**

### Accensione della piastra calda con accenditore

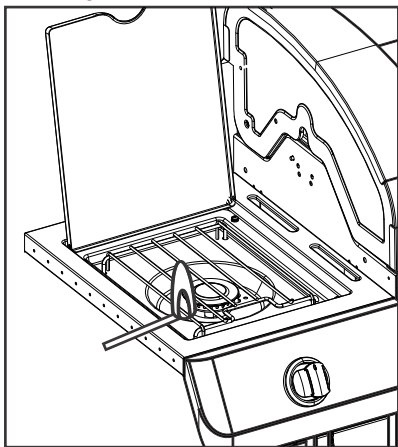
• **Non sporgersi sopra il barbecue durante l'accensione.**

1. Ruotare le valvole di controllo del bruciatore del gas in posizione "spenta" ○ (off).
2. Aprire il coperchio durante l'accensione o la riaccensione.
3. Accendere (ON) il gas in prossimità della bombola di gas propano liquido (PL).
4. Ruotare la manopola della piastra calda in posizione "alto" 🔥 (HIGH), premere e tenere premuto Pulsante **ACCENDITORE ELETTRONICO**.
5. Se la piastra calda non si accende entro 5 secondi, ruotare la manopola su "spento" ○ (off), attendere 5 minuti, quindi ripetere la procedura di accensione.

### Accensione della piastra calda con fiammiferi

• **Non sporgersi sopra il barbecue durante l'accensione.**

1. Ruotare le valvole di controllo del bruciatore del gas in posizione "spenta" ○ (off).
2. Aprire il coperchio durante l'accensione o la riaccensione.
3. Accendere (ON) il gas in prossimità della bombola di gas propano liquido (PL).
4. Avvicinare il fiammifero al bruciatore. Spegnerne immediatamente la manopola della piastra calda portandola in posizione "alto" 🔥 (HIGH). Accertarsi che l'accensione sia avvenuta e rimanga accesa.



### Prove di tenuta delle valvole, del tubo flessibile e del regolatore

Eseguire una prova di tenuta prima del primo utilizzo, almeno una volta l'anno e ad ogni sostituzione o disconnessione della bombola.

1. Ruotare tutte le manopole di controllo dell'apparecchio in posizione ○.
2. Accertarsi che il regolatore sia strettamente collegato alla bombola del gas.
3. Accendere il gas. Se si sente un suono impetuoso, spegnere immediatamente il gas. In tal caso, si è in presenza di una grande perdita in prossimità del collegamento. Correggere il problema prima di procedere.
4. Spazzolare i collegamenti del tubo flessibile con una soluzione saponata (miscela per metà di acqua e sapone).
5. Se compaiono bolle d'aria, significa che è presente una perdita. Spegnerne immediatamente il gas in prossimità della bombola e verificare la tenuta dei collegamenti. Se non è possibile arrestare la perdita, non tentare di riparare. Ordinare le parti di ricambio.
6. Spegnerne sempre il gas in prossimità della bombola dopo avere eseguito la prova di tenuta.

### IN CASO DI MANCATA ACCENSIONE DELL'APPARECCHIO

- Accertarsi che il gas sia acceso in prossimità della bombola.
- Accertarsi che il gas sia presente all'interno della bombola.
- L'accenditore produce un rumore di scintille?
  - In presenza di scintille, controllare la presenza di scintille in prossimità del bruciatore.
  - In assenza di scintille, controllare l'eventuale presenza di fili danneggiati o allentati.
- Se i cavi sono integri, controllare che gli elettrodi non siano incrinati o rotti, sostituire se necessario.
- Se i fili o gli elettrodi sono coperti da residui di cottura, pulire gli elettrodi con un batuffolo imbevuto di alcool, se necessario.
- Se necessario, sostituire i cavi.
- In assenza di rumori, controllare la batteria.
- Accertarsi che la batteria sia installata correttamente.
- Controllare l'eventuale presenza di collegamenti di fili allentati in prossimità del modulo e dell'interruttore.
- Se l'accenditore continua a non funzionare, utilizzare un fiammifero.



## ATTENZIONE



### ALLERTA RAGNI!

**PRESENZA DI RAGNI E RAGNATELE ALL'INTERNO DEL BRUCIATORE**



Se l'apparecchio per barbecue è sempre difficile da accendere o la fiamma è debole, controllare e pulire il tubo di Venturi e i bruciatori.

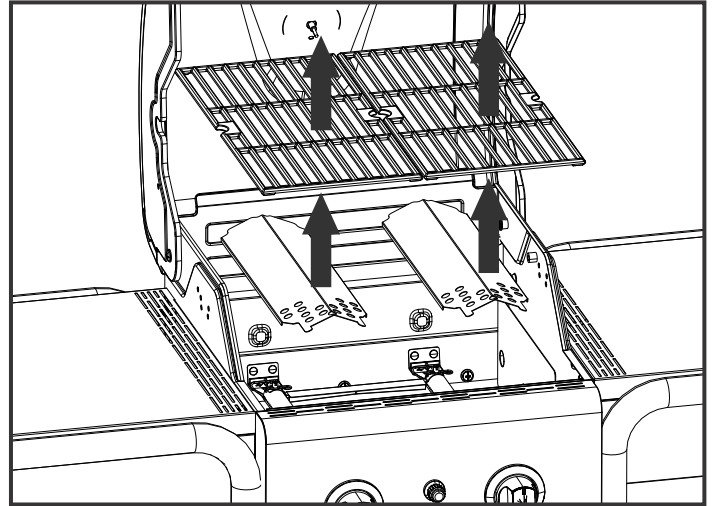
Ragni o piccoli insetti sono noti per creare problemi di "ritorno di fiamma" costruendo nidi e deponendo le uova all'interno del tubo di Venturi dell'apparecchio per barbecue o del bruciatore ostacolandone il flusso di gas. Il gas di un ritorno di fiamma può incendiarsi dietro il pannello di controllo. Il ritorno di fiamma può danneggiare l'apparecchio per barbecue e causare lesioni. Per evitare ritorni di fiamma e garantire una buona prestazione, il gruppo del bruciatore e del tubo di Venturi deve essere rimosso e pulito ogni volta che l'apparecchio per barbecue rimane inattivo per un periodo di tempo prolungato.

Il barbecue deve essere installato su una base sicura prima dell'uso.

## Istruzioni per l'accensione con carbonella

1. Con il barbecue freddo, rimuovere le griglie di cottura.
2. Posizionare il vassoio di carbonella all'interno del barbecue.
3. Posizionare un singolo strato di carbonella all'interno del vassoio, massimo 0.9 kg.
4. Riposizionare le griglie di cottura.
5. Con il coperchio aperto, accendere i bruciatori utilizzando le **istruzioni per l'accensione con gas**.
6. Ruotare le manopole dei bruciatori a gas in posizione "alto" ⬆ (HIGH) per 15 minuti con il coperchio chiuso.
7. Ruotare le manopole di controllo in posizione "spento" ○ (off).
8. Aprire il coperchio e attendere 5 minuti o fino a quando la carbonella diventa bianca, prima di aggiungere il cibo.
9. Non cucinare prima che il carburante ha un rivestimento di cenere.

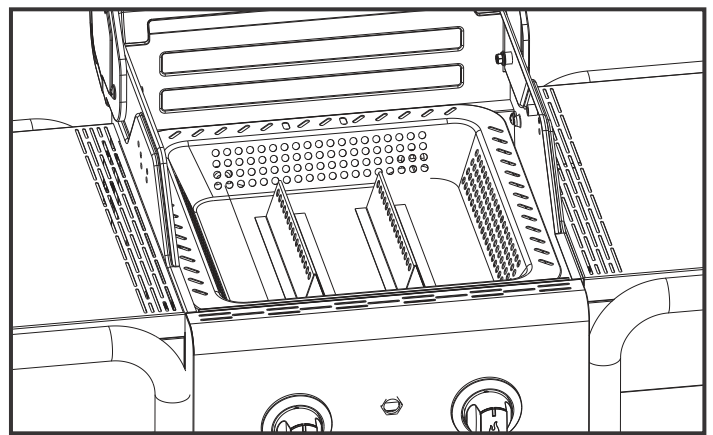
**NOTA:** Il barbecue deve essere riscaldato e il carburante conservato rosso caldo per almeno 30 minuti prima il vostro primo cuoco.



Rimuovere griglie di cottura e le tende di calore

**AVVERTENZA**

- Non utilizzare i bruciatori a gas per più di 15 minuti quando si utilizza la carbonella.
- Non utilizzare mai liquido infiammabile, cherosene, benzina o alcool per accendere la carbonella.
- **ATTENZIONE!** Non utilizzare alcool o benzina per accenderlo! Utilizzare esclusivamente accendifuoco conformi alla EN 1860-3!
- Non utilizzare legna o accenditori istantanei all'interno del barbecue.
- Accendere la carbonella **SOLO** con il vassoio di carbonella posizionato correttamente nel focolare. Vedere la figura.
- Rimuovere il vassoio di carbonella da focolare e immagazzinarlo quando si utilizza il barbecue solo a gas.
- Non utilizzare il bruciatore a gas con il vassoio di carbone installato nel focolare, senza carbonella.



Corretto posizionamento del vassoio della carbonella

## Raccomandazioni per la pulizia

- Pulire il barbecue dopo ogni utilizzo della carbonella.
- Verificare che i carboni siano completamente spenti e che l'unità si sia adeguatamente raffreddata prima della pulizia.
- Rimuovere il vassoio della carbonella e pulire via tutte le ceneri.

**Nota:** Dopo l'utilizzo, il vassoio della carbonella potrebbe scolorire. Questo è normale durante l'uso.

**AVVERTENZA**

**RISCHIO ASSOCIATO AL MONOSSIDO DI CARBONIO** La combustione della carbonella in un luogo chiuso può essere letale. Sviluppa monossido di carbonio, che è inodore. **NON** bruciare **MAI** la carbonella all'interno di abitazioni, veicoli o tende.

**AVVERTENZA**

Una volta che il fuoco della carbonella appare spento, le braci non consumate possono trattenere il calore per un massimo di 24 ore e in presenza di aria pulita potrebbe generare fiamme in modo imprevisto. Le braci fuori dal focolare del barbecue costituiscono un pericolo di incendio e se esposte a superfici infiammabili, come il pavimento di legno di una veranda, potrebbero causarne l'incendio.

## Pulizia del gruppo bruciatore

Seguire queste istruzioni per pulire e/o sostituire le parti del gruppo bruciatore o in caso di problemi con l'accensione del barbecue.

1. **Spegnere il gas in prossimità delle manopole di controllo e della bombola di PL.**
2. Rimuovere le griglie di cottura e i diffusori di calore a tenda.
3. Rimuovere le minuterie di fissaggio dai tubi diffusori e dai bruciatori.
4. Scollegare l'elettrodo dal bruciatore.  
**NOTA:** Il metodo di rimozione/scollegamento dipenderà dalla configurazione del bruciatore. Vedere le diverse configurazioni nelle illustrazioni riportate di seguito.
5. Sollevare delicatamente ogni bruciatore verso l'alto e lontano dalle aperture delle valvole. Suggeriamo tre modi per pulire i tubi del bruciatore. Utilizzare il metodo ritenuto più facile.
  - A. Piegare un filo metallico rigido (ad esempio, un appendiabiti sottile aperto) a forma di piccolo uncino. Far passare l'uncino attraverso ogni tubo del bruciatore diverse volte.

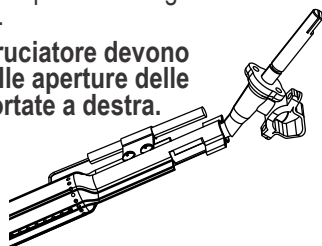
**B.** Utilizzare una spazzola per la pulizia delle bottiglie stretta con un manico flessibile (non utilizzare una spazzola metallica a setole di ottone). Far passare la spazzola attraverso ogni tubo del bruciatore diverse volte.

**C. Indossare occhiali protettivi:** Utilizzare un tubo flessibile per l'aria compressa per forzare l'aria all'interno del tubo del bruciatore e le fessure del bruciatore. Controllare ogni porta per assicurarsi che l'aria fuoriesca da ogni foro.

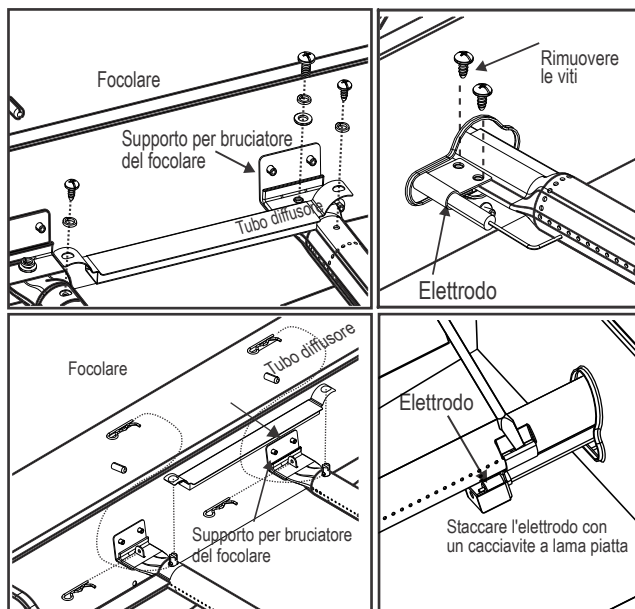
6. Spazzolare con la spazzola metallica tutta la superficie esterna del bruciatore per rimuovere i residui di cibo e sporco.
7. Pulire eventuali porte otturate con un filo metallico rigido, ad esempio una graffetta aperta.
8. Controllare che il bruciatore non presenti segni di danneggiamento, alcuni fori potrebbero allargarsi a causa della normale usura e corrosione. In presenza di grandi crepe o fori sostituire il bruciatore.

**MOLTO IMPORTANTE: I tubi del bruciatore devono essere perfettamente agganciati alle aperture delle valvole. Vedere le illustrazioni riportate a destra.**

### Corretto aggancio del bruciatore alla valvola



9. Collegare l'elettrodo al bruciatore.
10. Ricollocare accuratamente i bruciatori.
11. Fissare i bruciatori alle staffe poste sul focolare.
12. Riposizionare i tubi diffusori e fissarli ai bruciatori.  
Riposizionare i diffusori di calore a tenda e le griglie di cottura.
13. Prima di cuocere di nuovo sul barbecue, eseguire una "Prova di tenuta" e un "Controllo di fiamma dei bruciatori".



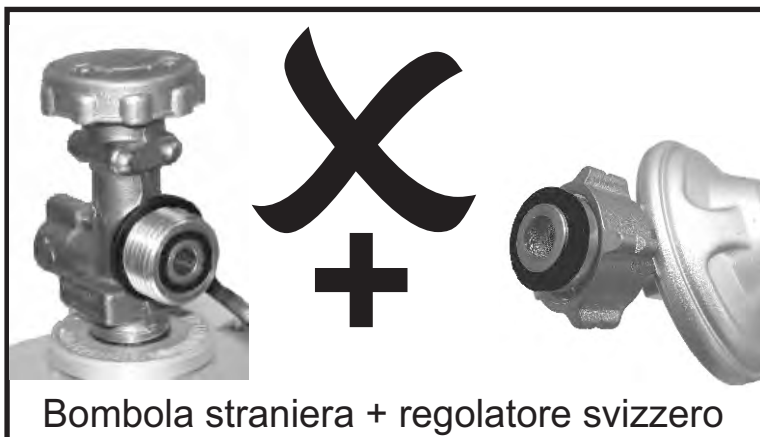
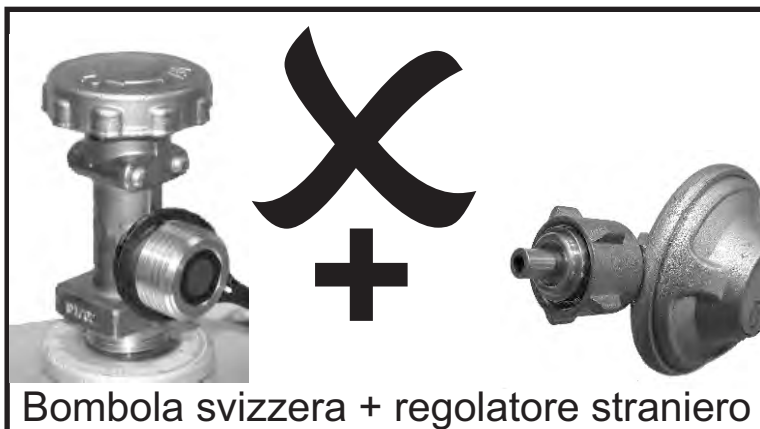
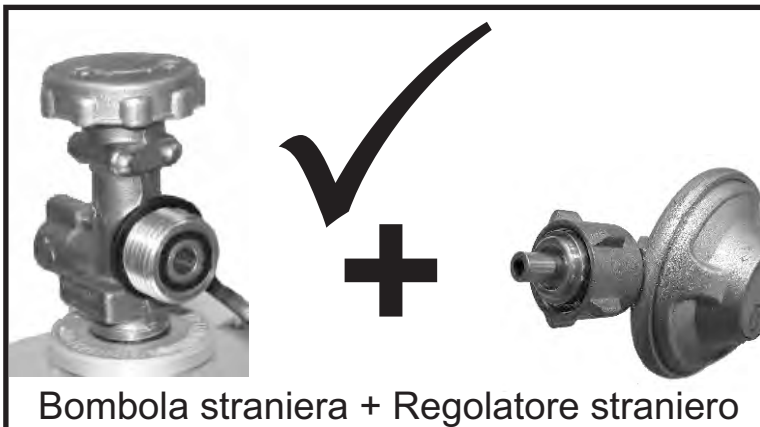
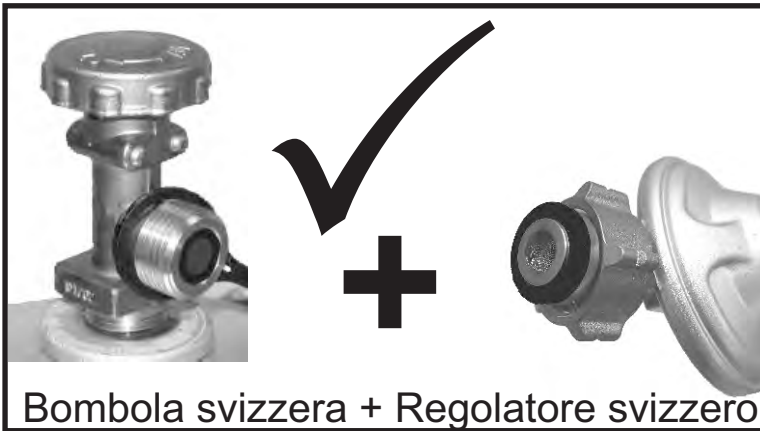
## Immagazzinaggio del barbecue

- Pulire le griglie di cottura.
- Conservare in luogo asciutto.
- Quando la bombola del gas è collegata all'apparecchio, immagazzinare all'aperto in uno spazio ben ventilato e fuori dalla portata dei bambini.
- Chiudere l'apparecchio con il coperchio, se immagazzinato all'aperto.
- Immagazzinare l'apparecchio in ambiente interno SOLO se la bombola del gas è scollegata, rimossa dall'apparecchio e immagazzinata all'aperto.
- Al momento di riutilizzare l'apparecchio dopo l'immagazzinaggio, controllare la presenza di eventuali ostruzioni del bruciatore.

## Pulizia generale dell'apparecchio

- Pulire l'apparecchio regolarmente, preferibilmente dopo ogni cottura. Se si utilizza una spazzola a setole per la pulizia di tutti i piani di cottura dell'apparecchio, accertarsi che eventuali setole allentate non rimangano sulle superfici di cottura prima di iniziare a cuocere al barbecue. Non è consigliabile pulire la superficie di cottura mentre l'apparecchio è ancora caldo. L'apparecchio deve essere pulito almeno una volta l'anno.
- Non confondere l'accumulo di grasso e fumo di colore marrone o nero per vernice. Le parti interne del barbecue a gas non sono verniciate in fabbrica (e non devono essere mai verniciate). Applicare una forte soluzione di acqua e detergente o utilizzare un detergente per apparecchi utilizzando una spazzola sulle pareti interne del fondo e del coperchio dell'apparecchio. Sciacquare e lasciare asciugare completamente. Non applicare detersivi caustici per apparecchi/forni sulle superfici verniciate.
- Parti in plastica: Lavare con acqua tiepida e sapone e asciugare.
  - Non utilizzare citrisol, detersivi abrasivi, sgrassanti o un detergente concentrato sulle parti in plastica dell'apparecchio, onde evitarne il danneggiamento e la rottura.
- Superfici in porcellana: A causa della composizione simile al vetro, è possibile rimuovere una maggiore quantità di residui utilizzando una soluzione di bicarbonato di sodio/acqua o un detergente appositamente formulato. Utilizzare detersivi in polvere non abrasivi per le macchie ostinate.
- Superfici verniciate: Lavare con un detergente delicato o detergente non abrasivo e acqua tiepida e sapone. Asciugare con un panno morbido non abrasivo.
- Superfici in acciaio inox: Per mantenere l'aspetto di alta qualità del vostro apparecchio, lavare con un detergente delicato e acqua tiepida e sapone e asciugare con un panno morbido dopo ogni utilizzo. I depositi di grasso cotto possono richiedere l'utilizzo di un tampone di pulizia per plastica abrasiva. Utilizzare solo in direzione della finitura spazzolata per evitare danni. Non utilizzare spugne abrasive sulle aree con grafica.
- Piano di cottura: Se si utilizza una spazzola a setole per la pulizia di tutti i piani di cottura dell'apparecchio, accertarsi che eventuali setole allentate non rimangano sulle superfici di cottura prima di iniziare a cuocere al barbecue. Non è consigliabile pulire la superficie di cottura mentre l'apparecchio è ancora caldo.

## IMPORTANTE! SI PREGA DI LEGGERE!



Un regolatore deve essere usato con questo apparecchio. Utilizzare solo il regolatore del gas fornito con il barbecue. Se non si fornisce un regolatore, utilizzare solo il regolatore certificato secondo EN16129 (portata max 1,5 kg / h) e approvato per il proprio paese e gas specificato in Dati tecnici. È necessario utilizzare una bombola di gas compatibile con il regolatore.

### **Solo per la Svizzera**

C'è pericolo di incendio e di esplosione se si utilizzano apparecchi a gas con un regolatore di pressione straniero e non compatibile con le bombole a gas e regolatori disponibili in Svizzera.

A causa del diverso sistema di connessione, è impossibile adattare il regolatore straniero alla bombola di gas chiudendolo correttamente. Di conseguenza, il gas fuoriuscirebbe e potrebbe incendiarsi venendo a contatto con fiamme o scintille. Un'esplosione così generata può causare morte e danni a persone e cose. Le bombole a gas e i regolatori svizzeri e tedeschi non sono intercambiabili.

Per ragioni di sicurezza, si invita a controllare il regolatore del vostro grill e la connessione con la bombola di gas ed assicurarsi che rientri in uno dei casi illustrati a fianco.

Si raccomanda di eseguire un test di perdita del gas ogni volta che si connette il grill alla bombola.

**DATI TECNICI**  
**CHAR-BROIL, GmbH**

Denominazione dell'apparecchio	Barbecue a gas/Grill a gas			
Portata termica nominale totale	8,2 kW (597 g/h)			
Categoria gas	I3+(28-30/37)	I3B/P(30)	I3B/P(50)	
Modello n.	468301221			468302221
Tipo di gas	Butano	Propano	Butano, propano o loro miscele	Butano, propano o loro miscele
Pressione del gas	28-30 mbar	37 mbar	28-30 mbar	50 mbar
Dimensioni iniettore (dia. mm)	Barbecue: 1,04 x 2 pz		Barbecue: 1,04 x 2 pz	Barbecue: 0,92 x 2 pz
Paesi di destinazione	GB, FR, BE, ES, IT, PT, CZ, SK, CH, CY, GR, IE, LT, LU, LV, SI	DK, NO, NL, SE, FI, IS, CZ, IT, SK, BG, CY, EE, HR, HU, LT, LU, LV, MT, RO, SI, TR		AT, DE, CH, LU, SK
Fornitura elettrica	1.5VDC Batteria			

**AVVERTIMENTO!**

La maggior parte delle superfici di questo apparecchio sono calde durante l'uso. Usare la massima cautela. Tenere lontano da altre unità, indossare sempre indumenti di protezione per evitare lesioni.

Non spostare l'apparecchio durante l'uso.

Non sostituire mai un accendifuoco per carbonella con benzina, cherosene o alcol. In questo caso, è possibile utilizzare cubetti accendifuoco a base di paraffina al posto dell'accendifuoco per carbonella. Non utilizzare mai un accendifuoco liquido per carbonella con l'accendifuoco elettrico.

La mancata osservanza di tutte le istruzioni del fabbricante può causare gravi lesioni personali e/o danni alle cose.

Tutte le superfici possono surriscaldarsi durante l'uso. Utilizzare protezioni idonee a impedire di ustionarsi.

Non utilizzare l'apparecchio sopra o accanto a superfici combustibili o strutture quali ponti di legno, foglie secche o erba, rivestimenti in vinile o legno ecc.

Quando un fuoco di brace appare spento, le braci non consumate possono trattenere il calore fino a 24 ore e se esposte all'aria aperta potrebbero scoppiare in fiamme in modo imprevisto. Le braci al di fuori del focolare della griglia costituiscono un pericolo di incendio e possono accendere superfici combustibili, come i ponti di legno.

**RISCHIO DEL MONOSSIDO DI CARBONIO**

Bruciare la carbonella in ambienti interni può essere letale. La carbonella emette monossido di carbonio, che è inodore. NON bruciare MAI la carbonella all'interno di abitazioni, veicolio tende da campeggio.

Non cuocere prima che il carburante abbia una cenere di rivestimento.

**AVVERTIMENTO!** - questo barbecue diventa molto caldo, NON muovere durante il funzionamento.

Non utilizzare all'interno.

**AVVERTIMENTO!** NON utilizzare alcool o benzina per illuminare o ri-illuminare! Utilizzare solo i candeggianti conformi a EN 1860-3!

**AVVERTIMENTO!** Tenere i bambini e gli animali domestici lontani.

## INSTALLATEUR/MONTEUR:

Laat deze handleiding bij de consument achter

## CONSUMENT:

Bewaar deze handleiding voor toekomstig gebruik.

## Vragen:

Indien u vragen heeft gedurende de montage of het gebruik van contact your local dealer.



## GEVAAR



Indien u gas ruikt:

1. Draai de gaskraan dicht.
2. Doof open vuur.
3. Open de deksel.
4. Als de stank aanhoudt, blijf op afstand van het apparaat en bel onmiddellijk uw gasleverancier of de plaatselijke brandweer.



## WAARSCHUWING



1. Sla geen benzine of licht ontvlambare vloeistoffen in de buurt van dit of enig ander apparaat op.
2. Een niet aangesloten gasfles mag nooit in de buurt van dit of enig ander apparaat opgeslagen worden



## WAARSCHUWING



- Lees zorgvuldig en volg alle veiligheidsinstructies, montage handleiding en gebruiks- en onderhoudsinstructies op voordat u begint met monteren en koken.
- Sommige onderdelen kunnen scherpe randen hebben. Het gebruik van beschermende handschoenen wordt aanbevolen.

### Vetbrand

- Een vetbrand uitmaken door de deksel te sluiten is niet mogelijk. Om redenen van veiligheid zijn de grillen goed geventileerd.
- Vermijd gebruik van water in geval van een vetbrand, aangezien dit kan leiden tot persoonlijk letsel.
- Indien het apparaat niet regelmatig wordt schoongemaakt, kan een vetbrand ontstaan dat het product kan beschadigen. Let erop in geval van voorverhitten of verbranden van voedselresten dat geen vetbrand kan ontstaan. Volg de Algemene Reinigingsinstructies en Instructies voor het Reinigen van de Branders op om zo vetbrand te voorkomen. De beste manier om vetbrand te voorkomen is het regelmatig reinigen van het apparaat.
- Laat de barbecue niet onbeheerd achter tijdens het voorverwarmen of afbranden voedselresten op HI. Als de barbecue niet regelmatig wordt schoongemaakt, kan een vetbrand ontstaan wat het product kan beschadigen.



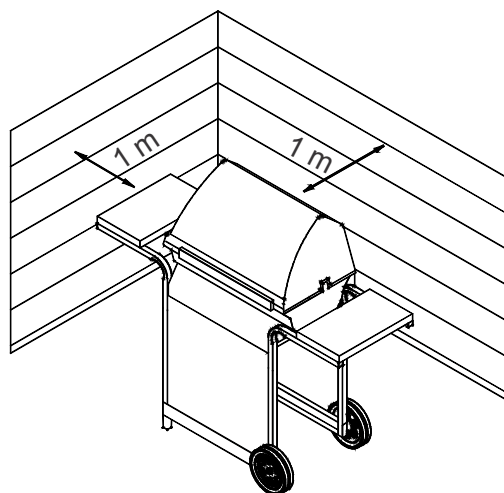
## WAARSCHUWING



### Voor Veilig Gebruik van Uw apparaat en om Ernstig Letsel te Voorkomen:

• **ALLEEN BUITEN TE GEBRUIKEN. GEBRUIK NOOIT BINNENSHUIS. Lees de instructies zorgvuldig voordat u het apparaat in gebruik neemt. Volg altijd de onderstaande instructies op.**

- Verplaats het apparaat nooit tijdens gebruik.
- Toegankelijke onderdelen kunnen erg warm worden. Houd jonge kinderen uit de buurt. Laat kinderen nooit het apparaat bedienen of in de omgeving van het apparaat spelen.
- Schakel de gastoevoer van de gasfles uit na gebruik.
- Houd dit apparaat ver van brandbare materialen tijdens gebruik.
- Blokkeer geen van de gaten aan de zijkanten of achterkant van het apparaat.
- Controleer de brander vlammen regelmatig.
- Blokkeer geen van de venturi buisjes van de brander.
- Gebruik het apparaat uitsluitend in een goed geventileerde ruimte. Gebruik **NOOIT** in een afgesloten ruimte zoals een carport, garage, veranda, overdekte patio, of onder een onder wat voor een overdekking dan ook. Gebruik nooit houtskool of keramische briketten in een gastoestel.
- Roosters **NOOIT** met aluminiumfolie of een ander materiaal afdekken. Dit blokkeert ventilatie van de brander en kan tot een mogelijk gevaarlijke situatie leiden met materiële schade en/of persoonlijk letsel als gevolg.
- **Gebruik het apparaat minstens 1 m van elke wand of oppervlak.**
- Zorg voor een afstand van minstens 3 m van objecten die vlam kunnen vatten of ontstekingsbronnen zoals waakvlammen van waterboilers, ingeschakelde elektrische apparaten, enz.



- Probeer **NOOIT** om een brander aan te steken met een gesloten deksel. Een cumulatie van niet-ontbrand gas in een afgesloten apparaat is gevaarlijk.
- Schakel altijd gas van de gasfles uit en koppel de regelaar los voordat u de gasfles van diens specifieke positie verwijderd.
- Gebruik het apparaat nooit met een gasfles in een incorrecte positie.
- Maak geen aanpassingen aan het apparaat. Elke aanpassing of verandering is streng verboden. Afgedichte onderdelen mogen door de gebruiker niet aangepast worden. De injectoren niet demonteren.

## Veiligheidstips

- Voordat u de gasfles opent, controleer of de regelaar goed vast zit.
- Wanneer het apparaat niet in gebruik is, schakel dan alle regelknoppen en gas uit.
- Gebruik barbecue gereedschap met lange stelen en overwanten om brandwonden en spatten te voorkomen. Gebruik beschermende handschoenen bij het hanteren van hete onderdelen.
- De maximale belasting voor een kookplaat en zijblad is 4,5kg. De kookpan heeft een minimum diameter van 200mm en een maximum diameter van 260 mm. NB: Uw barbecue kan mogelijk NIET zijn uitgerust met een KOOKPLAAT.
- De vetopvangbak (indien aanwezig) moet in het apparaat aangebracht worden en na gebruik geleegd worden. Verwijder de vetopvangbak alleen dan wanneer het apparaat volledig afgekoeld is.
- Wees voorzichtig wanneer u de deksel opent, aangezien hete stoom kan ontsnappen.
- Wees heel voorzichtig als er kinderen, bejaarden of huisdieren in de buurt zijn.
- Indien u ziet dat vet of een andere hete substantie uit het apparaat druipt op ventiel, slang of regelaar, schakel dan onmiddellijk het gas uit. Vind de oorzaak, corrigeer het, en inspecteer en reinig ventiel, slang en regelaar voordat u doorgaat. Voer een lekkagetest uit. Perform a leak test.
- Sla geen voorwerpen of materialen op in de apparatenwagen behuizing wat de verbrandingsluchttoevoer naar de onderkant van zowel het controlepaneel of van de vuurhaard kan blokkeren.
- Ontkoppel of vervang de gasfles NOOIT binnen 3 meter van een open vuur of een andere ontstekingsbron.

## Plaatsen Gasfles

Een gasfles van 6 kg of minder kan op de grond onder de kookplaat of binnen het apparaat op de daarvoor aangegeven plaats geplaatst worden. Grotere gasflessen dienen uitsluitend onder de kookplaat geplaatst te worden. Gasflessen die in het apparaat geplaatst worden dienen een maximale diameter van 345mm en een maximale hoogte van 430mm te hebben. Gasflessen die op de grond geplaatst worden mogen zich niet onder de hitteplaat bevinden.

## Vereisten Regelaar

Een regelaar moet met dit apparaat gebruikt worden. Gebruik uitsluitend de gasregelaar die met uw barbecue geleverd wordt. Als deze regelaar niet geleverd is, dan mag alleen een regelaar gebruikt worden die is gecertificeerd volgens EN126129 (Stroomsnelheid maximaal 1,5kg per uur) en is goedgekeurd voor uw land en gas zoals gespecificeerd in Technische Gegevens.

## Slang Vereisten

Gebruik uitsluitend een goedgekeurde slang die voldoet aan de betreffende EN-standaard en die niet langer is dan 1,5m. Voor Finland, de lengte van de slang mag niet langer zijn dan 1,2m. Voor elk gebruik, dient u te controleren dat de slangen niet gebroken of versleten zijn. Zorg ervoor dat de slang niet geknikt is. Zorg ervoor dat de aangesloten slang niet in aanraking komt met warme oppervlakken. Vervang beschadigde slangen voordat u het apparaat gebruikt. Vervang de slang overeenkomstig nationale voorschriften.

## Gasontsteking handleiding - Aansteker aansteken

### • Leun niet over het apparaat bij aansteken.

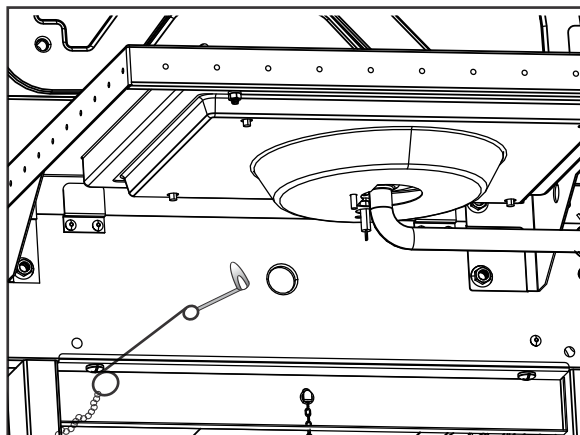
1. Draai de gasbrander regelkleppen aan tot  $\bigcirc$  (uit).
2. Open de deksel gedurende het aansteken en opnieuw aansteken.
3. Draai gas AAN op de gasfles.
4. Om ontbranden, duw en draai aansteekbrander knop  $\blacktriangledown$  op HIGH  $\blacktriangledown$ . Onmiddellijk, duw en houd ELECTRONIC ontsteker ingedrukt totdat de brander brandt.
5. Als het aansteken NIET binnen 5 seconden gebeurt, draai de branderknoppen "aan"  $\bigcirc$ , wacht 5 minuten en herhaal de aansteekprocedure.
6. Om de overige branders aan te steken, draai de branderknop  $\blacktriangledown$  HOOG beginnend met de branders het dichtst bij de AANGESTOKEN BRANDER  $\blacktriangledown$ .



## Aansteken met Lucifers

### • Leun niet over het apparaat bij aansteken.

1. Draai het gasbrander controleklep naar  $\bigcirc$  (uit)
2. Open deksel gedurende aansteken en opnieuw aansteken.
3. Draai gas op de gasfles AAN.
4. Plaats lucifer in luciferhouder (bevindt zich aan de zijkant van de barbecue). Steek lucifer aan en steek de branderopening aan door de lucifer aansteekopening aan de zijkant van de barbecue. Duw de branderknop onmiddellijk in en draai deze  $\blacktriangledown$  HOOG. Zorg ervoor dat de branders aan blijven.
5. Steek de aangrenzende branders in volgorde aan door op de knoppen te duwen en te draaien "naar"  $\blacktriangledown$  HOOG





**NB: Uw barbecue kan mogelijk NIET zijn uitgerust met een KOOKPLAAT!**

#### Kookplaat aansteker aansteken

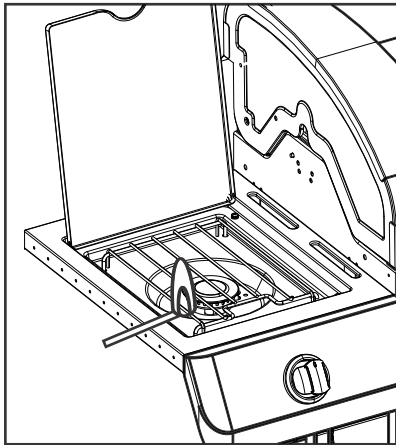
• **Leun niet over het apparaat bij aansteken.**

1. Draai het gasbrander controlekleppen naar ○ (uit).
2. Open deksel gedurende aansteken en opnieuw aansteken.
3. Draai gas op de gasfles AAN.
4. Draai de kookplaatknop  HOOG en druk op de **ELEKTRONISCHE AANSTEKER** knop en houd deze ingedrukt.
5. Als de kookplaat NIET binnen 5 seconden aansteekt, draai aan de knop naar ○ (uit), wacht 5 minuten en herhaal de aansteekprocedure.

#### Kookplaat Aansteken met Lucifers

• **Leun niet over het apparaat bij aansteken.**

1. Draai het gasbrander controlekleppen naar ○ (uit).
2. Open deksel gedurende aansteken en opnieuw aansteken.
3. Draai gas op de gasfles AAN.
4. Plaats een aangestoken lucifer in de  brander. Draai de hitteplaat knop onmiddellijk naar de 4 HOOG stand. Zorg ervoor dat de brander aangaat en aan blijft.



#### Lektest Kleppen, Slang en Regelaar

U dient een lektest uit te voeren voor het eerste gebruik, en minstens een keer per jaar alsmede wanneer de gasfles wordt vervangen of losgekoppeld.

1. Draai alle bedieningsknoppen van het apparaat naar ○.
2. Zorg ervoor dat de regelaar nauw verbonden is met de gasfles.
3. Draai gas aan. Indien u een ruisend geluid hoort, gas onmiddellijk uitdraaien. Er is dan een substantieel lek bij de verbinding. Corrigeer dit voordat u doorgaat.
4. Bestrijk met een zeepoplossing (mengsel van half zeep en half water) de slangverbindingen en de plaatsen op de slangverbindingen.
5. Als luchtbellen verschijnen, is er een lek. Draai het gas van de gasfles onmiddellijk uit en controleer de afsluitingen van de verbindingen. Indien het lek niet verholpen kan worden, probeer het in geen geval zelf te repareren. Bel voor vervangende onderdelen.
6. Draai altijd het gas van de gasfles uit nadat een lektest is uitgevoerd.

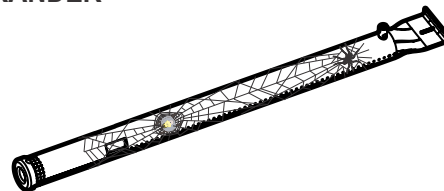
#### ALS APPARAAT NIET AANGESTOKEN KAN WORDEN

- Controleer of gas"er" in de gasfles aangesloten is.
- Zorg ervoor dat gas"er" in de gasfles is.
- Maakt de ontsteker een vonkend geluid?  
Indien ja, controleer de brander voor vonken.  
Indien er geen vonk is, zoek voor beschadigde of losse draden.
- Indien de draden in orde zijn, controleer dan of de elektrode gescheurd of gebroken is, en vervang indien nodig.
- Wanneer draden of elektrodes met kookresten bedekt zijn, reinig dan indien nodig de elektrode met een alcoholdoekje.
- Indien nodig, vervang draden.
- Indien geen geluid, controleer dan de batterij.
- Zorg ervoor dat de batterij correct geïnstalleerd is.
- Controleer of er losse verbindingen bij de module of schakelaar zijn.
- Indien de aansteker weigert te werken, gebruik dan een lucifer.



#### SPINNEN EN

#### SPINNENWEBBEN IN DE BRANDER



Wanneer uw barbecue moeizaam aangaat of de vlam zwak is, controleer en reinig de venturi buisjes en branders.

Spinnen en kleine insecten staan erom bekend dat zij "flashback" problemen veroorzaken doordat zij nesten bouwen en eieren leggen in de venturi buisjes en branders van de barbecue, waardoor de toevoer van gas wordt belemmerd. Het gecumuleerd gas kan achter het controlepaneel ontvlammen. Deze flashback kan uw barbecue beschadigen en letsel veroorzaken. Om flashbacks te voorkomen en voor een goede prestatie zorg te dragen, dienen brander en de venturi buisjes verwijderd en schoongemaakt te worden wanneer de barbecue geruime tijd ongebruikt is.

De barbecue moet voor gebruik op een stevige vlakke ondergrond worden geïnstalleerd.

## Aansteken van Houtskool Instructies

1. In geval van een koude barbecue, verwijder kookroosters.
2. Plaats houtskoollade in barbecue.
3. Plaats een enkele houtskoollaag in de lade, maximaal 0.9 kg.
4. Vervang kookroosters.
5. Met open dekstel, steek branders aan volgens de **Gasaansteken Instructies**.
6. Zet gasbranders op **HOOG** voor 15 minuten met gesloten deksel.
7. Draai controleknoppen naar **O** (uit)
8. Open deksel en wacht 5 minuten, of totdat de houtskool wit wordt, voordat eten toegevoegd wordt.
9. Niet koken voordat brandstof heeft een coating van as.

**OPMERKING:** De barbecue moet worden opgewarmd en de brandstof gehouden roodgloeiende gedurende ten minste 30 minuten vóór de eerste kok.



- **Gebruik de gasbranders niet meer dan 15 minuten wanneer houtskool gebruikt wordt.**
- **WAARSCHUWING!** Gebruik geen spiritus of benzine om de barbecue aan te steken of opnieuw te doen branden. Uitsluitend aanmaakblokjes gebruiken die conform EN1860-3 zijn!
- **Gebruik nooit aanstekervloeistof, kerosine, benzine of alcohol om houtskool aan te steken.**
- **Gebruik nooit houtsnippers of direct licht in uw barbecue.**
- **Start houtskool UITSLUITEND met houtskoollade op juiste wijze geplaatst in de vuurbox. Zie afbeelding.**
- **Verwijder houtskoollade van de vuurbox en sla op wanneer uitsluitend als gasbarbecue wordt gebruikt.**
- **Gebruik gasbrander nooit met geplaatste houtskoollade in de vuurbox zonder houtskool.**



**KOOLMONOXIDE GEVAAR** Houtskool binnen verbranden kan dodelijk zijn. Het veroorzaakt koolmonoxide, dat geen geur heeft. Daarom houtskool **NOOIT** binnenhuis of binnen voertuigen of tenten verbranden.

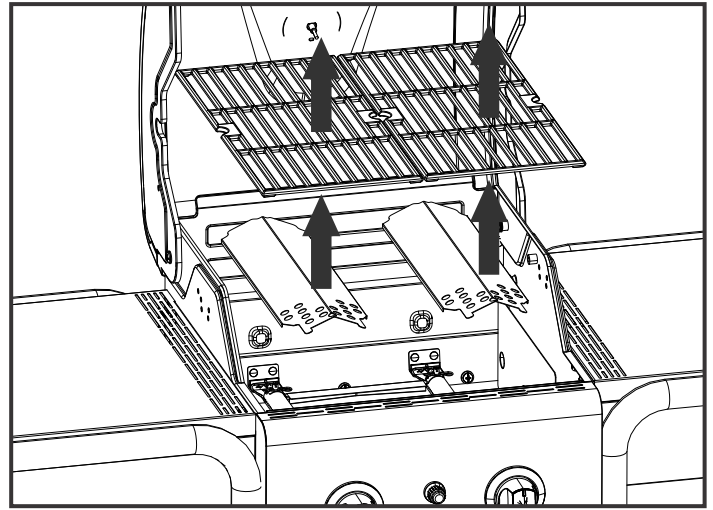


Nadat een houtskoolvuur uit schijnt te zijn, kunnen niet verbrande sintels nog 24 uur warmte vasthouden, en kunnen, indien blootgesteld aan buitenlucht, plotseling vlam vatten. Ieder van deze sintels buiten de vuurbox van de grill vormen een brandgevaar en kunnen brandbare oppervlakken zoals houten dekken vlam laten vatten.

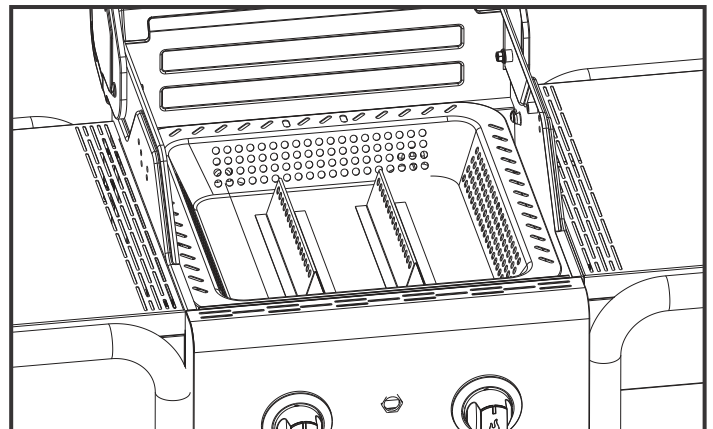
## Aanbevelingen voor Reinigen

- De barbecue dient na ieder houtskoolgebruik gereinigd te worden.
- Zorg ervoor dat alle kooltjes volledig gedoofd zijn en de eenheid voldoende is afgekoeld alvorens te reinigen.
- Verwijder houtskoollade en verwijder alle as.

**NB:** Na gebruik kan de houtskoollade verkleurd zijn. Dit is normaal tijdens gebruik.



Verwijder kookroosters en Heat Tenten



Juiste Plaatsing Houtskoollade

## Reinigen van de Brander

Volg deze instructies op voor het reinigen en/of vervangen van onderdelen van de brander of indien u problemen heeft met het aansteken van het apparaat.

1. **Draai gas uit van de bedieningsknoppen en de gasfles.**
2. Verwijder kookroosters en vlamdempers.
3. Verwijder elektrode van brander.
4. Verwijder slangen en branders.

**NB:** Verwijdering / Ontkoppeling methode zal afhangen van de brander configuratie. Zie verschillende configuraties in de onderstaande afbeeldingen Removal/Detachment method will depend on the burner configuration. See different configurations in illustrations below.

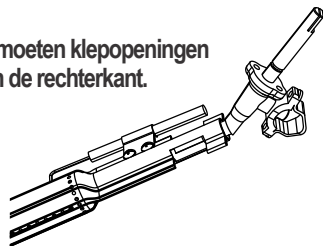
5. Til elke brander voorzichtig op en weg van de klepopeningen.
  - A. Buig een stevige metalen draad (een lichtgewicht kleeërhangert werkt goed) in de vorm van een kleine haak. Voer de haak verschillende keren door elke brander.



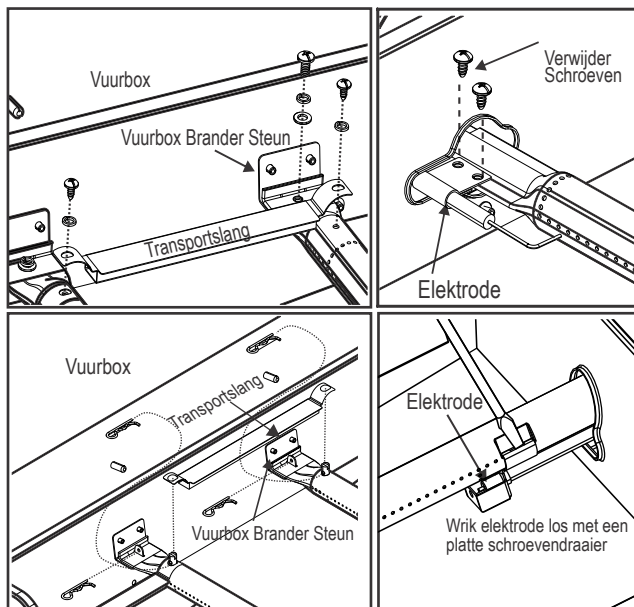
- B. Gebruik een smalle flessenborstel met een flexibel handvat (gebruik geen staalborstel), voer de borstel verschillende malen door elke brander.
  - C. Draag een veiligheidsbril: Gebruik een luchtslang om lucht in branderbuis en uit branderopeningen te persen. Controleer iedere opening om er zeker van te zijn dat lucht uit elk gat komt.
6. Borstel de gehele buitenkant van brander om voedselresten en vuil te verwijderen.
  7. Reinig geblokkeerde openingen met een stevige metalen draad zoals een uitgebogen paperclip.
  8. Controleer brander op schade; ten gevolge van dagelijks gebruik en corrosie kunnen sommige gaten vergroot zijn. Indien grote scheuren of gaten worden gevonden, vervang brander.

**HEEL BELANGRIJK:** Branderslangen moeten klepopeningen opnieuw inschakelen. Zie illustratie aan de rechterkant.

**Juiste verbinding van brander naar klep**



9. Bevestig elektrode aan brander
10. Vervang branders voorzichtig.
11. Bevestig branders aan beugels op vuurhaard.
12. Plaats slangen en verbind met branders. Vervang vlamdempers en kookroosters.
13. Voor het opnieuw gebruiken vna de barbecue, voer een "Lektest" en een "Brander Vlam Controle Test" uit.



## Opslaan van uw Apparaat

- Reinigen kookroosters.
- Opslaan op een droge plek.
- Wanneer een gasfles is aangesloten op het apparaat, dan buiten opslaan in een goed geventileerde ruimte en buiten het bereik van kinderen houden.
- Dek het apparaat af indien buiten opgeslagen.
- Sla het apparaat ALLEEN DAN binnenshuis op indien de gasfles is afgesloten en losgekoppeld, alsmede verwijderd van het apparaat en buiten opgeslagen.
- Wanneer het apparaat uit de opslag wordt gehaald, dient het op brander obstructies gecontroleerd te worden

## Algemene Reiniging Apparaat

- Reinig het apparaat vaak, vooral na koken. Als een borstel wordt gebruikt voor het reinigen, zorg er dan voor dat geen borstelharen achterblijven op het kookoppervlak voordat met grillen wordt begonnen. Het is niet raadzaam het kookoppervlak te reinigen terwijl het apparaat warm is. Het apparaat dient minstens een keer per jaar gereinigd te worden.
- Zie in geen geval bruine of zwarte ophoping van vet voor verf aan. De binnenkant van een gas grill wordt nooit geschilderd tijdens fabricage. (en mag ook nooit geschilderd worden). Gebruik een sterke oplossing van reinigingsmiddel en water of gebruik een apparaat reiniger met schrobborstel voor het reinigen van de binnenkant van deksel en onderkant van het apparaat. Afspoelen en in de open lucht volledig laten drogen. Gebruik geen agressieve reiniger of ovenreiniger op geschilderde oppervlakken
- Kunststofonderdelen: Was met warm zeepwater en droog af.
  - Gebruik geen citrisol, schuurmiddelen, ontvetters of een geconcentreerde reiniger voor kunststof onderdelen. Dit kan resulteren in schade aan en uitval van onderdelen.
- Porcelainen oppervlakken: Door de glasachtige samenstelling kan de meeste aanslag eenvoudig verwijderd worden met zuiveringszout / wateroplossing of een speciaal schoonmaakmiddel. Gebruik een niet-schurend schuurmiddel voor hardnekkige vlekken.
- Geschilderde oppervlakken: Reinig met een mild schoonmaakmiddel of een niet-schurend reinigingsmiddel en warm zeepwater. Droog met een zacht, niet-schurend doekje.
- Roestvrijstalen oppervlakken: Om het hoogwaardig uiterlijk van uw apparaat te behouden, reinig met een mild schoonmaakmiddel en warm zeepwater en droog een zacht doekje na elk gebruik. Voor het verwijderen van ingebakken vet kan gebruik van een schuursponsje nodig zijn. Gebruik alleen in de richting van geborstelde afwerking om schade te voorkomen. Gebruik geen schuursponsjes op plaatsen met een afbeelding.
- Kookoppervlakken: Als een borstel wordt gebruikt voor het reinigen van een kookoppervlak, zorg er dan voor dat er geen losse borstelharen op het kookoppervlak achterblijven voordat met grillen wordt begonnen. Het is niet raadzaam het kookoppervlak te reinigen terwijl het apparaat warm is.

**TECHNISCHE GEGEVENS**  
**CHAR-BROIL, GmbH**

Apparaatnaam	Gas Barbecue Grill			
Totale nominale warmtebelasting	8,2 kW (597 g/h)			
Gas Categorie	I3+(28-30/37)	I3B/P(30)	I3B/P(50)	
Modelnummer	468301221			468302221
Gas Type	Butaan	Propaan	Butaan, Propaan of een menging van de twee	Butaan, Propaan of een menging van de twee
Gasdruk	28-30 mbar	37 mbar	28-30 mbar	50 mbar
Injector Grootte (Diameter. mm)	Barbecue: 1,04 x 2 stuks		Barbecue: 1,04 x 2 stuks	Barbecue: 0,92 x 2 stuks
Bestemmingslanden	GB, FR, BE, ES, IT, PT, CZ, SK, CH, CY, GR, IE, LT, LU, LV, SI	DK, NO, NL, SE, FI, IS, CZ, IT, SK, BG, CY, EE, HR, HU, LT, LU, LV, MT, RO, SI, TR	AT, DE, CH, LU, SK	
Elektrische Voeding	1.5Vdc Battery			

**WAARSCHUWING!**

De meeste oppervlakken van dit apparaat worden heet tijdens gebruik. Wees uiterst voorzichtig. Houd anderen uit de buurt van het apparaat. Draag altijd beschermende kleding om letsel te voorkomen.

Dit apparaat nooit verplaatsen tijdens gebruik.

De houtskoolstarter nooit vervangen met benzine, kerosine of alcohol. In zo'n geval kunnen op paraffine gebaseerde aanmaakblokjes de houtskoolstarter vervangen. Gebruik nooit houtskoolstarter vloeistof met een elektrische aansteker.

Het niet opvolgen van alle instructies van de fabrikant kan leiden tot ernstig persoonlijk letsel en/of materiële schade.

Alle oppervlakken kunnen heet worden tijdens gebruik. Gebruik passende bescherming om brandwonden te voorkomen. Gebruik het apparaat nooit in, op of bij ontvlambare oppervlakken zoals houten dekken, droge bladeren of droog gras, vinyl of houten gevelbekleding, enz.

Nadat een houtskoolvuur uit schijnt te zijn, kunnen niet verbrande sintels nog 24 uur warmte vasthouden, en kunnen, indien blootgesteld aan buitenlucht, plotseling vlam vatten. Ieder van deze sintels buiten de vuurbox van de grill vormen een brandgevaar en kunnen brandbare oppervlakken zoals houten dekken vlam laten vatten.

**KOOLMONOXIDE GEVAAR**

Houtskool binnen verbranden kan dodelijk zijn. Het veroorzaakt koolmonoxide, dat geen geur heeft. Daarom houtskool NOOIT binnenhuis of binnen voertuigen of tenten verbranden.

Kook niet voordat de brandstof een deklaag heeft.

**WAARSCHUWING!** - Deze barbecue wordt erg heet, beweeg het niet tijdens gebruik.

Gebruik niet binnen.

**WAARSCHUWING!** Gebruik GEEN of benzine voor verlichting of verlichting! Gebruik alleen brandweerlieden die voldoen aan EN 1860-3!

**WAARSCHUWING!** Houd kinderen en huisdieren weg.

## INSTALLATÖR/MONTÖR:

Lämna denna bruksanvisning till konsumenten.

## KONSUMENT:

Spara denna bruksanvisning för framtida referens.

## Frågor:

Kontakta din lokala återförsäljare om du har några frågor om montering eller användning av anordningen.



## FARA



Om du känner lukten av gas:

1. Stäng av gasen till anordningen.
2. Släck eventuella öppna lågor.
3. Öppna locket.
4. Om lukten kvarstår bör du omedelbart ringa din gasleverantör eller brandkåren och hålla dig på avstånd från anordningen.



## VARNING



1. Förvara inte och använd inte bensin eller andra brandfarliga vätskor i närheten av denna eller någon liknande anordning.
2. En gasolflaska som inte är ansluten för användning får inte förvaras i närheten av denna eller någon liknande anordning.



## IAKTTA FÖRSIKTIGHET



- Läs och följ alla säkerhetsanvisningar, monteringsinstruktioner och bruks- och underhållsanvisningar innan du monterar grillen och börjar grilla.
- Vissa delar kan ha vassa kanter. Du rekommenderas att använda skyddshandskar.

### Fettbränder

- Det går inte att släcka fettbränder genom att stänga locket. Grillar är välventilerade av säkerhetsskäl.
- Använd inte vatten på en fettbrand, då det kan leda till personskador. Om en ihållande fettbrand utvecklas ska du vrida av vreden och gasolflaskan.
- Om anordningen inte har rengjorts regelbundet kan fettbränder uppstå, vilket kan skada produkten. Var uppmärksam vid förvärmning eller vid bortbränning av matrester för att säkerställa att en fettbrand inte utvecklas. Följ anvisningarna angående allmän rengöring av anordningen och rengöring av brännaren för att förhindra fettbränder. Fettbränder förebyggs bäst genom regelbunden rengöring av anordningen.
- Lämna inte grillen obevakad under förvärmning eller bortbränning av matrester på HI. Om anordningen inte har rengjorts regelbundet kan fettbränder uppstå, vilket kan skada produkten.



## VARNING



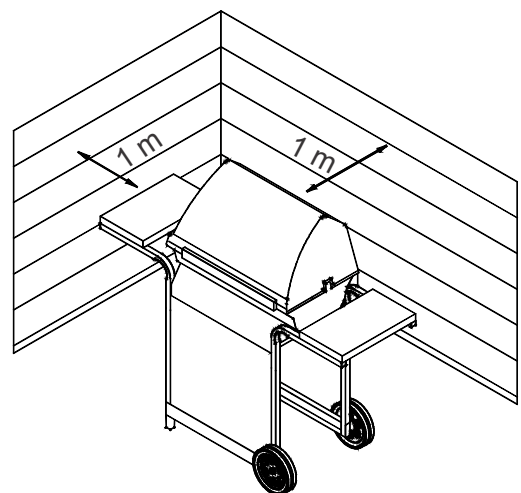
**För säker användning av anordningen och för att undvika allvarliga skador:**

• **ANVÄND ENDAST UTMOMHUS. ANVÄND ALDRIG INOMHUS.**

**Läs anvisningarna innan du använder grillen.**

**Följ alltid dessa anvisningar.**

- Flytta inte grillen när den används.
- Åtkomliga delar kan bli mycket varma. Håll små barn borta från grillen. Låt inte barn använda grillen eller leka i närheten av den.
- Stäng av gastillförseln från gasolflaskan efter användning.
- Denna anordning måste hållas borta från brandfarliga material under användning.
- Blockera inte hål på grillens sidor eller baksida.
- Håll brännarlågorna under uppsikt.
- Blockera inte brännarens venturirör.
- Använd endast på välventilerade platser. Använd **ALDRIG** i slutna utrymmen såsom carport, garage, veranda, inglasad altan eller under någon takförsedd struktur av något slag.
- **Täck INTE** över gallret med aluminiumfolie eller något annat material. Det blockerar brännarens ventilation och skapar ett potentiellt farligt tillstånd, som kan leda till skador på egendom och/eller personskador.
- **Använd grillen på ett avstånd på minst 1 m från vägg eller annan yta.**
- Håll ett säkerhetsavstånd på 3 m från föremål som kan fatta eld eller antändningskällor, såsom kontrollampor på varmvattenberedare, igångsatta elektriska apparater o.s.v.



- Försök **ALDRIG** att tända brännaren med locket stängt. En ansamling av ej antänd gas inuti en sluten anordning är farlig.
- Stäng alltid av gasen på gasolflaskan och koppla från regulatoren innan du flyttar gasolflaskan från den angivna användningsplatsen.
- Använd aldrig anordningen om gasolflaskan inte är på rätt plats enligt vad som har specificerats.
- Modifiera inte anordningen. Alla typer av modifieringar är strängt förbjudna. Slutna delar får inte manipuleras av användaren. Montera inte isär injektorerna.

## Säkerhetstips

- Kontrollera regulatorns täthet innan du öppnar gasventilen.
- Stäng av alla kontrollvred och gasen när anordningen inte används.
- Använd grillredskap med långt skaft och grytvantar för att undvika brännskador och stänk. Använd skyddshandskar när du hanterar varma komponenter.
- Maximal belastning på värmeplattan och sidohyllan är 4,5 kg. Korkkärl med en minsta diameter på 200 mm och en maximal diameter på 260 mm.
- Droppskålen (om sådan finns) måste föras in i anordningen och tömmas efter varje användning. Ta inte bort droppskålen förrän anordningen har svalnat helt och hållet.
- Var mycket försiktig när du öppnar locket, då het ånga kan uppstå.
- Var mycket försiktig när barn, äldre personer eller husdjur är i närheten.
- Om du upptäcker att fett eller något annat hett droppar från anordningen ner på ventilen, slangen eller regulatorn måste du omedelbart stänga av gastillförseln. Fastställ orsaken, åtgärda problemet och rengör och inspektera ventilen, slangen och regulatorn innan du fortsätter. Genomför ett läckagetest.
- Förvara inte föremål eller material inuti anordningens hölje, som skulle blockera förbränningsluftens flöde till undersidan av antingen kontrollpanelen eller brännarhuset.
- Koppla INTE från eller byt gasbehållare på ett avstånd kortare än 3 m från en öppen låga eller annan antändningskälla.

## Gasflaskans placering

En gasflaska på 6 kg eller mindre kan placeras på marken under sidohyllan eller inuti anordningen i det angivna utrymmet. Stora gasflaskor får endast placeras under sidohyllan eller bakom grillen. Gasflaskor som placeras inuti anordningen ska ha en maximal diameter på 345 mm och en maximal höjd på 430 mm. Gasflaskor som placeras på marken får inte placeras under värmeplattan.

## Krav för regulator

En regulator måste användas med denna anordning. Använd endast den gasregulator som medföljer grillen. Om det inte medföljer någon regulator ska du endast använda en regulator som certifierats enligt EN16129 (flödeshastighet på max. 1,5 kg/tim.) och som är godkänd för ditt land och för den gas som specificeras i avsnittet Tekniska data.

## Krav för slang

Använd endast en godkänd slang som certifierats enligt lämplig EN-standard och som inte är längre än 1,5 m. För Finland ska slangen inte vara längre än 1,2 m. Kontrollera att slangen inte är skadad eller utsliten. Se till att slangen inte har snott sig. Se till att slangen inte vidrör några varma ytor när den är ansluten. Byt ut skadade slangar innan du använder anordningen. Byt ut slangen i enlighet med nationella krav.

Grillen måste installeras på en säker nivå före användning.

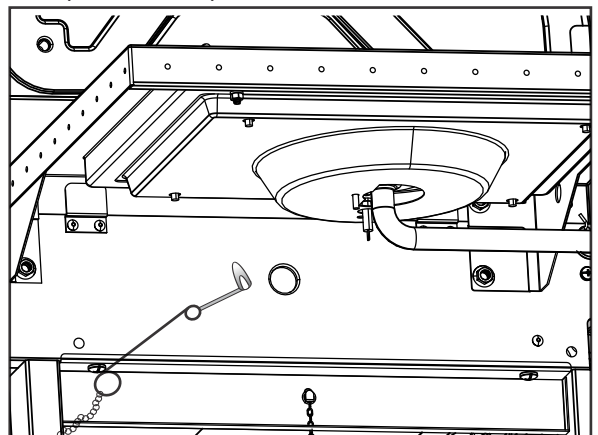
## Gasontsteking Instructie Tända med tändanordningen

- **Luta dig inte över grillen när du tänder den.**
- 1. Vrid gasbrännarens kontrollvred till O (av).
- 2. Öppna locket när du tänder grillen.
- 3. Sätt PÅ gasen på LP-flaskan.
- 4. För att antända, tryck och vrid tändningsbrännare vredet ↗ till HÖG ⬇️. Omedelbart, håll ELEKTRONISK tändare knappen tills brännaren tänds.
- 5. Om grillen INTE tänds inom fem sekunder vrider du brännarens kontrollvred till O väntar fem minuter och upprepar sedan tändningsproceduren.
- 6. Tänd återstående brännare genom att vrida kontrollvredet till positionen ⬇️ HIGH. Börja med den brännare som är närmast IGNITION BURNER ↗.



## Tända med tändstickor

- **Luta dig inte över grillen när du tänder den.**
- 1. Vrid gasbrännarens kontrollvred till O (av).
- 2. Öppna locket när du tänder grillen.
- 3. Sätt PÅ gasen på LP-flaskan.
- 4. Placera tändstickan i tändstickshållaren (som hänger från sidopanelen på grillen). Tänd tändstickan. Tänd sedan brännaren genom att föra in tändstickan genom hålet på sidan av grillen. Tryck omedelbart in och vrid på brännarens kontrollvred till positionen HIGH ⬇️. Se till att brännaren tänds och fortsätter att vara tänd.
- 5. LTänd angränsande brännare i turordning genom att trycka in och vrida på vreden till positionen HIGH ⬇️.



**OBS! Det kan hända att din grill INTE är utrustad med en värmeplatta!**

### Tända värmeplattan med tändanordningen

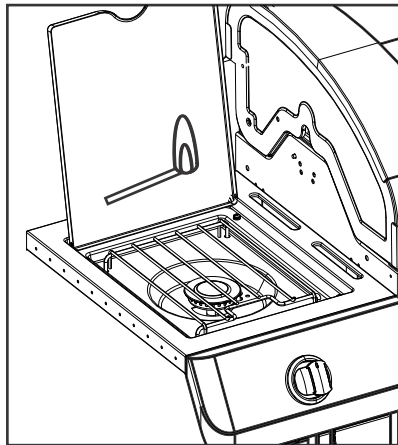
• Luta dig inte över grillen när du tänder den.

1. Vrid gasbrännarens kontrollvred till 1(av).
2. Öppna locket när du tänder grillen.
3. Sätt PÅ gasen på LP-flaskan.
4. Vrid värmeplattans kontrollvred till positionen 🔥 HIGH, tryck in och håll inne knappen **ELECTRONIC IGNITOR**.
5. Om värmeplattan INTE tänds inom 5 sekunder vrider du vredet till 0 (av), väntar 5 minuter och upprepar sedan tändningsproceduren.

### Tända värmeplattan med tändstickor

• Luta dig inte över grillen när du tänder den.

1. Vrid gasbrännarens kontrollvred till 0 (av).
2. Öppna locket när du tänder grillen.
3. Sätt PÅ gasen på LP-flaskan.
4. Placera en tänd tändsticka nära brännaren. Vrid omedelbart värmeplattans kontrollvred till positionen 🔥 HIGH. Se till att brännaren tänds och fortsätter att vara tänd.



### Läckagetest för ventiler, slang och regulator

Genomför ett läckagetest före första användning, minst en gång per år och varje gång gasolflaskan byts ut eller kopplas från.

1. Vrid alla kontrollvred till 0.
2. Se till att regulatorn är ordentligt ansluten till gasolflaskan.
3. Sätt på gasen. Stäng omedelbart av gasen om du hör ett susande ljud tryck. Det betyder att anslutningen läcker. Åtgärda detta innan du fortsätter.
4. Pensla med en tvållösning (en blandning av hälften tvål, hälften vatten) på slangens anslutningar.
5. Om det uppstår bubblor finns det en läcka. Stäng omedelbart av gasen på gasolflaskan och kontrollera att anslutningarna är täta. Om läckan inte kan åtgärdas ska du inte försöka att reparera skadan. Ring efter reservdelar.
6. Stäng alltid av gasen på gasolflaskan när du har utfört ett läckagetest.

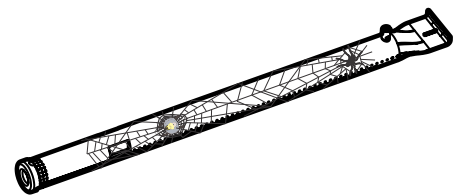
### OM ANORDNINGEN INTE TÄND

- Se till att gasen är påslagen på gasolflaskan.
- Se till att det finns tillräckligt med gas i gasolflaskan.
- Hör du ett gnistljud från tändaren?
  - Om du hör det kontrollerar du om det finns gnistor vid brännaren.
  - Om du inte ser några gnistor letar du efter skadade eller lösa ledningar.
- Om ledningarna är ok letar du efter spruckna eller trasiga elektroder och byter ut dessa om så krävs.
- Om ledningar eller elektroder är täckta av rester från matlagningen rengör du elektrodspetsen med alkohol om så krävs.
- Om så krävs byter du ut ledningarna.
- Om du inte hör något gnistljud kontrollerar du batteriet.
- Se till att batteriet är ordentligt isatt.
- Leta efter lösa ledningar vid modulen och brytaren.
- Om tändaren fortfarande inte fungerar använder du en tändsticka istället.



### VARNING FÖR SPINDLAR!

#### SPINDLAR OCH SPINDELNÄT I BRÄNNAREN



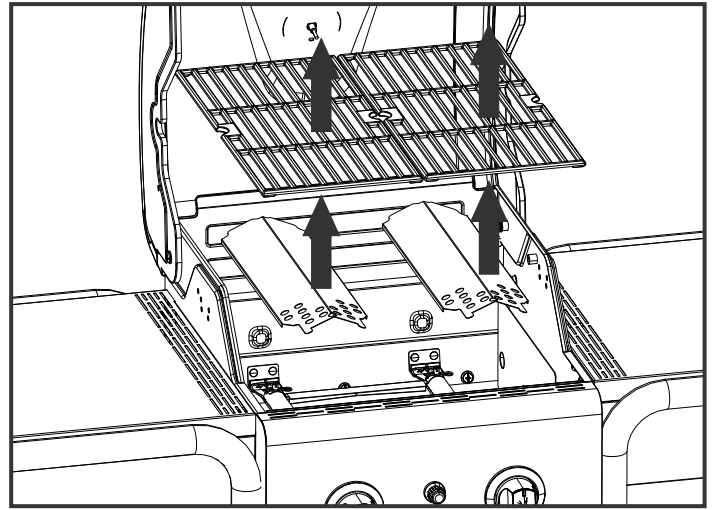
Om grillen är svår att tända eller om lågan är svag kontrollerar du och rengör venturirören och brännarna.

Spindlar eller små insekter skapar ofta "bakeldsproblem" genom att bygga bon och lägga ägg i grillens venturirör eller brännare, vilket kan hindra gasflödet. Den ansamlade gasen kan antändas bakom kontrollpanelen. Denna bakeld kan skada grillen och orsaka skador. Förebygg bakeld och säkerställ god prestanda genom att ta bort och rengöra brännaren och venturirören när anordningen har stått oanvänd under en längre tid.

## Instruktioner för tändning med träkol

1. När grillen är kall tar du bort grillgallren.
2. Lägg träkol i grillen.
3. Lägg ett enda lager av träkol i facket. Max. 0.9 kg.
4. Sätt tillbaka grillgaller.
5. Med locket öppet tänder du brännare enligt **instruktionerna för tändning med gas**.
6. Använd gasolbrännare på 🔥 HIGH i 15 minuter med locket stängt.
7. Vrid kontrollvreden till O (av).
8. Öppna locket och vänta 5 minuter eller tills kolen blir vit innan du lägger på maten.
9. Laga inte innan bränslet har en beläggning av aska.

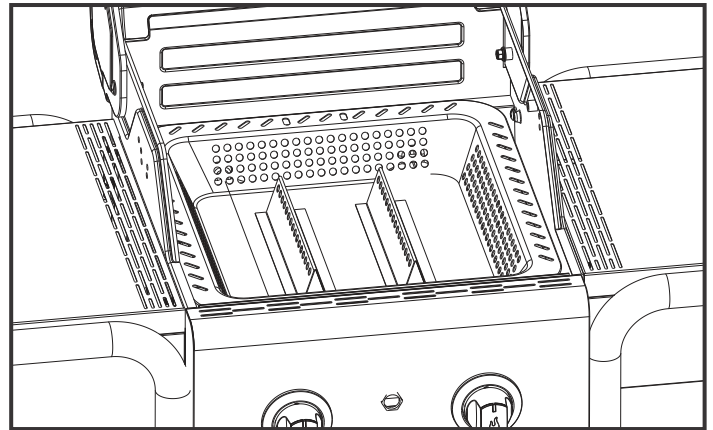
**OBS:** Grillen ska värmas upp och bränslet höll glödhet i minst 30 minuter före första kock.



Ta bort grillgaller och Heat Tält

**VARNING**

- Använd inte gasolbrännare i mer än 15 minuter när du använder träkol.
- **VARNING!** Använd inte sprit eller bensin för att tända grillen. Använd endast braständare som efterlever EN1860-3!
- Använd aldrig tändvätska, fotogen, bensin eller alkohol för att tända kolen.
- Använd aldrig träbitar eller portionspåsar med kol i din grill.
- Tänd **ENDAST** kolen med träkolsbrickan ordentligt på plats i brännarhuset. **Se figur.**
- Avlägsna träkolsbrickan från brännarhuset och förvara den när du endast använder grillen med gasol.
- Använd inte gasolbrännaren med träkolsbrickan i brännarhuset utan någon kol i.



Korrekt placering av träkolsbricka

**VARNING**

**FARA FÖR KOLMONOXID** Brinnande träkol i grillen kan vara dödlig. Det avger kolmonoxid, vilket är luktfritt. Använd **ALDRIG** träkol inomhus, i bilen eller i tält.

**VARNING**

När en koleld verkar ha slocknat kan oförbrukade bitar hålla värmen i upp till 24 timmar, och om de utsätts för frisk luft kan de plötsligt fatta eld. Alla sådana bitar som hamnar utanför brännarhuset utgör en brandfara, då de kan antända brännbara ytor som till exempel trädäck.

## Rengöringsrekommendationer

- Du måste rengöra grillen efter varje gång du har använt träkol.
- Se till att kolen har slocknat helt och att grillen har svalnat tillräckligt före rengöringen.
- Avlägsna träkolsbrickan och rensa ut all aska.

**OBS!** Efter användning kan det hända att träkolsbrickan blir missfärgad. Detta är normalt under användning.



## Rengöra brännaren

Follow these instructions to clean and/or replace parts of burner assembly or if you have trouble igniting barbecue.

1. Stäng av gasen med kontrollvreden och på LP-flaskan.
2. Ta bort grillgaller och värmetält.
3. Ta bort överföringsrör och komponenter som håller fast brännare.
4. Koppla från elektrod från brännare.

**OBS!** Metod för avlägsnande/frånkoppling beror på brännarkonfiguration. Se olika konfigurationer i illustrationerna nedan.

5. Lyft försiktigt upp brännarna bort från ventilöppningarna. Vi föreslår tre olika sätt för att rengöra brännarrören. Använd det sätt som du tycker är enklast.

**A.** Böj en styv ståltråd (en lätt galge fungerar bra) till en liten krok. Kör kroken genom varje brännarrör flera gånger.



**B.** Använd en smal flaskborste med ett böjligt skaft (använd inte en borste i mässing). Kör borsten genom varje brännarrör flera gånger.

**C. Använd skyddsglasögon:** Använd en luftslang för att blåsa in luft i brännarröret och ut genom brännarportharna. Kontrollera varje port för att säkerställa att luften kommer ut genom alla hål.

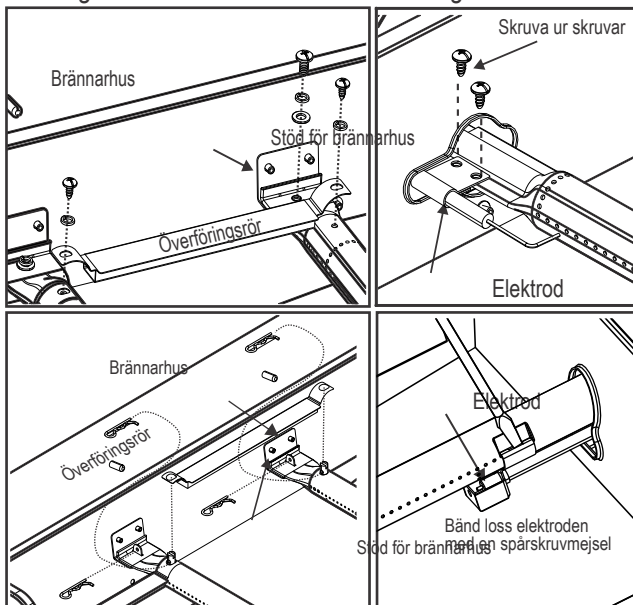
6. Borsta hela den yttre ytan på brännaren med en stålborste för att få bort matrester och smuts.
7. Rengör eventuella blockerade portar med en styv ståltråd, som till exempel ett öppnat gem.
8. Kontrollera att brännaren inte är skadad. På grund av normalt slitage och korrosion kan vissa hål förstöras. Om du upptäcker några stora sprickor eller hål byter du ut brännaren.

**MYCKET VIKTIGT: Brännarrör måste återanslutas till ventilöppningar. Se illustrationer till höger.**



### Korrekt förbindelse mellan brännare och ventil

9. Fäst elektrod till brännare.
10. Byt försiktigt ut brännare.
11. Montera brännare till fästena i brännarhuset.
12. Sätt tillbaka överföringsrör och fäst till brännare. Sätt tillbaka värmetält och grillgaller.
13. Innan du använder grillen igen bör du genomföra ett "läckagetest" och en "kontroll av brännarlåga".



## Förvara grillen

- Rengör grillgaller.
- Förvara på en torr plats.
- När gasflaskan är ansluten till grillen ska den förvaras utomhus på en välventilerad plats, utom räckhåll för barn.
- Täck över grillen om den förvaras utomhus.
- Förvara grillen inomhus ENDAST om gasflaskan är avstängd och frånkopplad, har avlägsnats från grillen och förvaras utomhus.
- När du tar fram grillen igen kontrollerar du att inga brännare är igentäpta.

## Rengöra grillen

- Rengör grillen ofta, helst efter varje gång den har använts. Om en borste används för rengöring av grillens tillagningsytor bör du se till att inga lösa borststrån finns kvar på tillagningsytan innan du börjar grilla. Du rekommenderas inte att rengöra tillagningsytor när grillen är varm. Grillen bör rengöras minst en gång per år.
- Förväxla inte brun eller svart ansamling av fett och rök med färg. Insidan av gasogrillar målas inte i fabriken (och bör aldrig målas). Använd en stark lösning av rengöringsmedel och vatten, eller använd ett rengöringsredskap med skrubborste på insidan av grillens lock och botten. Plastic parts: Wash with warm soapy water and wipe dry. Skölj och låt lufttorka helt. Använd inte frätande rengöringsmedel eller ugnsgörare på målade ytor.
- Plastdelar: Tvätta med varmt tvålsvatten och torka av.
- Använd inte citrisol, rengöringsmedel med slipmedel, avfettningsmedel eller koncentrerad grillrengöring på plastdelarna. Detta kan orsaka skador och fel på delarna.
- Målade ytor: Tvätta med ett mildt rengöringsmedel eller rengöringsmedel utan slipmedel och varmt tvålsvatten. Torka av med en mjuk trasa.
- Ytor av rostfritt stål: Bibehåll grillens högkvalitativa utseende genom att, efter varje användning, tvätta ytor av rostfritt stål med ett mildt rengöringsmedel och varmt tvålsvatten. Torka sedan av med en mjuk trasa. Fettavlagringar från tillagningen kan kräva att du använder en skursvamp. Använd endast i den borstade ytans riktning för att undvika skador. Använd inte en skursvamp på områden med bilder.
- Tillagningsytor: Om en borste används för rengöring av grillens tillagningsytor bör du se till att inga lösa borststrån finns kvar på tillagningsytan innan du börjar grilla. Du rekommenderas inte att rengöra tillagningsytor när grillen är varm.

**TEKNISKA SPECIFIKATIONER**  
**CHAR-BROIL, GmbH**

Anordningens namn	Gasolgrill			
Total nominell värmeförsörjning	8,2 kW (597 g/tim.)			
Gaskategori	I3+(28-30/37)	I3B/P(30)	I3B/P(50)	
Modellnr	468301221			468302221
Gastyp	Butan	Propan	Butan, propan och blandningar av dessa	Butan, propan och blandningar av dessa
Gaströck	28-30 mbar	37 mbar	28-30 mbar	50 mbar
Injektorstorlek (dia. i mm)	Grill: 1,04 x 2 st		Grill: 1,04 x 2 st	Grill: 0,92 x 2 st
Destinationer	GB, FR, BE, ES, IT, PT, CZ, SK, CH, CY, GR, IE, LT, LU, LV, SI	DK, NO, NL, SE, FI, IS, CZ, IT, SK, BG, CY, EE, HR, HU, LT, LU, LV, MT, RO, SI, TR	AT, DE, CH, LU, SK	
Strömförsörjning	1.5VDC Batteri			

**VARNING!**

De flesta ytor på denna enhet är heta när de används. Var försiktig. Förvara andra från enheten. Använd alltid skyddskläder för att förhindra skada.

Flytta inte enheten under drift.

Byt aldrig bensen, fotogen eller alkohol för träkolstart. I detta fall kan paraffinbaserade startkubbar ersättas med träkolstart. Använd aldrig kolstartsvätska med elstart.

Underlåtenhet att följa alla tillverkarens instruktioner kan leda till allvarliga personskador och / eller egendomsskador.

Alla ytor kan vara heta under användning. Använd skydd som krävs för att förhindra bränning.

Använd inte denna enhet på eller nära brännbara ytor eller strukturer som trädäck, torra löv eller gräs, vinyl eller träfasad etc.

After a charcoal fire appears extinguished, unconsumed embers can retain heat for up to 24 hours, and if exposed to fresh air, can burst into flame unexpectedly. Any such embers outside the firebox of the barbecue pose a fire hazard and can ignite combustible surfaces such as wooden decks.

Efter att ett kol visas, släckt, kan obesvarade embers behålla värme i upp till 24 timmar, och om de utsätts för frisk luft kan de oväntat brista in i flamma. Eventuella brännskador utesluter brandfara och kan antända brännbara ytor som trädäck.

**KOLMONOXIDFARA**

Brinnande kol inuti kan döda dig. Den avger kolmonoxid, som inte har någon lukt. Bränn aldrig kol inomhus, fordon eller tält.

**Koka inte innan bränslet har en beläggingskaka.**

**VARNING! - Den här grillen blir väldigt varm, rör dig inte under drift.**

**Använd inte inomhus.**

**VARNING! Använd INTE ande eller bensen för belysning eller återbelysning! Använd endast eldrivare som uppfyller EN 1860-3!**

**VARNING! Håll barn och husdjur borta.**

Underlåtenhet att läsa och följa instruktionerna för ljuskalk kan resultera i allvarliga personskador och eller skador på egendom.

**ANVÄND ALLTID FÖRSIKTIGT UNDER HANTERING VARMA KOLOR FÖR ATT FÖRSÄLJA SKADOR.**

**LÄS ALLTID BRANDEN MED BARBECUE-LIDEN ÖPPEN.**

## ASENTAJA/KOKOAJA:

Jätä tämä käsikirja kuluttajalle.

## KULUTTAJA:

Säilytä käyttöohje myöhempää tarvetta varten.

## Kysymykset:

Jos sinulla on kysymyksiä asennuksen aikana tai laitteen käyttöön liittyen, ota yhteyttä paikalliseen myyjään.



## VAARA



Jos tunnet kaasun hajua:

1. Sammuta laitteen kaasu.
2. Avotulet sammutettava.
3. Avaa kansi.
4. Jos haju jatkuu, pysy poissa laitteen läheisyydestä ja soita välittömästi kaasun toimittajillesi tai palokunnalle.



## VAROITUS



1. Älä säilytä tai käytä bensiiniä tai muita palavia nesteitä tämän tai muiden laitteiden läheisyydessä.
2. Kaasupulloa, jota ei ole yhdistetty käyttöön, ei saa säilyttää tämän, tai muiden laitteiden läheisyydessä.



## VAROITUS



- Lue ja noudata kaikkia turvallisuuslupia, asennusohjeita sekä käytä ja noudata ohjeita ennen kuin yrität koota ja kokata.
- Joissakin osissa saattaa olla teräviä reunoja. Pukeutuminen suojakäsineisiin suotavaa.

### Rasvapalot

- Rasvapalon sammuttaminen sulkemalla kansi ei ole mahdollista. Grillit ovat hyvin tuuletettavia turvallisuussyistä.
- Älä käytä vettä on rasvapaloon, seurauksena saattaa olla Jos sitkeä rasvapalo kehittyy, käänne säätimiä ja kaasupullo pois päältä.
- Jos laitetta ei ole puhdistettu säännöllisesti, rasva voi alkaa palaa ja vahingoittaa tuotetta. Kiinnitä huomiota, kun esilämmityksen tai pohjaanpalaneen ruoan yhteydessä rasvapalo ei pääse kehittymään. Seuraa laitteen yleisiä siivoukseen sekä polttimen kokoonpanon puhdistukseen liittyviä ohjeita estääksesi mahdolliset rasvapalot. Paras tapa estää rasvapalot, on laitteen säännöllinen puhdistus.
- Älä jätä grilliä valvomatta esilämmityksen aikana tai polttaessasi pois ruoan jäämiä HI:lla. Jos grilliä ei ole puhdistettu säännöllisesti, rasva voi alkaa palaa ja vahingoittaa tuotetta.



## VAROITUS



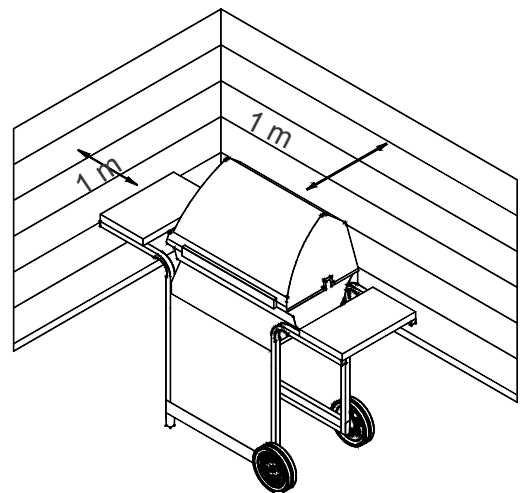
### Laitteesi turvalliseen käyttöön sekä vakavien vahinkojen välttämiseksi:

• KÄYTÄ AINOASTAAN ULKONA. ÄLÄ KOSKAAN KÄYTÄ SISÄTILOISSA.

Lue ohjeet ennen laitteen käyttöönottoa.

Noudata aina näitä ohjeita.

- Älä siirrä laitetta käytön aikana.
- Osat saattavat olla hyvin kuumia. Pidä pienet lapset poissa. Älä anna lasten käyttää tai leikkiä laitteella.
- Katkaise kaasun tulo kaasupullostta käytön jälkeen.
- Laite on pidettävä erillään palavista materiaaleista käytön aikana.
- Älä tuki laitteen sivuilla tai takana olevia reikiä.
- Tarkista poltin liekit säännöllisesti.
- Älä peitä polttimen venturin aukkoja.
- Käytä laitetta ainoastaan hyvin ilmastoidussa tilassa. ÄLÄ KOSKAAN käytä suljetussa tilassa, kuten autokatos, autotalli, kuisti, katettu terassi tai minkä tahansa ylärakenteen alla.
- ÄLÄ peitä ritilöitä alumiinifoliolla tai millään muullakaan materiaalilla. Tämä estää polttimen ilmanvaihdon ja aiheuttaa mahdollisen vaarallisen tilanteen joka voi johtaa omaisuusvahinkoon ja / tai henkilövahinkoon.
- Käytä laitetta vähintään 1m mistä tahansa seinästä tai pinnasta.
- Säilytä 3m etäisyys esineistä, jotka voivat syttyä palamaan, tai sytytyslähteen kuten veden lämmittimien sytytysliekin, elävän sähkölaitteen, jne.



- ÄLÄ KOSKAAN yritä sytyttää poltinta kansi suljettuna. Ei-sytytetyn kaasun kertyminen suljetussa laitteessa on vaarallista.
- Katkaise aina kaasu kaasupullostta ja irrota säädin ennen kaasupullon siirtämistä määriteltyyn toiminta-asentoon.
- Älä koskaan käytä laitetta kaasupullon ollessa pois oikeasta asennostaan.
- Älä tee muutoksia laitteeseen. Kaikki tämän laitteen muuntelut on ehdottomasti kielletty. Käyttäjän ei tule käsitellä sinetöityjä osia. Älä pura suuttimia.

## Turvallisuusvinkkejä

- Ennen kaasupullon venttiilin avaamista, tarkista säätimen tiiviys.
- Kun laite ei ole käytössä, sammuta kaikki säätimet ja kaasu.
- Käytä pitkävartisia grilliastioita ja patakintaita palovammojen sekä roiskeiden välttämiseksi. Käytä suojakäsineitä käsitellessäsi kuumia osia.
- Suurin keittolevyn ja sivuhyllyn kuormitus on 4,5 Kg.
- Kypsennysastian minimihalkaisija 200mm ja suurin halkaisija 260mm.
- Rasvakuppi (jos varusteena) on asetettava laitteeseen ja tyhjennettävä jokaisen käyttökerran jälkeen. Älä poista rasvakuppia ennenkuin laite on täysin jäähtynyt.
- Ole varovainen, kun avaat kannen, koska avatessa saattaa tulla kuumaa höyryä.
- Ole hyvin varovainen lasten, vanhusten, tai eläinten ollessa läheisyydessä.
- Jos huomaat rasvan tai muiden kuumien materiaalien tippuvan laitteesta venttiilin, letkun tai säätimen päälle, katkaise kaasu heti. Määritä syy, korjaa se, sitten puhdista ja tarkasta venttiili, letku, ja säädin ennen jatkamista. Suorita vuototesti.
- Älä säilytä esineitä tai materiaaleja laitteen sisällä kärryssä, jotka estäisivät palamisilman virtauksen alapintaan joko ohjauspaneeliin tai tulipesän kulhoon.
- Älä irrota tai vaihda kaasusäiliötä vähintään 3 m avotulesta tai muusta sytytyslähteestä.

## Kaasupullon Sijoittaminen

Kaasupullo, joka on 6 kg tai vähemmän, voidaan sijoittaa maahan sivuhyllyn alle tai laitteen sisälle määriteltyyn paikkaan. Suuremmat kaasupullot on asetettava ainoastaan joko sivuhyllyn alle tai grillin taakse. Laitteeseen sijoitettavat kaasupullot saavat olla halkaisijaltaan enintään 345 mm ja suurimmalta korkeudeltaan 430 mm. Maahan asetettuja kaasupulloja ei saa sijoittaa keittolevyn alle.

## Säädintä koskevat vaatimukset

Säädintä on käytettävä laitteen kanssa. Käytä ainoastaan kaasusäädintä, joka on toimitettu laitteen mukana. Jos säädintä ei ole toimitettu, käytä vain sertifioitua säädintä EN 16129 (virtausnopeus maks. 1,5 kg / h) ja joka on hyväksytty maassasi ja täyttää kaasun määrätykset Teknisissä Tiedoissa.

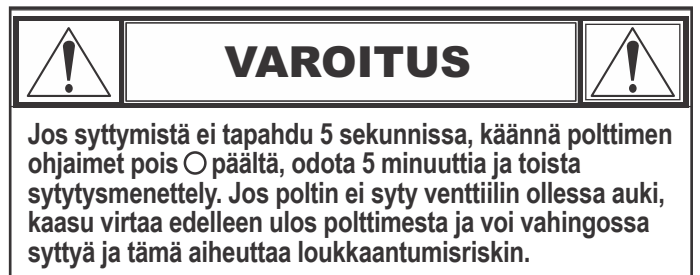
## Letkua koskevat Vaatimukset

Käytä vain hyväksyttyä letkua ja joka on sertifioitu EN standardin mukaisesti ja on enintään 1,5 m pitkä. Suomen osalta letkun pituus saa olla enintään 1,2 m. Ennen jokaista käyttöä, tarkista onko että letku katkennut tai kulunut. Varmista että letku ei ole mutkalla. Varmista, että yhdistettynä letku ei osu kuumiin pintoihin. Vaihda vaurioituneet letkut ennen laitteen käyttöä. Vaihda letku kansallisten vaatimusten mukaan.

Grilli on asennettava turvalliseen tasolle ennen käyttöä.

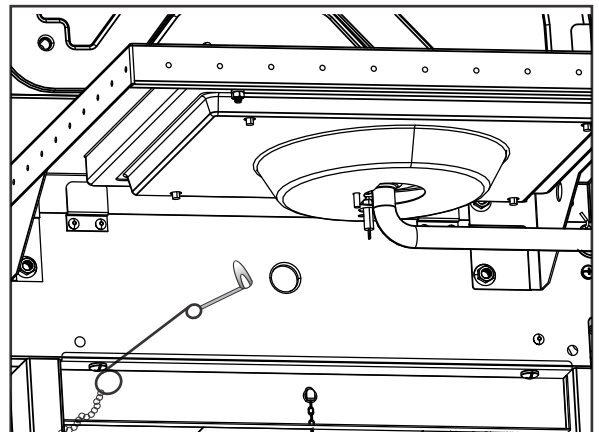
## Kaasupalon Ohjeet - Sytyttimen sytytys

- **Älä kumarru grillin yli sytytyksen aikana.**
- 1. Käännä kaasupolttimen säätöventtiilit ○ (pois).
- 2. Avaa kansi sytytyksen aikana tai uudelleen sytyttäessä.
- 3. Kytke kaasu päälle kaasupullosta.
- 4. Syttyä, työnnä ja käännä sytytyspolttimelle nappulaa ⚡ high 🔻. Välittömästi, työnnä ja pidä electronic ignitor painiketta, kunnes poltin syttyy.
- 5. Jos syttymistä ei tapahdu 5 sekunnissa, käännä polttimen ohjaimet pois ○ päältä, odota 5 minuuttia ja toista sytytysmenettely.
- 6. Sytyttäessä jäljellä olevat polttimet, käännä säädintä 🔻 HIGH -asentoon, alkaen SYTYTYSPOLTINTA lähimpänä olevasta ⚡ polttimesta.



## Sytytys tulitikulla

- **Älä kumarru grillin yli sytytyksen aikana.**
- 1. Käännä kaasupolttimen säätöventtiilit ○ (pois).
- 2. Avaa kansi sytytyksen aikana tai uudelleen sytyttäessä.
- 3. Kytke kaasu päälle kaasupullosta.
- 4. Aseta tulitikku tulitikkupidikkeeseen (roikkuu grillin sivupaneelissa). Sytytä tulitikku; Sytytä sitten poltin asettamalla tulitikku läpi grillin sivussa olevasta tulitikkureiästä. ja käännä polttimen nuppia välittömästi 🔻 HIGH -asentoon. Varmista, että poltin syttyy ja palaa tasaisesti.
- 5. Sytytä vierekkäiset polttimet järjestyksessä painamalla nuppeja ja kääntämällä 🔻 HIGH -asentoon.



## HUOMAUTUS: Grilliäsi EI VOI varustaa Keittolevyllä!

### Keittolevyn Sytyttimen Sytytys

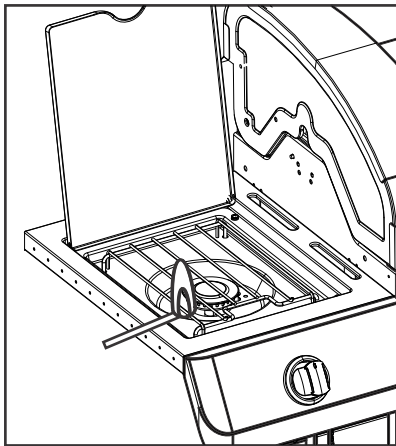
#### • Älä kumarru grillin yli sytytyksen aikana.

1. Käännä kaasupolttimen säätöventtiilit ○ (off).
2. Avaa kansi sytytyksen aikana tai uudelleen sytyttäessä.
3. Kytke kaasu päälle kaasupullosta.
4. Käännä keittolevyn nuppi 🔥 HIGH -asentoon, työnnä ja pidä **ELECTRONIC IGNITOR** -painiketta alhaalla.
5. Jos keittolevy ei syty 5 sekunnin kuluessa, käännä nuppi ○ (pois), odota 5 minuuttia, sitten toista sytytysmenettely.

### Keittolevyn Sytytys Tulitikulla

#### • Älä kumarru grillin yli sytytyksen aikana.

1. Käännä kaasupolttimen säätöventtiilit ○ (pois).
2. Avaa kansi sytytyksen aikana tai uudelleen sytyttäessä.
3. Kytke kaasu päälle kaasupullosta.
4. Aseta tulitikun liekki lähelle poltinta. Käännä välittömästi keittolevyn nuppi 🔥 HIGH -asentoon. Varmista, että poltin syttyy ja palaa tasaisesti.



### Venttiilien, Letkun ja Säätimen Vuototestaus

Vuototesti ennen ensimmäistä käyttöä, vähintään kerran vuodessa, ja joka kerta kaasupullo vaihdettaessa tai irrottaessa.

Kaasupullo vaihdetaan tai irrotetaan.

1. Käännä laitteen kaikki ohjausnupit ○.
2. Varmista, että säädin on tiiviisti kytketty kaasupulloon.
3. Kytke Kaasu. Jos kuulet kohisevaa ääntä, käännä kaasu pois päältä välittömästi. Liitoksessa on suuri vuoto. Korjaa ennen jatkamista.
4. Harjaa saippualliuoksella (sekoitus puolet saippuaa ja puolet vettä) letkuliitännät.
5. Jos kuplia alkaa kehittyä, on siinä vuoto. Katkaise kaasupullosta välittömästi ja tarkista liitosten pitävyys. Jos vuotoa ei voida pysäyttää älä yritä korjata. Edellyttää varaosia.
6. Katkaise aina kaasu kaasupullosta vuototestin suorittamisen jälkeen.

### JOS LAITE EI SYTY

- Varmista että kaasu on kytkettynä päälle kaasupullosta.
- Varmista että kaasupullossa on kaasua.
- Tekeekö sytytin kipinöintiä?  
Jos tekee, tarkista polttimen kipinöinti.  
Ellei kipinöi, tarkista onko vahingoittuneita tai irtonaisia johtoja.
- Jos johdot ovat kunnossa, tarkista onko vaurioituneita elektrodeja, vaihda tarvittaessa.
- Jos johdossa tai elektrodeissa on ruoanlaitosta jäämiä, pyyhi elektrodin kärki alkoholilla tarvittaessa.
- Tarvittaessa vaihda johdot.
- Jos ääntä ei kuulu tarkistaa akku.
- Varmista, että akku on asennettu oikein.
- Tarkista, ovatko moduulin ja kytkimen johtojen liitännät löysiä.
- Jos sytytin ei edelleenkään toimi, käytä tulitikkuja.

## VAROITUS

### HÄMÄHÄKKIHÄLYTYS!

#### HÄMÄHÄKKI JA VERKOT POLTTIMEN SISÄLLÄ

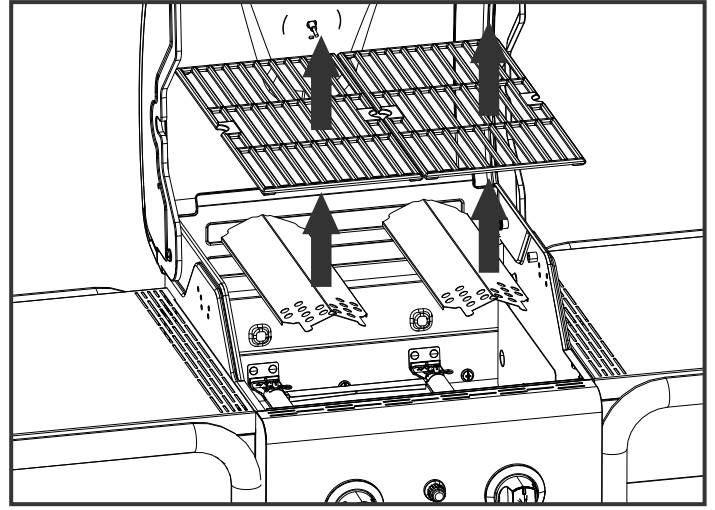
Jos grillisi sytyttäminen vaikeutuu tai liekki on heikko, tarkista ja puhdista venturit ja polttimet.

Hämähäkkien tai pienten hyönteisten tiedetään aiheuttavan "flashback" -ongelmia rakentamalla pesiä ja laskemalla munia grillin ventureihin tai polttimiin estäen kaasun virtausta. Tiivistynyt kaasu voi syttyä ohjauspaneelin takana. Tämä "flashback" voi vahingoittaa grilliä ja aiheuttaa vammoja. Estämään "flashback" ja varmistamaan hyvä suorituskyky, poltin ja venturiletkun asennus tulisi poistaa ja puhdistaa aina, kun grilli on ollut käyttämättömänä pitkään.


## Hiilien Sytytysohjeet

1. Grillin ollessa kylmä, poista grilliritilät.
2. Aseta hiilikasetti grilliin.
3. Laita yksi kerros hiiltä hiilikasettiin enimmäismäärältään 0.9 kg.
4. Aseta grilliritilät takaisin.
5. Kannen ollessa auki, sytytä polttimet käyttäen **Kaasun sytytysohjeita**.
6. Käytä kaasupolttimia HIGH -asennossa 15 minuutin ajan kansi suljettuna.
7. Käännä säätimet nupit O -asentoon (pois).
8. Avaa kansi ja odota 5 minuuttia, tai kunnes hiili muuttuu valkoiseksi, ennen ruoan lisäämistä.
9. Älä valmista ennen polttoaine on pinnoite tuhkaa.

**HUOM:** Grilli tulee kuumentaa ja polttoaineen pidettiin Red Hot vähintään 30 minuuttia ennen ensimmäisen kokki.



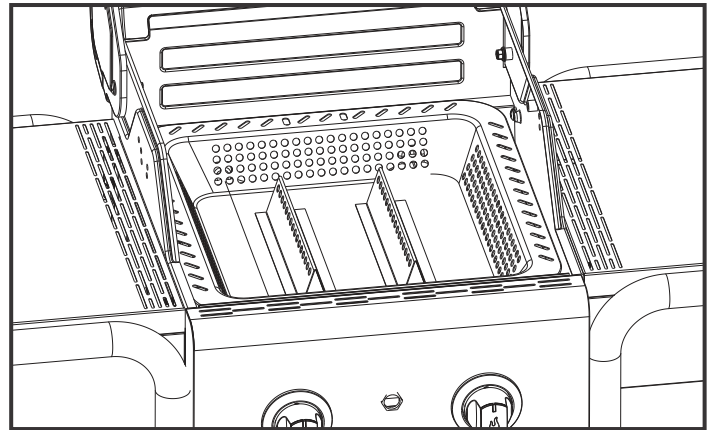
Poista Cooking Säleiköt ja Heat Teltat




### Varoitus




- Älä käytä kaasupolttimia yli 15 minuuttia, kun käytät hiiltä.
- **VAROITUS!** Älä käytä alkoholia tai bensiiniä sytytykseen tai uudelleensytytykseen! Käytä vain sytyttimiä, jotka ovat standardin EN1860-3 mukaisia!
- Älä käytä sytytysnestettä, petrolia, bensiiniä tai alkoholia hiiltä sytyttäessä.
- Älä käytä puuta palasina tai leimahtavaa sytytystä grillissä.
- Aloita hiilostus VAIN hiilikasetin ollessa oikein sijoitettuna tulipesässä. Katso kuva.
- Poista hiilikasetti tulipesästä ja varastoi käytettäessä grilliä vain kaasulla.
- Älä käytä kaasupoltinta hiilikasetin ollessa asennettuna tulipesässä ilman hiiltä.




Asianmukainen Hiilikasetin sijoittaminen




### Varoitus



**HIILIMONOKSIDIVAARA** Hiilen polttaminen sisällä voi tappaa sinut. Se synnyttää hiilimonoksidia, joka ei haise. ÄLÄ KOSKAAN polta hiiltä sisällä kodeissa, ajoneuvoissa tai teltoissa.



### Varoitus



Vaikka hiillos näyttää sammuneelta, voi palamatta jäänyt hiillos pysyä kuumana jopa 24 tuntia, ja jos hiillos saa raitista ilmaa, voi liekki leimahtaa yllättäen. Kaikki tällaiset hiilokset grillin tulipesän ulkopuolella saattavat aiheuttaa palovaaran ja sytyttää palavia pintoja kuten puisia kansiä.

## Puhdistus suositukset

- Siivoa grilli jokaisen hiilen käyttötarpeen yhteydessä.
- Varmista, että hiilet ovat täysin sammuneet ja laite jäähtynyt riittävästi ennen puhdistusta.
- Poista hiilikasetti ja puhdista täysin tuhasta.

**Huomautus:** Käytön jälkeen hiilikasetti voi värjätä. Tämä on normaalia käytön aikana.

## Polttimen asennuksen puhdistus

Noudata näitä ohjeita puhdistessa ja/tai vaihtaessa osia polttimen asennuksessa tai jos sinulla on ongelmia grilliä sytyttäessä.

1. Katkaise kaasu pois säädinnupeista ja kaasupullost.
2. Poista grilliritilä ja lämmönjakopelti.
3. Poista siirtohormet ja polttimien turvaamisen työkalut.
4. Irrota elektrodi polttimesta.

**HUOMAUTUS:** Poisto- / Irrotusmenetelmä riippuu polttimen kokoonpanosta. Katso eri kokoonpanot alla olevista kuvista.

5. Nosta kukin poltin varovasti ylös ja pois päin venttiilin aukoista. Ehdotamme kolme tapaa puhdistaa polttimen putket. Käytä yhtä helpointa sinulle.
  - A. Taivuta jäykkä johto (kevyt vaateripustin toimii hyvin) pieneen koukkuun. Aja koukku jokaisen poltinputken läpi useita kertoja.

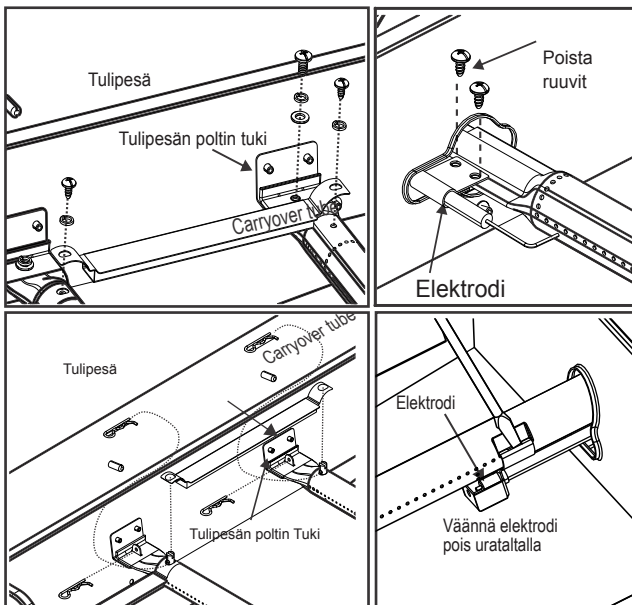
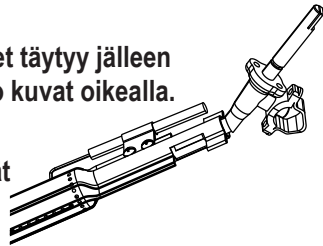


- B. Käytä kapeaa pulloharjaa jossa joustava kahva (älä käytä messinkistä teräsharjaa). Aja harja jokaisen poltinputken läpi useita kertoja.
  - C. **Käytä suojalaseja:** Käytä ilmaletkua pakottamaan ilma polttimen putkeen ja ulos polttimen porteista. Tarkista kukin portti ja varmista ilman ulostulo kustakin reiästä.
6. Teräsharjalla koko ulkopinta poltin poistaa ruuanjäänteet ja lian.
  7. Puhdista tukossa olevat portit jäykällä johdolla kuten aukaistulla paperiliittimellä.
  8. Tarkista, onko polttimeen syntynyt normaalin kulumisen ja korroosion aiheuttamia vahinkoja, jotkut reiät voivat olla laajentuneita. Jos suuria halkeamia tai reikiä löytyy, vaihda poltin.

**HYVIN TÄRKEÄÄ:** Poltinputket täytyy jälleen kytkeä esisäätöarvoilla. Katso kuvat oikealla.

### Korjaa poltin-venttiilin kytkennät

9. Kiinnitä elektrodi polttimeen.
10. Vaihda polttimet varovasti.
11. Kiinnitä polttimet tulipesän kannakkeisiin.
12. Siirrä siirtohormet ja liitä polttimiin. Vaihda lämmönjakopellit ja grilliritilät.
13. Ennen seuraavaa kypsennystä grillillä, suorita "Vuototesti" ja "Polttimen Liekin Tarkistus".



## Laitteesi Varastointi

- Puhdista grilliritilät.
- Säilytä kuivassa tilassa.
- Kun kaasupullo on liitettyyn laitteeseen, varastoi ulkona hyvin tuuletettavassa tilassa ja poissa lasten ulottuvilta.
- Peitä laite, jos sitä säilytetään ulkona.
- Säilytä laitetta sisätiloissa VAIN, jos kaasupullo on kytketty pois päältä ja irrotettu, poistettu laitteesta ja varastoituna ulkona.
- Laitetta siirtäessä pois varastoinnista tarkista, että polttimissa ei ole tukoksia

## Laitteen Yleinen Puhdistus

- Puhdista laite usein, suositus jokaisen kypsennyksen jälkeen. Jos laitteen paistopinnan puhdistuksessa käytetään harjaa, varmista että harjaksia ei jää paistopinnoille ennen grillausta. Ei ole suositeltavaa puhdistaa paistopintaa, kun laite on kuuma. Laite tulee puhdistaa vähintään kerran vuodessa.
- Älä sekoita ruskean tai mustan rasvan kertymiä rasvaa ja maalin polttoa. Kaasugrillien sisätiloja ei maalata tehtaalla (eikä pitäisi koskaan maalata). Levitä voimakasta puhdistusainetta ja vettä tai käytä laitteen puhdistusainetta ja jynssäysharpaa laitteen kannen sisäisivuihin sekä pohjaan.
- Huuhtelee ja anna kuivua täysin. Älä käytä syövyttäviä aineita laitteen / uuninpuhdistusainetta maalatuille pinnoille.
- Muoviosat: Pese lämpimällä saippuavedellä ja kuivaa.
- Älä käytä citrasolvaa, hankaavia puhdistusaineita, rasvanpoltoaineita tai konsentroitua puhdistusainetta muoviosiin. Tämä voi aiheuttaa vaurioita tai vikoja osiin.
- Posliini pinnat: Lasimaisesta koostumuksesta johtuen useimmat jäämät voidaan pyyhkiä ruokasoodalla / vesiliuoksella tai erityisesti posliinille kehitetyllä puhdistusaineella. Käytä hankaamatonta pesujauhetta tahroihin.
- Maalatut pinnat: Pese miedolla pesuaineella tai ei hankaavia puhdistusaineita ja lämmintä saippuavettä. Kuivaa pehmeällä hankaamattomalla kankaalla.
- Ruostumattomat teräspinnat: Laitteen korkealaatuinen ulkonäkö voidaan säilyttää pesemällä miedolla pesuaineella ja lämpimällä saippuavedellä ja pyyhi kuivaksi pehmeällä liinalla jokaisen käytön jälkeen. Tarttunut rasva voi vaatia käytettäväksi hiovaa muovista puhdistustyynyä. Käytä vain harjatun viimeistelyn suuntaan vahinkojen välttämiseksi. Älä käytä hankaustyynyjä alueille, joissa gorafiikkaa.
- Keittotasot: Jos laitteen paistopinnan puhdistuksessa käytetään harjaa, varmista että harjaksia ei jää paistopinnoille ennen grillausta. Ei ole suositeltavaa puhdistaa paistopintaa, kun laite on kuuma.

TEKNISET TIEDOT  
CHAR-BROIL, GmbH

Laitteen Nimi	Kaasugrilli/Grilli			
Nimellislämpöteho	8,2 kW (597 g/h)			
Kaasukategoria	I3+(28-30/37)	I3B/P(30)	I3B/P(50)	
Mallinro.	468301221			468302221
Kaasutyyppe	Butaani	Propani	Butaani, Propani tai niiden seokset	Butaani, Propani tai niiden seokset
Kaasun Paine	28-30 mbar	37 mbar	28-30 mbar	50 mbar
Suuttimen Koko (Halk. mm)	Grilli: 1,04 x 2 pcs		Grilli: 1,04 x 2 pcs	Grilli: 0,92 x 2 pcs
Kohdemaat	GB, FR, BE, ES, IT, PT, CZ, SK, CH, CY, GR, IE, LT, LU, LV, SI	DK, NO, NL, SE, FI, IS, CZ, IT, SK, BG, CY, EE, HR, HU, LT, LU, LV, MT, RO, SI, TR	AT, DE, CH, LU, SK	
Sähköinen	1.5VDC akku			

### VAROITUS!

Useimmat tämän laitteen yksiköt ovat kuumia käytettäessä. Käytä äärimmäistä varovaisuutta. Pidä muut irti yksiköstä Käytä suojavaatetusta aina vammojen ehkäisemiseksi.

Älä siirrä laitetta käytön aikana.

Älä koskaan korvaa bensiiniä, kerosiiniä tai alkoholia puuhiilen käynnistimelle. Tässä tapauksessa parafiinipohjaiset käynnistyskuutiota voidaan korvata puuhiilen käynnistimellä. Älä koskaan käytä puuhiilen käynnistysnestettä sähköisellä käynnistimellä.

Kaikki pinnat voivat olla kuumia käytön aikana. Käytä suojelua tarpeen mukaan polttamisen estämiseksi.

Älä käytä tätä laitetta palavien pintojen tai rakenteiden läheisyydessä tai niiden läheisyydessä, kuten puulattiat, kuivat lehdet tai ruoho, vinyyli- tai puunsuojaus jne.

Sen jälkeen, kun hiilipalo paljastuu sammumattomana, ei-kuluttavat hiutaleet voivat säilyttää lämpöä jopa 24 tuntia, ja jos ne altistuvat raikkaaseen ilmaan, ne voivat syttyä liekkiin yllättäen. Kaikki sellaiset hiutaleet, jotka ovat grillin ulkopuolella, aiheuttavat palovaaran ja voivat syttyä palavia pintoja, kuten puupaloja.

Kaikkien valmistajan ohjeiden noudattamatta jättäminen voi aiheuttaa vakavia henkilövahinkoja ja / tai omaisuusvahinkoja.

### CARBON MONOXIDE VAARA

Polttava puuhiili voi tappaa sinut. Se antaa hiilimonoksidia, jolla ei ole hajua. ÄLÄ KOSKAAN polttaa puuhiiltä koteihin, ajoneuvoihin tai teltoihin.

Älä keitä ennen kuin polttoaineessa on päällystystuhkaa.

**VAROITUS!** - tämä grilli tulee hyvin kuumaksi, ÄLÄ siirrä sitä käytön aikana.

Älä käytä sisätiloissa.

**VAROITUS! ÄLÄ** käytä henkeä tai bensiiniä valaistukseen tai uudelleen valaistukseen! Käytä vain EN 1860-3 -standardin mukaisia syyttimiä!

**VAROITUS!** Pidä lapset ja lemmikit pois.

KÄYTTÖÖNOTTO JA LASKENTAMINEN SÄILYTTÄMISEKSI MAHDOLLISESTI HENKILÖVAHINKOON TAI OMAISUUDESTA.

AINA KÄYTÄ VAROITUS KÄYTTÄMÄLLÄ KUUMAHIIHAA VAHINKOJEN ESTÄMISEKSI.

AINA VALAISTA TULIPAA BARBECUE LID AUKI.



## INSTALADOR/ENSAMBLADOR:

Entregue este manual al consumidor.

## CONSUMIDOR:

Conserve este manual para futura referencia.

## Preguntas:

Si tiene preguntas durante el ensamble o uso de este aparato contacte a su distribuidor local.



## PELIGRO



Si huele a gas:

1. Cierre el suministro de gas del aparato..
2. Apague todas las llamas abiertas.
3. Abra la tapa.
4. Si el olor persiste, aléjese del aparato e inmediatamente llame a su proveedor de gas o al departamento de bomberos.



## ADVERTENCIA



1. No almacene ni use petróleo u otros líquidos inflamables cerca de este u otro aparato.
2. Cuando el cilindro de gas no está en uso no debe almacenarse cerca de este ni de otro aparato.



## PRECAUCIÓN



- Lea y siga todas las declaraciones de seguridad, instrucciones de ensamble, uso y cuidado antes de intentar ensamblar o cocinar.
- Algunas partes pueden contener bordes afilados. Se recomienda usar guantes protectores.

### Fuego de grasa

- No es posible apagar los incendios de grasas cerrando la tapa. Las barbacoas están bien ventiladas por motivos de seguridad.
- No use agua en un fuego de grasa, puede ocasionar lesiones personales. Si se desarrolla un fuego de grasa persistente, apague los botones y cierre el cilindro de gas.
- Si el aparato no se ha limpiado periódicamente, puede ocurrir un fuego de grasa que puede dañar el producto. Ponga especial cuidado al precalentar o quemar residuos de comida, para asegurarse que no se desarrolle un fuego de grasa. Siga las instrucciones generales de limpieza del aparato y limpieza del conjunto de quemadores para prevenir los fuegos de grasa. La mejor forma de prevenir los fuegos de grasa es la limpieza periódica del aparato.
- No deje la barbacoa en HIGHT (alto) desatendida mientras se precalienta o quema residuos de comida. Si la barbacoa no se limpia regularmente, puede ocurrir un incendio de grasas que puede dañar el producto.



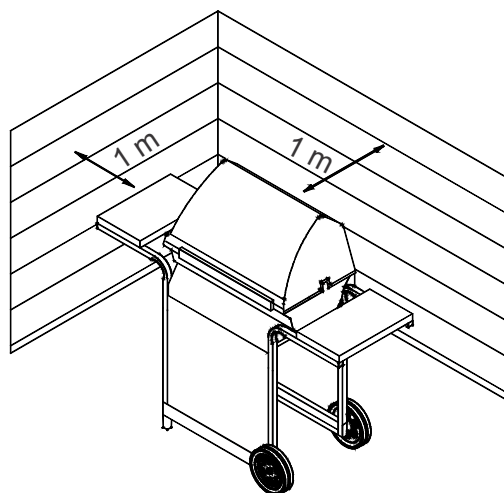
## ADVERTENCIA



Para el uso seguro de su aparato y evitar lesiones serias:

• **USO ÚNICAMENTE EN EXTERIORES. NUNCA LO USE EN INTERIORES.** Lea las instrucciones antes de usar este aparato. Siga siempre estas instrucciones.

- No mueva el aparato cuando está en uso.
- Las partes accesibles pueden estar muy calientes. Mantenga los niños menores alejados. No permita que los niños operen o jueguen cerca del aparato.
- Cierre el suministro de gas en el cilindro luego de usarlo.
- Este aparato debe mantenerse alejado de materiales inflamables durante su uso.
- No bloquee los agujeros a los lados o respaldo del aparato.
- Revise periódicamente la llama de los quemadores.
- No bloquee las aberturas de los venturís del quemador.
- Use el aparato solo en un lugar bien ventilado. NUNCA lo use en un espacio cerrado, tal como una cochera, garaje, veranda, patio cubierto o debajo de una estructura cubierta de cualquier tipo.
- **NO** cubra las parrillas con papel aluminio ni otro material. Esto bloquea la ventilación de los quemadores y crea una situación potencialmente peligrosa que puede ocasionar daños a la propiedad y/o lesiones personales.
- **Use el aparato al menos a 1 metro de cualquier pared o superficie.**
- Mantenga un espacio libre de 3 metros de los objetos que pueden encenderse, tales como luces piloto de calentadores de agua, electrodomésticos conectados, etc.



- NUNCA intente encender los quemadores con la tapa cerrada. La acumulación de gas sin encender dentro del aparato cerrado es peligrosa.
- Siempre cierre el gas en el cilindro y desconecte el regulador antes de cambiar el cilindro de la posición de operación especificada.
- Nunca opere el aparato con el cilindro de gas por fuera de la posición correcta especificada.
- No modifique el aparato. Todas las modificaciones están estrictamente prohibidas. Las piezas selladas no deben ser manipuladas por el usuario. No desarme los inyectores.

## Consejos de seguridad

- Antes de abrir la válvula del cilindro de gas, revise que el regulador esté apretado.
- Cuando no use el aparato, apague todas las perillas de control y cierre el gas.
- Use utensilios para barbacoa largos y guantes para horno para evitar quemaduras y salpicaduras. Use guantes protectores cuando manipule componentes calientes.
- La carga máxima para la placa caliente y la bandeja lateral, es 4,5 kilos.
- El recipiente de cocción debe tener un diámetro mínimo de 200 mm y máximo de 260 mm.
- La taza de grasas (si cuenta con ella) debe estar colocada en el aparato y se debe desocupar después de cada uso. No retire la taza de grasas hasta que el aparato se haya enfriado completamente.
- Sea muy cuidadoso al abrir la tapa, ya que el vapor caliente puede escapar.
- Sea muy cuidadoso cuando haya niños, ancianos o mascotas cerca.
- Si nota que escurre grasa y otro material caliente del aparato, en la válvula, manguera o regulador, cierre el suministro de gas inmediatamente. Determine la causa, corrija, luego limpie e
- inspeccione la válvula, manguera y regulador antes de continuar usándolo. Realice una prueba de fugas.
- No almacene objetos o materiales dentro de la canasta del carro del aparato, que puedan bloquear el flujo del aire de combustión para la parte inferior, el panel de control o la taza de la caja de fuego.
- NO desconecte o cambie el recipiente de gas a menos de 3 metros de una llama abierta o fuente de ignición.

## Ubicación del cilindro

Los cilindros de 6 kg o menos pueden ponerse en el piso bajo el estante lateral o dentro del aparato en el lugar proporcionado. Los cilindros más grandes únicamente deben ponerse debajo de la bandeja lateral o detrás de la barbacoa. Los cilindros puestos en el aparato deben tener un diámetro máximo de 345 mm y una altura máxima de 430 mm. Los cilindros que se ubican en el piso no deben ser puestos bajo la placa caliente.

## Requisitos del regulador

Se debe usar un regulador con este aparato. Use únicamente el regulador de gas suministrado con la barbacoa. Si no se suministra un regulador, entonces use únicamente un regulador certificado de acuerdo con EN16129 (Flujo máx. 1,5 kg/h), aprobado para su país y para el gas especificado en los datos técnicos.

## Requerimientos de manguera

Únicamente use mangueras aprobadas que hayan sido certificadas al estándar EN y que no excedan una longitud de 1,5 m. Para Finlandia, la longitud total de la manguera no debe exceder 1,2 m.


Antes de cada uso, compruebe que las mangueras no estén cortadas o desgastadas. Asegúrese que la manguera no esté retorcida. Asegúrese que cuando está conectada, la manguera no toque superficies calientes. Reemplace las mangueras dañadas antes de usar el aparato. Reemplace la manguera de acuerdo con los requerimientos nacionales. requirements.

## Las instrucciones de encendido de gas - Encender con el encendedor

### •No se incline sobre la barbacoa al encenderla.

1. Gire las válvulas de control de los quemadores a ○ (apagado).
2. Abra la tapa durante el encendido o reencendido.
3. Abra el gas en el cilindro de LP.
4. Para encender, empuje y gire el mando del quemador de encendido ↗ a HIGH ↕. Inmediatamente, presione y mantenga presionado el botón ELECTRONIC IGNITOR hasta que el quemador se ilumine.
5. Si el quemador NO enciende en 5 segundos, gire el control del quemador a la posición OFF (apagado) ○, espere 5 minutos y repita el proceso de encendido.
6. Para encender los quemadores restantes, gire la perilla a la posición ↕ HIGH (alto) comenzando con los botones más cercanos al IGNITION BURNER (quemador de encendido ↗).

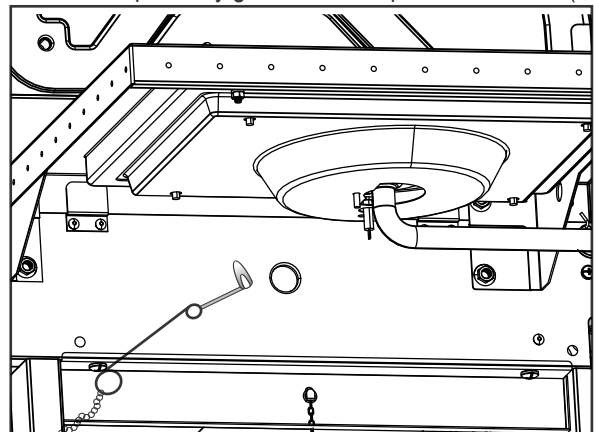
	<b>ADVERTENCIA</b>	
<b>Apague los controles y cierre el cilindro de gas cuando no use el aparato.</b>		

	<b>PRECAUCIÓN</b>	
<b>Si el quemador NO enciende en 5 segundos, gire el control ○ del quemador a la posición OFF (apagado), espere 5 minutos y repita el proceso de encendido. Si el quemador no enciende con la válvula abierta, el gas continuará saliendo del quemador y puede encenderse accidentalmente con riesgo de lesiones.</b>		

## Encendido con cerilla

### • No se incline sobre la barbacoa al encenderla.

1. Gire las válvulas de control de los quemadores a ○ (apagado).
2. Abra la tapa durante el encendido o reencendido.
3. Abra el gas en el cilindro de LP.
4. Ponga la cerilla en el soporte para cerillas (cuelga del panel lateral de la barbacoa). Encienda la cerilla, luego encienda el quemador poniendo la cerilla por el agujero para cerillas a un lado de la barbacoa. Inmediatamente presione y gire la perilla del quemador a la posición ↕ HIGH (alto). Asegúrese que el quemador enciende y se mantiene encendido.
5. Encienda los quemadores adyacentes en secuencia, presionando las perillas y girándolas a la posición ↕ HIGH (alto).



**NOTA: ¡Su barbacoa puede NO tener una placa caliente!**

### Encender la placa caliente con el encendedor

• **No se incline sobre la barbacoa al encenderla.**

1. Gire las válvulas de control de los quemadores a ○ (apagado).
2. Abra la tapa durante el encendido o reencendido.
3. Abra el gas en el cilindro de LP.
4. Gire la perilla de la placa caliente a la posición 🔼 HIGH (alto), presione y mantenga presionado el botón

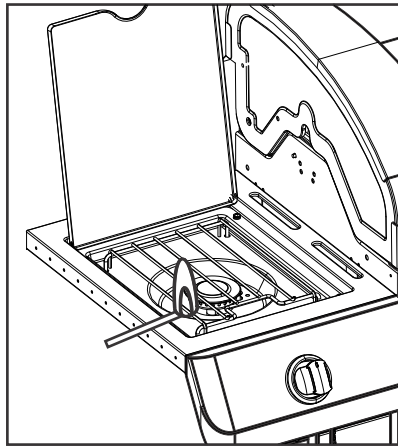
**ELECTRONIC IGNITOR** (encendedor electrónico).

5. Si la placa caliente NO enciende en 5 segundos, gire la perilla a la posición OFF ○ (apagado), espere 5 minutos y luego repita el procedimiento de encendido.

### Encender la placa caliente con cerillas

• **No se incline sobre la barbacoa al encenderla.**

1. Gire las válvulas de control de los quemadores a ○ (apagado).
2. Abra la tapa durante el encendido o reencendido.
3. Abra el gas en el cilindro de LP.
4. Encienda la cerilla cerca al quemador. Inmediatamente gire la perilla de la placa caliente a la posición 🔼 HIGH (alto).  
Asegúrese que el quemador enciende y se mantiene encendido.



### Prueba de fugas de válvulas, manguera y regulador

Revise que no haya fugas antes del primer uso, una vez al año y cada vez que cambia o desconecta el cilindro de gas.

1. Ponga todas las perillas de control del aparato en la posición
2. Asegúrese que el regulador está firmemente conectado al cilindro de gas.
3. Cierre el gas. Si escucha un siseo, cierre el gas de inmediato. Hay una fuga de gas grande en la conexión. Corríjala antes de continuar.
4. Aplique una solución jabonosa (mezcla por mitad de jabón y agua) a las conexiones de la manguera.
5. Si aparecen burbujas que crecen, hay una fuga. Cierre inmediatamente el gas en el cilindro y compruebe que las conexiones estén apretadas. Si no se puede detener la fuga, no intente una reparación. Llame para solicitar piezas de reemplazo.
6. Siempre cierre el gas en el cilindro antes de realizar la prueba de fugas.

### SI EL APARATO NO ENCIENDE

- Asegúrese que el gas esté abierto en el cilindro.
- Asegúrese haya gas en el cilindro.
- ¿El encendedor hace un sonido de chispa?
- Si lo hace, revise la chispa en el quemador.
- Si no hay chispa, revise que no haya cables dañados o sueltos.
- Si los cables están bien, revise que el electrodo no esté fracturado o roto y reemplácelo si es necesario.
- Si los cables o electrodos están cubiertos por residuos de comida, limpie la punta del electrodo con una toallita con alcohol, si es necesario.
- Si es necesario, reemplace los cables.
- Si no hay sonido, revise la batería.
- Asegúrese que la batería está instalada correctamente.
- Revise que no haya conexiones del cable sueltas en el módulo y el interruptor.
- Si el encendedor sigue sin funcionar, use cerillas.

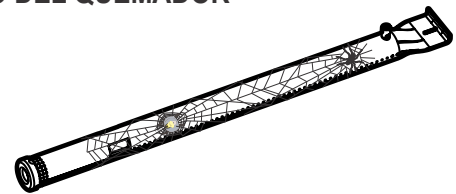


## PRECAUCIÓN



### ¡ALERTA DE ARAÑAS!

ARAÑAS Y TELARAÑAS  
DENTRO DEL QUEMADOR



Si su barbacoa se hace difícil de encender o la llama es débil, compruebe y limpie los venturís y quemadores.

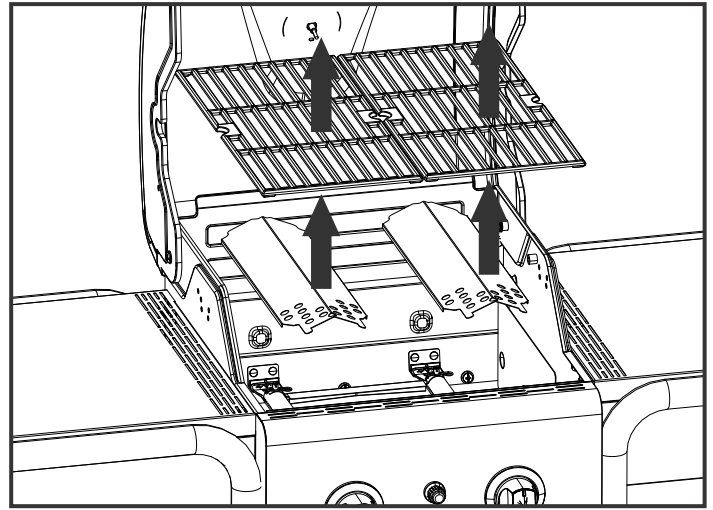
Se conoce que las arañas e insectos pequeños ocasionan problemas de "fogonazos" al construir nidos y poner huevos en los venturís o quemadores, obstruyendo el paso de gas. El gas acumulado puede encenderse detrás del panel de control. El fogonazo puede dañar la barbacoa y ocasionar lesiones. Para evitar los fogonazos y asegurar un buen desempeño, el conjunto de venturi y tubo inyector debe ser retirado y limpiado cuando la barbacoa no ha sido usada por un periodo prolongado de tiempo.

La barbacoa debe instalarse en una base nivelada segura antes de su uso.

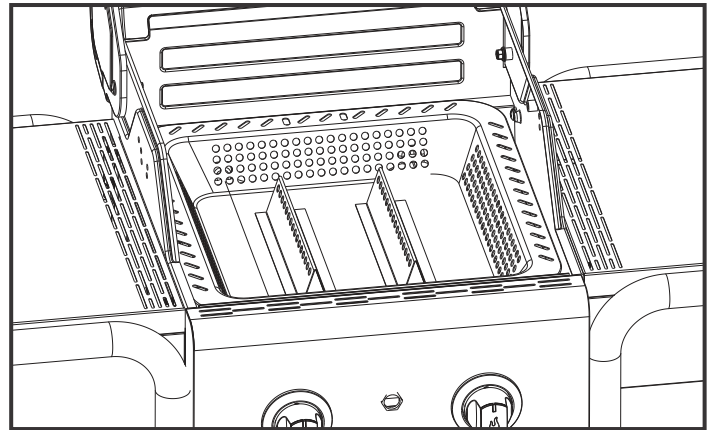
## Instrucciones para encender el carbón

1. Con la barbacoa fría, retire las parrillas de cocción.
2. Ponga la bandeja de carbón en la barbacoa.
3. Ponga una sola capa de carbón en la bandeja, máximo 0.9 kg.
4. Vuelva a poner las parrillas de cocción.
5. Con la tapa abierta, encienda los quemadores usando las instrucciones para Encender con gas.
6. Opere los quemadores de gas en 🔥 HIGHT (alto) durante 15 minutos con la tapa cerrada.
7. Gire las perillas de control a apagado ○ (off).
8. Abra la tapa y espere 5 minutos, o hasta que el carbón esté blanco, antes de añadir alimentos. before adding food.
9. No cocine antes de que el combustible tenga un revestimiento de cenizas.

**NOTA:** La barbacoa debe calentarse y el combustible se mantendrá caliente durante al menos 30 minutos antes de su primera cocción.



Quite las parrillas de cocinar y las tiendas de calor



Colocación correcta de la bandeja de carbón

**ADVERTENCIA**

- **No opere los quemadores de gas por más de 15 minutos al usar carbón.**
- **¡ADVERTENCIA! ¡No utilice bebidas alcohólicas o gasolina para el encendido o para volver a encender el fuego! ¡Utilice únicamente encendedores de lumbre que cumplan con EN1860-3!**
- **Nunca use fluido encendedor, queroseno, gasolina o alcohol para encender el carbón.**
- **Nunca use trozos de madera o fuego instantáneo en la barbacoa.**
- **Prenda el carbón ÚNICAMENTE con la bandeja de carbón colocada correctamente en la caja de fuego. Vea la figura.**
- **Retire la bandeja de carbón de la caja de fuego y almacénela cuando use la barbacoa solo con gas.**
- **No opere el quemador de gas con la bandeja de carbón instalada en la caja de fuego sin carbón. the firebox without charcoal.**

**ADVERTENCIA**

**PELIGRO DE MONÓXIDO DE CARBONO** Quemar carbón en interiores puede matarlo. Emite monóxido de carbono, que es inodoro. NUNCA queme carbón dentro de casas, vehículos o tiendas.

**ADVERTENCIA**

Después que el carbón parece haberse extinguido, las brasas sin consumir pueden retener calor hasta por 24 horas, y si hay aire fresco, pueden encenderse llamas inesperadamente. Estas brasas por fuera de la caja de fuego de la barbacoa constituyen un riesgo de incendio y pueden incendiar superficies combustibles tales como las terrazas de madera.

## Recomendaciones de limpieza

- Es necesario limpiar la barbacoa luego de cada uso con carbón.
- Asegúrese que los carbones se hayan extinguido completamente y que la unidad se haya enfriado adecuadamente antes de limpiarla.
- Retire la bandeja de carbón y limpie todas las cenizas.

**Nota:** Luego de usarla, la bandeja de carbón se puede decolorar. Esto es normal durante el uso.

## Limpiar el conjunto quemador

Siga estas instrucciones para limpiar y/o reemplazar piezas del conjunto quemador, o si tiene problemas para encender la barbacoa.

1. **Apague el gas en las perillas de control y cierre el cilindro de gas LP .**
  2. Retire las parillas de cocción y los difusores de calor.
  3. Retire los tubos de transferencia y las piezas que aseguran los quemadores.
  4. Quite el electrodo del quemador.
- NOTA:** El método para quitar/remover dependerá de la configuración del quemador. Vea a continuación diferentes configuraciones en las ilustraciones.
5. Levante cuidadosamente cada quemador hacia arriba y alejando de las aberturas de las válvulas. Sugerimos tres formas de limpiar los tubos quemadores. Use la que le parezca más fácil.

**A.** Doble un alambre rígido (un gancho para la ropa ligero funciona bien) formando un pequeño gancho. Pase el gancho varias veces por cada tubo quemador.



**B.** Use un cepillo de biberón angosto con mango flexible (no use una brocha de alambre de bronce). Pase el cepillo varias veces por cada tubo quemador.

**C. Use protección para los ojos:** Use una manguera de aire para forzar aire en el tubo quemador y hacia afuera de los puertos de los quemadores. Revise todos los puertos para asegurarse que sale aire de todos.

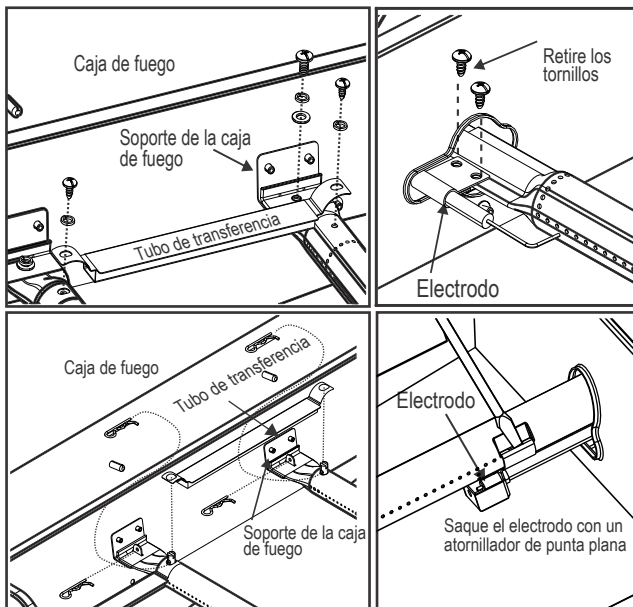
6. Limpie con una brocha de alambre la superficie exterior del quemador para eliminar los residuos de comida y tierra.
7. Limpie las partes bloqueadas con un alambre rígido, tal como un clip de papel abierto.
8. Revise que el quemador no tenga daños debido al uso normal y corrosión, algunos agujeros se pueden agrandar. Si encuentra grietas grandes o agujeros, reemplace el quemador.

**MUY IMPORTANTE: Los tubos de los quemadores deben acoplarse de nuevo en las aberturas de las válvulas. Vea las ilustraciones a la derecha.**

**Acople correcto quemador a válvula**



9. Fije el electrodo al quemador.
10. Reemplace los quemadores cuidadosamente.
11. Fije los quemadores con soportes a la caja de fuego.
12. Posicione de nuevo los tubos de transferencia y acople los quemadores. Reemplace los difusores de calor y las parillas de cocción.
13. Antes de cocinar nuevamente en la barbacoa, realice una "Prueba de fugas" y una "Comprobación de llama del quemador".



## Almacenar su aparato

- Limpie las parillas de cocción.
- Almacene en un lugar seco.
- Cuando el cilindro de gas está conectado al aparato, almacene en exteriores en un lugar bien ventilado y lejos del alcance de los niños.
- Cubra el aparato si lo almacena en exteriores.
- Almacene el aparato en interiores ÚNICAMENTE si el cilindro de gas está cerrado y desconectado, retirado del aparato y almacenado en exteriores.

Al sacar el aparato del almacenamiento, revise que no haya obstrucciones en los quemadores.

## Limpieza general del aparato

- Limpie el aparato con frecuencia, preferiblemente después de cada uso. Si se usa un cepillo de cerdas para limpiar las superficies de cocción del aparato antes de asar, asegúrese que no queden cerdas sueltas en las superficies de cocción. No se recomienda limpiar la superficie de cocción cuando el aparato está caliente. El aparato debe limpiarse al menos una vez al año.
- No confunda con pintura la acumulación negra o café de grasa o humo. Los interiores de las barbacoas de gas no se pintan en la fábrica (y nunca deben pintarse). Aplique una solución de detergente fuerte y agua, o use un limpiador de aparatos, cepillando el interior de la tapa y fondo del aparato.
- Enjuague y permita que se seque completamente al aire. No aplique limpiadores de aparatos/hornos cáusticos a las superficies pintadas.
- Parte plásticas: Lave con agua tibia jabonosa y seque con un trapo.
- No use citrisol, limpiadores abrasivos, desengrasantes o limpiadores concentrados para aparatos en las partes plásticas. Puede ocasionar daños y averías a las piezas.
- Superficies de porcelana: Debido a su composición parecida al vidrio, la mayoría de los residuos pueden limpiarse con una solución de agua y soda, o un limpiador especialmente formulado. Use polvo desengrasante no abrasivo para las manchas difíciles.
- Superficies pintadas: Lave con detergente suave o limpiador no abrasivo y agua tibia jabonosa. Seque con un trapo suave no abrasivo.
- Superficies de acero inoxidable: Para conservar la apariencia de alta calidad de su aparato, lave con un detergente suave y agua caliente jabonosa y seque con un trapo suave luego de cada uso.
- Los depósitos de grasa quemada pueden requerir el uso de una espuma limpiadora abrasiva de plástico. Use solamente en dirección del acabado bruñido para evitar daños. No use la espuma abrasiva en áreas con dibujos.
- Superficies de cocción: Si se usa un cepillo de cerdas para limpiar las superficies de cocción del aparato antes de asar, asegúrese que no queden cerdas sueltas en las superficies de cocción. No se recomienda limpiar las superficies de cocción cuando el aparato está caliente.

**DATOS TÉCNICOS**  
CHAR-BROIL, GmbH

Nombre del aparato	Barbacoa a gas/parrilla a gas			
Entrada de calor nominal	8,2 kW (597 g/h)			
Categoría de gas	I3+(28-30/37)	I3B/P(30)	I3B/P(50)	
Modelo No.	468301221			468302221
Tipo de gas	Butano	Propano	Butano, propano o sus mezclas	Butano, propano o sus mezclas
Presión del gas	28-30 mbar	37 mbar	28-30 mbar	50 mbar
Tamaño de inyectores (Diám. en mm)	Barbacoa: 1,04 x 2 piezas		Barbacoa: 1,04 x 2 piezas	Barbacoa: 0,92 x 2 piezas
Países destino	GB, FR, BE, ES, IT, PT, CZ, SK, CH, CY, GR, IE, LT, LU, LV, SI		DK, NO, NL, SE, FI, IS, CZ, IT, SK, BG, CY, EE, HR, HU, LT, LU, LV, MT, RO, SI, TR	AT, DE, CH, LU, SK
Suministro eléctrico	1.5VDC Batería			

**¡ADVERTENCIA!**

La mayoría las superficies de esta unidad están calientes durante el uso. Use precaución extrema. Mantenga las demás personas lejos de la unidad. Siempre use ropa protectora para evitar lesiones.

No mueva esta unidad durante la operación.

Nunca use gasolina, kerosene o alcohol en vez de encendedor de carbón. En este caso, se puede sustituir el encendedor de carbón con cubos encendedores de parafina. Nunca use el fluido encendedor de carbón con un encendedor eléctrico.

La omisión de seguir todas las instrucciones del fabricante puede resultar en lesiones personales serias o daño a la propiedad.

Durante el uso todas las superficies pueden calentarse. Use la protección necesaria para evitar quemaduras.

No use esta unidad cerca o en superficies combustibles o de estructuras tales como terrazas de madera, hojas o pasto seco, paredes de madera o vinilo, etc.

Después que el carbón parece haberse extinguido, las brasas sin consumir pueden retener calor hasta por 24 horas, y si se exponen a aire fresco, pueden encender llamas inesperadamente. Estas brasas por fuera de la caja de fuego del asador constituyen un riesgo de incendio y pueden incendiar superficies combustibles tales como las terrazas de madera.

**PELIGRO POR MONÓXIDO DE CARBONO**

Quemar carbón en interiores puede matarlo. Emite monóxido de carbono, que es inodoro. NUNCA queme carbón dentro de casas, vehículos o tiendas.

No cocine antes de que el combustible tenga una capa de cenizas.

**¡ADVERTENCIA!** - esta barbacoa se pondrá muy caliente, NO la mueva durante el funcionamiento.

No lo utilice en interiores.

**¡ADVERTENCIA!** ¡NO use alcohol ni gasolina para iluminar o re-iluminar! ¡Utilice únicamente encendedores según EN 1860-3!

**¡ADVERTENCIA!** Mantenga alejados a los niños y las mascotas.

## INSTALADOR/MONTADOR:

Deixe este manual com o consumidor.

## CONSUMIDOR:

Guarde este manual para referência futura.

## Perguntas:

Se tiver alguma questão durante a montagem ou utilização deste aparelho contacte o seu distribuidor local.



## PERIGO



Se lhe cheirar a gás:

1. Desligue o gás do aparelho.
2. Apague todas as chamas abertas.
3. Abra a tampa.
4. Se o odor persistir, mantenha-se longe do aparelho e ligue imediatamente para o seu distribuidor de gás ou para os bombeiros.



## AVISO



1. Não guarde ou use gasolina ou outros líquidos inflamáveis nas proximidades deste ou de qualquer outro aparelho.
2. Uma botija de gás que não esteja ligada para ser usada não deve ser guardada nas proximidades deste ou de qualquer outro aparelho.



## ATENÇÃO



- Leia e siga todos os manifestos de segurança, instruções de montagem e indicações de manutenção e utilização antes de tentar montar o aparelho e cozinhar.
- Algumas partes podem ter rebordos afiados. É recomendado que use luvas de proteção.

### Fogos de Gordura

- Não é possível apagar fogos de gordura ao fechar da tampa. Os grelhadores são bem ventilados, por razões de segurança.
- Não use água com um fogo de gordura. Pode resultar em lesões pessoais. Se se der um fogo de gordura persistente, desligue os reguladores e a botija de gás.
- Se o aparelho não for limpo com regularidade, pode ocorrer um fogo de gordura que o pode danificar. Tome muita atenção durante o pré-aquecimento ou enquanto queima resíduos de comida para se assegurar que não se desenvolve um fogo de gordura. Siga as gerais de limpeza do aparelho e de limpeza da montagem dos queimadores para prevenir fogos de gordura. A melhor forma de prevenir fogos de gordura é limpar regularmente o aparelho.
- Não deixe o grelhador desacompanhado enquanto estiver a aquecer ou a queimar resíduos de gordura no HI. Se o grelhador não for limpo regularmente, pode dar-se um fogo de gordura que pode danificar o produto.



## AVISO



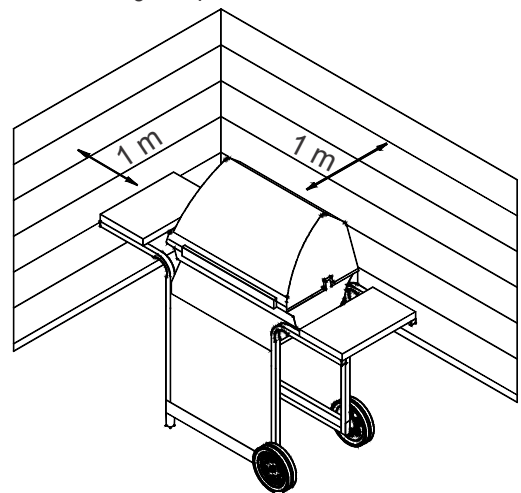
### Para Um Uso Seguro do Seu Aparelho e para Evitar Lesões Graves:

• **USE SOMENTE NO EXTERIOR. NUNCA USE NO INTERIOR.**

**Leia as instruções antes de usar o aparelho.**

**Siga sempre estas instruções.**

- Não movimente o aparelho durante a sua utilização.
- As partes acessíveis podem estar muito quentes. Não deixe que as crianças operem ou brinquem perto do aparelho.
- Desligue o fornecimento de gás no cilindro depois de usar.
- Este aparelho tem de ser afastado de materiais inflamáveis durante a sua utilização.
- Não bloqueie os furos nos lados ou na traseira do aparelho.
- Verifique as chamas dos queimadores com regularidade.
- Não bloqueie as aberturas de venturi no queimador
- Use o aparelho somente em espaços bem ventilados. **NUNCA** use em espaços fechados tais como estacionamentos cobertos, garagens, alpendres, pátios cobertos, ou debaixo de qualquer estrutura de cobertura.
- Não use carvão ou briquetes de cerâmica num aparelho a gás.
- **NÃO** cubra as grelhas com folha de alumínio ou qualquer outro material. Isto irá bloquear a ventilação do queimador e criar uma condição potencialmente perigosa que pode resultar em lesões pessoais e/ou danos materiais.
- Use o aparelho a pelo menos 1m de distância de qualquer parede ou superfície.
- Mantenha 3m de distância para objetos que possam pegar fogo ou de fontes de ignição, tais como chamas-piloto, aquecedores de água, aparelhos elétricos acesos, etc.



- Nunca tente ligar um queimador com a tampa fechada. Uma acumulação de gás por queimar dentro de um aparelho fechado é perigosa.
- Desligue sempre o gás na botija e desligue o regulador antes de mover a botija de gás da posição de funcionamento especificada.
- Nunca ponha o aparelho a funcionar com a botija de gás fora da correta posição especificada.
- Não modifique o aparelho. Quaisquer modificações são estritamente proibidas. As peças seladas não são para ser manipuladas pelo utilizador. Não desmonte os injetores.

## Dicas de Segurança

- Antes de abrir a válvula da botija de gás, verifique a estanquicidade do regulador.
- Quando o aparelho não esteja a ser usado, desligue todos os botões de controlo e o gás.
- Utilize utensílios de grelhador com pegas longas e luvas de forno para evitar queimaduras e salpicos. Use luvas de proteção quando estiver a manipular componentes quentes.
- A carga máxima do fogareiro, se equipada, e da prateleira lateral é de 4,5 Kg. O diâmetro mínimo da superfície de cozedura é de 200mm e o máximo de 260mm. NOTA: O seu grelhador pode NÃO estar equipado com um Fogareiro!
- O copo de gordura (se equipado) deve ser inserido no aparelho e esvaziado depois de cada utilização. Não retire o copo de gordura até que o aparelho tenha arrefecido completamente.
- Tenha muito cuidado quando abrir a tampa, uma vez que pode libertar-se vapor quente.
- Tenha muito cuidado quando crianças, idosos ou animais de estimação estejam próximos.
- Se notar que gordura ou qualquer outro material quente está a pingar do aparelho para a válvula, mangueira ou regulador, desligue imediatamente o fornecimento de gás.
- Determine a causa, corrija-a, e depois limpe e inspecione a válvula, mangueira e regulador antes de prosseguir.
- Faça um teste de fugas.
- Não guarde objetos ou materiais dentro da parte fechada do carrinho do aparelho que possam bloquear o fluxo de combustão de ar para a parte de baixo tanto do painel de controlo como da bacia da fornalha.
- NÃO desligue ou troque o contentor de gás num raio de 3m de uma chama aberta ou outra fonte de ignição

### Posicionamento da Botija

Uma botija de 6kg ou menos pode ser posicionada no chão, debaixo da prateleira lateral, ou dentro do aparelho no lugar designado. Botijas maiores apenas devem ser posicionadas debaixo da prateleira lateral ou por detrás do grelhador. As botijas colocadas dentro do aparelho devem ter um diâmetro máximo de 345mm e a altura máxima de 430mm. As botijas colocadas no chão não devem ser postas por baixo do fogareiro.

### Requerimentos do Redutor

Deve ser utilizado um redutor com este aparelho. Use apenas o redutor de gás fornecido com o seu grelhador. Se não lhe for fornecido um redutor, então use um certificado pela norma EN16129 (Caudal máx. 1,5kg/h) e aprovada para o seu país e o gás especificados nos Dados Técnicos.

### Requerimentos da Mangueira

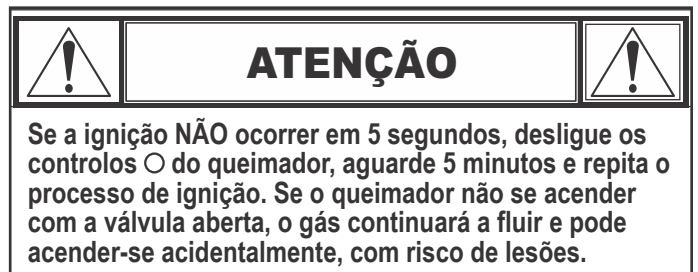
Use apenas mangueiras aprovadas, que são certificadas pela norma EN padrão apropriada e que não excedem os 1,5m de comprimento. Na Finlândia, o comprimento da mangueira não deve exceder os 1,2m.

Antes de cada utilização, verifique se as suas mangueiras estão cortadas ou gastas. Assegure-se de que a mangueira não está dobrada. Assegure-se de que, quando esteja ligada, a mangueira não toca em nenhuma superfície quente. Substitua as mangueiras danificadas antes de usar o aparelho. Substitua a mangueira seguindo os requerimentos nacionais.

## Instruções de ignição de gás - Acender com dispositivo de ignição

- Não se incline sobre o grelhador ao acendê-lo.

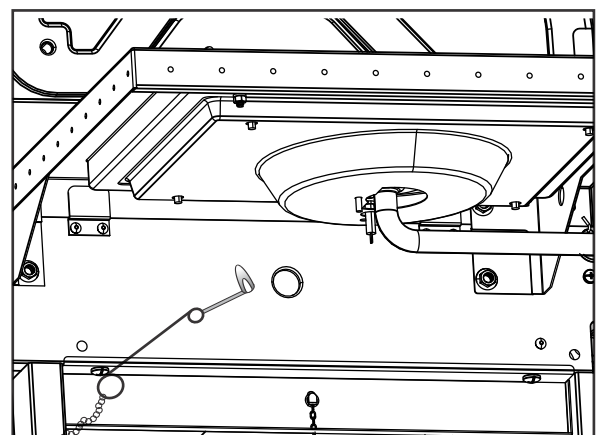
1. Posicione as válvulas de controlo dos queimadores em ○ (off - desligado).
2. Abra a tampa ao acender ou re-acender.
3. LIGUE o gás na botija.
4. Para acender, empurre e gire o botão do BOMBARDEIRO de IGNIÇÃO ⚡ para ALTO 🔼. Imediatamente, pressione e segure o botão ELECTRONIC IGNITOR até que o queimador acenda.
5. Se a ignição NÃO ocorrer em 5 segundos, desligue os controlos do queimador na posição ○, aguarde 5 minutos e repita o processo de ignição.
6. Para ligar os demais queimadores, rode o botão para a posição 🔼 HIGH, começando com os que estão mais perto do QUEIMADOR DE IGNIÇÃO ⚡.



## Acender com fósforos

- Não se incline sobre o grelhador ao acendê-lo.

1. Posicione as válvulas de controlo dos queimadores em ○ (off - desligado).
2. Abra a tampa ao acender ou re-acender.
3. LIGUE o gás na botija.
4. Coloque o fósforo no suporte de fósforos (pendurado no painel lateral do grelhador). Acenda o fósforo, e em seguida acenda o queimador ao introduzir o fósforo através do furo de ignição com fósforo na lateral do grelhador. Pressione e rode imediatamente o botão do queimador para a posição 🔼 HIGH. Assegure-se de que o queimador acendeu e se mantém aceso.
5. Acenda os queimadores adjacentes sequencialmente, ao pressionar os botões e rodá-los para a posição 🔼 HIGH.





**NOTA: O seu grelhador pode NÃO estar equipado com um Fogareiro!**

### Acender o Fogareiro com Dispositivo de Ignição

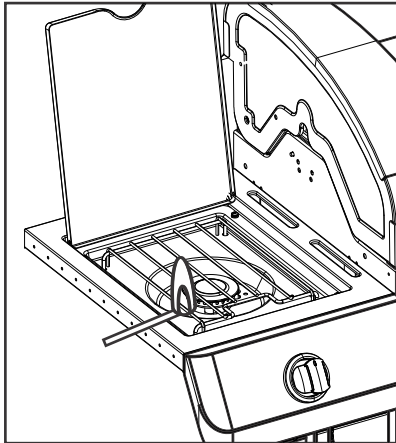
• Não se incline sobre o grelhador ao acendê-lo.

1. Posicione as válvulas de controlo dos queimadores em  $\bigcirc$  (off - desligado).
2. Abra a tampa ao acender ou re-acender.
3. LIGUE o gás na botija
4. Rode o botão do fogareiro para a posição  $\blacktriangledown$  HIGH, pressione e segure o botão de **IGNIÇÃO ELETRÓNICA**.
5. Se o fogareiro NÃO acender em 5 segundos, desligue botão na posição  $\bigcirc$  off – desligado), aguarde 5 minutos e repita o processo de ignição.

### Acender o Fogareiro com Fósforos

• Não se incline sobre o grelhador ao acendê-lo.

1. Posicione as válvulas de controlo dos queimadores de gás em  $\bigcirc$  (off - desligado).
2. Abra a tampa ao acender ou re-acender.
3. LIGUE o gás na botija
4. Coloque o fósforo aceso perto do queimador. Rode imediatamente o botão do fogareiro para a posição  $\blacktriangledown$  HIGH. Assegure-se de que o queimador se acende e mantém aceso.



### Testar Fugas em Válvulas, Mangueira e Redutor


Faça um teste de fugas antes da primeira utilização, pelo menos uma vez por ano, e a cada vez que trocar ou desligar uma botija.

1. Rode todos os botões de controlo do aparelho para  $\bigcirc$ .
2. Assegure-se de que o redutor está firmemente ligado à botija de gás.
3. Ligue o Gás. Se ouvir um som de vento, desligue imediatamente o gás. Existe uma fuga importante na ligação. Corrija antes de prosseguir,
4. Esfregue uma solução de sabão (mistura de uma parte de sabão e uma parte de água) nas ligações da mangueira.
5. Se aparecerem bolhas crescentes, existe uma fuga. Desligue o gás na botija imediatamente e verifique a firmeza das ligações. Se não for possível estancar a fuga, não tente repará-la. Ligue a encomendar peças de substituição.
6. Desligue sempre o gás na botija depois de fazer o teste de fugas.


O churrasco deve ser instalado em uma base de nível seguro antes do uso.

### SE O APARELHO NÃO LIGAR

- Assegure-se que o gás está ligado na botija.
- Make sure there is gas in the cylinder. Assegure-se de que há gás na botija.
- O dispositivo de ignição faz um som de clique?
  - Se sim, verifique a faísca no queimador
  - Se não houver faísca verifique se os fios estão soltos ou danificados.
- Se os fios estiverem bem, verifique se o eletrodo está rachado ou partido, e substitua se necessário.
- Se os fios ou eletrodos estiverem cobertos por resíduos de cozinhados, limpe a ponta do eletrodo com um lenço embebido em álcool se necessário.
- Se necessário, substitua os fios.
- Se não houver som, verifique a bateria.
- Assegure-se de que a bateria está corretamente instalada.
- Verifique se a ligação dos fios está frouxa no módulo e no interruptor.
- Se o dispositivo de ignição continuar a não funcionar, use um fósforo.

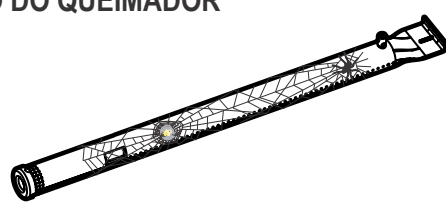


## ATENÇÃO



### ALERTA DE ARANHAS!

**ARANHAS E TEIAS  
DENTRO DO QUEIMADOR**



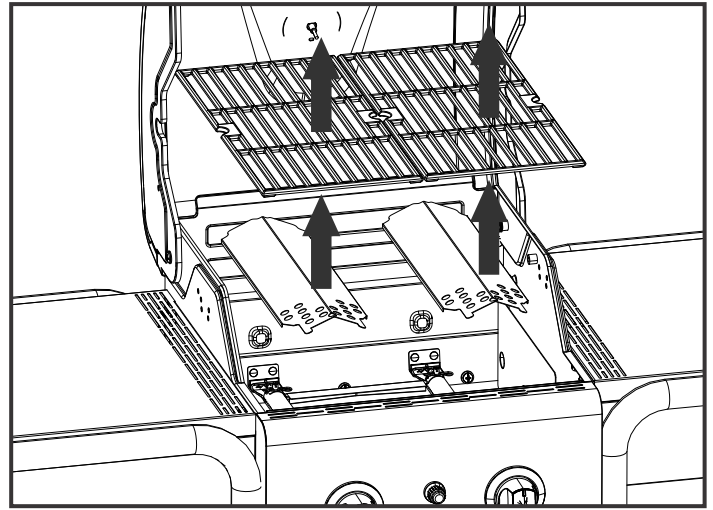
Se o seu grelhador está com dificuldades em acender-se ou se a chama estiver fraca, verifique e limpe os venturis e queimadores.

Aranhas ou pequenos insetos são causas conhecidas de problemas de “flashback”, ao constuir ninhos e por ovos dentro do venturi ou queimador dos grelhadores, obstruindo assim a passagem do gás. O gás preso pode entrar em combustão por detrás do painel de controlo. Este flashback pode danificar o seu grelhador e provocar lesões. Para prevenir flashbacks e assegurar um bom desempenho, a montagem do queimador e tubo de venturi devem ser removidas e limpas sempre que o grelhador tenha estado parado por um grande período de tempo.

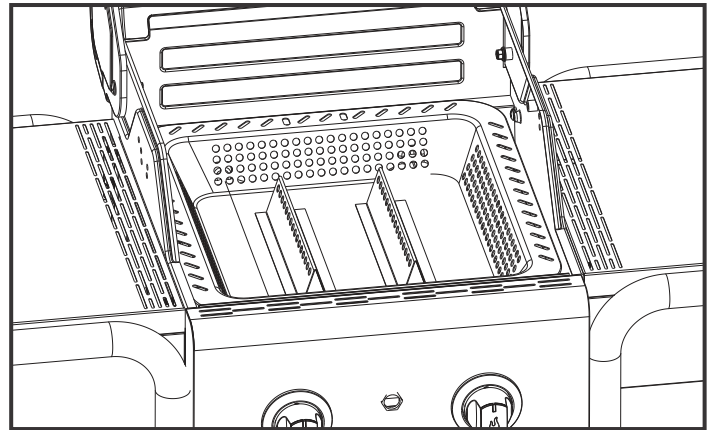
## Instruções para Acender com Carvão

1. Com o grelhador frio, remova as grelhas de cozedura.
2. Coloque o tabuleiro de carvão no grelhador
3. Coloque uma camada única de carvão no tabuleiro, máximo 0.9 kg.
4. Recoloque as grelhas de cozedura.
5. Com a tampa aberta, acenda os queimadores segundo as **Instruções para Acender a Gás.**
6. Deixe os queimadores a gás a funcionar em 🔻 HIGH durante 15 minutos com a tampa fechada.
7. Rode os botões de controlo para ○ (off – desligado).
8. Abra a tampa e aguarde 5 minutos, ou até que o carvão fique branco, antes de adicionar a comida.
9. Não cozinhe antes que o combustível tenha um revestimento de cinzas.

**NOTA:** O churrasco deve ser aquecido eo combustível mantido vermelho quente por pelo menos 30 minutos antes de seu primeiro cozinheiro.



Remova grades de cozinha e barras de calor



Remova as grelhas de cozedura

### AVISO

- Não deixe os queimadores a gás a funcionar por mais de 15 minutos quando usar carvão.
- **AVISO!** Não use aguardente ou gasolina para acender ou reacender! Use apenas acendalhas em conformidade com a norma EN1860-3!
- Nunca use acendalha líquida, querosene, gasolina ou álcool para acender carvão.
- Nunca use pedaços de madeira ou acendalhas no seu grelhador.
- Acenda o carvão APENAS com o tabuleiro de carvão corretamente posicionado na fornalha. Veja a figura.
- Remova o tabuleiro de carvão da fornalha e guarde-o quando usar apenas o grelhador a gás.
- Não ponha o grelhador a funcionar a gás com o tabuleiro de carvão na fornalha sem que este tenha carvão.

### AVISO

**RISCO DE MONÓXIDO DE CARBONO** Queimar carvão em zonas fechadas pode matá-lo. Exala monóxido de carbono, que não tem cheiro. NUNCA queime carvão dentro de casas, veículos ou tendas.

### AVISO

Depois de um fogo de carvão parecer extinto, brasas não consumidas podem reter calor por até 24 horas, e ao ar livre podem incendiar-se inesperadamente. Quaisquer dessas brasas fora da fornalha do grelhador representam um risco de incêndio, e quando expostas a superfícies combustíveis, tais como decks de madeira, podem atear-lhes fogo.

## Recomendações de Limpeza

- É necessário limpar o grelhador depois de cada utilização com carvão.
- Assegure-se de que as brasas estão completamente extintas e que a unidade arrefeceu convenientemente antes de fazer a limpeza.
- Remova o tabuleiro de carvão e limpe todas as cinzas

**Nota:** Após o uso, a bandeja de carvão pode descolorir. Isso é normal durante o uso.

## Limpeza do Conjunto do Queimador

Siga estas instruções para limpar e/ou substituir peças do conjunto do queimador, ou se tiver problemas a ligar o grelhador.

1. **Desligue o gás nos botões de controlo e na botija de gás**
2. Remova as grelhas de cozinhar e os distribuidores de chama.
3. Remova os tubos de transporte e as ferragens que apertam os queimadores.
4. Desprenda o eléctrodo do queimador

**NOTA:** O método para remover/desprender irá depender da configuração do queimador. Veja as diferentes configurações nas ilustrações abaixo.

5. Levante cuidadosamente cada queimador e afaste-o das aberturas das válvulas. Sugerimos-lhe três formas de limpar os tubos dos queimadores. Use a que lhe for mais fácil.

**A.** Dobre um arame duro (um cabide leve funcionará bem) em forma de gancho pequeno. Passe o gancho através de cada tubo de queimador várias vezes.



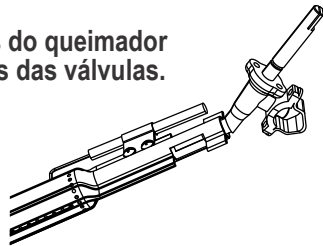
**B.** Use escovilhão de garrafas estreito com uma pega flexível (não use uma escova de latão). Passe o escovilhão através do tubo do queimador várias vezes.

**C. Use proteção ocular:** Use uma mangueira de ar para forçar o ar a entrar no tubo do queimador e a sair pelas entradas do queimador. Verifique cada entrada para assegurar que sai ar de cada furo.

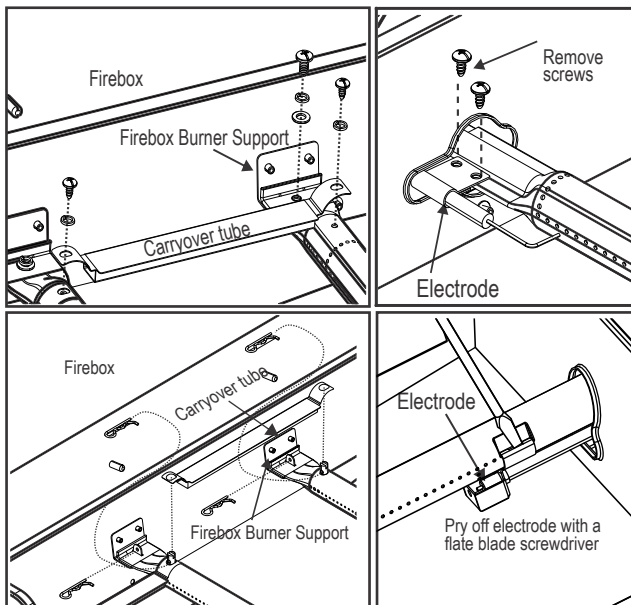
6. Escove toda a superfície exterior do queimador para remover sujidades e resíduos de comida.
7. Limpe todas as entradas bloqueadas com um arame duro, como, por exemplo, um clipe de papel aberto.
8. Verifique se existem danos no queimador devido à sua normal utilização e corrosão. Alguns furos podem ter-se alargado. Se encontrar rachas ou buracos grandes, substitua o queimador.

**MUITO IMPORTANTE:** Os tubos do queimador devem reencaixar nas aberturas das válvulas. Veja a ilustração à direita

### Encaixe corretovalve Válvula-Queimador



9. Ligue o eléctrodo ao queimador.
10. Reponha cuidadosamente os queimadores.
11. Ligue os queimadores aos suportes da cuba.
12. Repositione os tubos de transporte de chama e ligue aos queimadores. Reponha os distribuidores de chama e grelhas.
13. Antes de cozinhar novamente no grelhador, faça o "Teste de Fugas" e a "Verificação de Chama do Queimador".



## Guardar o Seu Aparelho

- Limpe as grelhas de cozinhar.
- Guarde-o num sítio seco.
- Quando a botija de gás estiver ligada ao aparelho, guarde-o no exterior, numa área bem ventilada e fora do alcance das crianças.
- Cubra o aparelho se o guardar no exterior.
- Guarde o aparelho no interior SOMENTE se a botija de gás estiver desligada (nela própria e do aparelho), retirada do aparelho e guardada no exterior.
- Quando retirar o aparelho do sítio onde estava guardado, verifique se há obstruções nos queimadores.

## Limpeza Geral do Aparelho

- Limpe o aparelho com frequência, preferencialmente depois de cada utilização. Se usar um escovilhão de arame para limpar qualquer superfície de cozedura, assegure-se de que não restam cerdas nas superfícies antes de grelhar. Não é recomendado limpar as superfícies de cozedura enquanto o aparelho está quente. O aparelho deve ser limpo pelo menos uma vez por ano.
- Não confunda acumulações de gordura pretas ou castanhas e fumo com pintura. Os interiores de grelhadores a gás não são pintados na fábrica (e jamais devem ser pintados). Aplique uma solução forte de detergente com água, ou use um limpador próprio com uma escova para esfregar nos interiores da tampa e no fundo. Enxague e deixe que sequem completamente ao ar. Não aplique detergentes cáusticos/limpa-fornos nas superfícies pintadas..
- Partes plásticas: Lave com água quente com sabão e seque com um pano.
  - Não use citrisol, detergentes abrasivos, desengordurantes ou limpa-grelhadores concentrados nas partes plásticas. Isto poderá resultar em danos ou falhas nas peças..
- Superfícies de porcelana: Devido à sua composição vítrea, a maioria dos resíduos podem ser limpos com uma solução aquosa de bicarbonato de sódio ou um detergente especialmente formulado para isto. Use pó de limpeza não abrasivo para manchas mais difíceis.
- Superfícies pintadas: Lave com detergente suave ou limpador não abrasivo e água quente com sabão. Seque com um pano não abrasivo.
- Superfícies de aço inoxidável: Para manter a aparência de alta qualidade do seu aparelho, no final de cada utilização lave com detergente suave e água quente com sabão, secando depois com um pano macio.
- Superfícies de cozedura: Se utilizar um escovilhão de arame para limpar quaisquer das superfícies de cozedura, assegure-se que não ficam cerdas depositadas nelas antes de grelhar. Não é recomendado limpar as superfícies de cozedura enquanto o aparelho estiver quente.

**DADOS TÉCNICOS**  
CHAR-BROIL, GmbH

Nome do Aparelho	Churrasqueira a Gás/Grelhador a Gás			
Caudal Térmico Nominal Total	8,2 kW (597 g/h)			
Categoria do Gás	I3+(28-30/37)	I3B/P(30)	I3B/P(50)	
Modelo Nr..	468301221			468302221
Tipo de Gás	Butano	Propano	Butano, Propano ou mistura deles	Butano, Propano ou mistura deles
Pressão do Gás	28-30 mbar	37 mbar	28-30 mbar	50 mbar
Tamanho do Injetor (Ø. mm)	Grelhador: 1,04 x 2 pcs		Grelhador: 1,04 x 2 pcs	Grelhador: 0,92 x 2 pcs
Países de Destino	GB, FR, BE, ES, IT, PT, CZ, SK, CH, CY, GR, IE, LT, LU, LV, SI	DK, NO, NL, SE, FI, IS, CZ, IT, SK, BG, CY, EE, HR, HU, LT, LU, LV, MT, RO, SI, TR	AT, DE, CH, LU, SK	
Fornecimento elétrico	1.5VDC Bateria			

**ATENÇÃO!**

A maioria das superfícies deste aparelho está quente durante a utilização. Tenha o máximo de cuidado. Mantenha as outras pessoas afastadas do aparelho. Utilize sempre vestuário de proteção para evitar ferimentos.

Não mova este aparelho durante o funcionamento.

Nunca substitua o acendedor de carvão por gasolina, querosene ou álcool. Neste caso, o acendedor de carvão pode ser substituído por acendalhas à base de parafina. Nunca utilize líquido acendedor de carvão com um acendedor elétrico.

O não seguimento de todas as instruções do fabricante poderia resultar em danos pessoais graves e/ou danos materiais.

Todas as superfícies podem estar quentes durante a utilização. Utilize proteção conforme necessário para evitar queimaduras. Não utilize este aparelho sobre ou perto de superfícies ou estruturas combustíveis, tais como balcões de madeira, folhas secas ou erva, revestimentos de vinil ou madeira, etc.

Depois de um fogo de carvão parecer estar extinto, as brasas não consumidas podem reter calor durante até 24 horas e, se forem expostas a ar fresco, podem inflamar-se inesperadamente. Essas brasas fora da caixa de fogo do grelhador apresentam um risco de incêndio e podem incendiar superfícies combustíveis, tais como balcões de madeira.

**PERIGO DE MONÓXIDO DE CARBONO**

A queima de carvão em espaços interiores pode matá-lo. Produz monóxido de carbono, que é inodoro.

NUNCA queime carvão dentro de casas, veículos ou tendas.

Não cozinhe antes de o combustível ter uma cinza de revestimento.

**ATENÇÃO!** - este churrasco ficará muito quente, NÃO o mova durante a operação.

Não use dentro de casa.

**ATENÇÃO!** NÃO use álcool ou gasolina para iluminação ou re-iluminação! Utilize apenas lâmpadas de incêndio de acordo com EN 1860-3!

**ATENÇÃO!** Mantenha as crianças e animais de estimação longe.

## INSTALLATØR/MONTØR:

Efterlad denne vejledning hos kunden.

## KUNDE:

Opbevar denne vejledning til senere brug.

## Spørgsmål:

! Hvis du har spørgsmål under monteringen eller om brugen af dette apparat, skal du kontakte din lokale forhandler. contact your local dealer.




# FARE



Hvis du kan lugte gas:

1. Sluk for gassen til apparatet.
2. Sluk eventuelle flammer.
3. Åbn låget.
4. Hvis lugten fortsætter, skal du holde dig væk fra apparatet og øjeblikkeligt ringe til din gasleverandør eller brandvæsenet.



# ADVARSEL



1. Undgå at opbevare eller anvende benzin eller andre brændbare væsker i nærheden af dette eller noget andet apparat.
2. En gasflaske, der ikke er tilsluttet til brug, må ikke opbevares i nærheden af dette eller noget andet apparat.




# FORSIGTIG




- Læs og følg alle sikkerhedsanvisninger, monteringsvejledninger og retningslinjerne for brug og pleje, inden du forsøger at montere og tilberede mad.
- Nogle dele kan indeholde skarpe kanter. Det anbefales at iføre sig beskyttelseshandsker

**Fedtbrande**

- Det er ikke muligt at slukke fedtbrande ved at lukke låget. En grill er velventileret for sikkerhedsmæssige årsager.
- Hæld ikke vand på en fedtbrand, det kan medføre Hvis en vedvarende fedtbrand udvikles, skal du slå drejeknapper og gasflaske fra.
- Hvis apparatet ikke regelmæssigt rengøres, kan der opstå en fedtbrand, der kan beskadige produktet. Vær meget opmærksom under forvarmning eller afbrænding af madrester for at sikre, at en fedtbrand ikke Følg anvisningerne om generel rengøring af apparatet og rengøring af brænderanordningen for at forhindre fedtbrande. Den bedste måde at forhindre fedtbrande er regelmæssig rengøring af apparatet.
- Efterlad ikke grillen uden opsyn under forvarmning eller afbrænding af madrester på HI. Hvis apparatet ikke regelmæssigt rengøres, kan der opstå en fedtbrand, der kan beskadige produktet.



# ADVARSEL

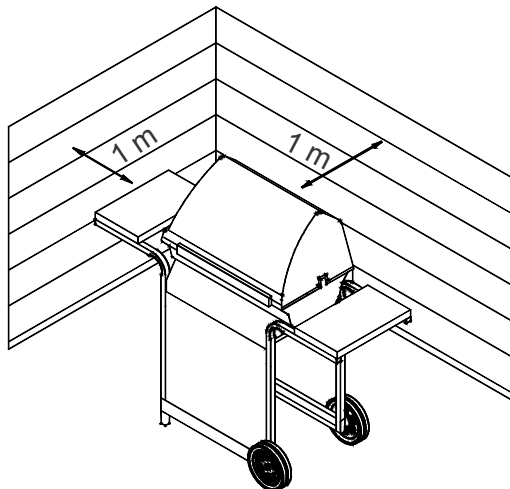


**For sikker brug af apparatet og for at undgå**

- **KUN TIL UDENDØRS BRUG. MÅ ALDRIG BRUGES INDENDØRS.**

**Læs anvisningerne før du bruger apparatet. Følg altid anvisningerne.**

- Flyt ikke apparatet under brug.
- Tilgængelige dele kan være meget varme. Hold små børn væk. Lad ikke børn betjene eller lege i nærheden af apparatet.
- Sluk for gasforsyningen på flasken efter brug.
- Dette apparat skal holdes væk fra brændbare materialer under brug.
- Bloker ikke hullerne i siderne eller på bagsiden af apparatet.
- Tjek brænderflammer regelmæssigt.
- Bloker ikke venturirør på brænderen.
- Brug kun apparatet i velventilerede rum. Må **ALDRIG** bruges i lukkede rum såsom carport, garage, veranda, overdækket terrasse, eller anden overdækkede struktur
- **Tildæk IKKE** riste med aluminiumsfolie eller andet materiale. Dette vil blokere brænderventilation og udgøre en potentielt farlig tilstand, der kan resultere i materielskade og/eller personskaade.
- **Brug apparatet min. 1 m fra enhver væg eller overflade.**
- Oprethold en sikkerhedsafstand på 3 m til objekter, der kan antændes eller antændelseskilder såsom kontrollamper på vandvarmere,



The diagram illustrates a top-down view of the grill in a corner. Two arrows point from the grill's front edge to the adjacent walls, both labeled '1 m', indicating the required clearance distance.

- Forsøg **ALDRIG** at tænde brænder med låget lukket. En ophobning af ikke-antændt gas i en lukket apparat er farlig.
- Sluk altid for gassen på flasken og framontér regulatoren, før gasflasken flyttes fra den angivne betjeningsposition.
- Betjen aldrig apparatet, hvis gasflasken ikke er på den korrekte angivne position.
- Apparatet må ikke modificeres. Enhver ændring er strengt forbudt. Forseglede dele må ikke manipuleres af brugeren. Du må ikke adskille injektorer

## Råd om sikkerhed

- Før du åbner gasflaskeventilen, skal du tjekke, at regulatoren er tætsluttende.
- Når apparatet ikke er i brug, skal alle knapper og gassen slås fra.
- Brug langskaftede grillredskaber og grydelapper for at undgå forbrændinger og stænk. Brug beskyttelseshandsker ved håndtering af varme dele.
- Maksimal belastning for varmeplade og sidehylde er 4,5 kg.
- Gryde dia. på minimum 200 mm and maksimum 260 mm.
- Fedtskålen (hvis sådan findes) skal indsættes i apparatet og tømmes efter hvert brug. Fjern kke fedtskålen, før apparatet er helt afkølet.
- Vær forsigtig når du åbner låget, da der kan opstå varm damp.
- Vær forsigtig, når børn, ældre, eller kæledyr er i nærheden.
- Hvis du bemærker fedt eller andet varmt materiale, der drypper fra apparatet på ventil, slange eller regulator, skal du slukke for gasforsyningen med det samme. Find årsagen, ret den, derefter rengør og inspicer ventil, slange og regulator, før du fortsætter.
- Udfør en lækagetest.
- Opbevar ikke genstande eller materialer inden i apparatets kabinet, der kan blokere for strømmen af forbrændingsluft på undersiden af enten kontrolpanelet eller brændkammerets skål.
- Framontér IKKE eller skift gasbeholder indenfor en afstand på 3 m fra åben ild eller andre antændelseskilder.

### Placering af flaske

Flasker, der vejer 6 kg eller mindre, kan placeres på jorden under sidehylden eller inde i apparatet på det angivne sted. Større flasker skal kun placeres under sidehylden eller bag grillen. Flasker, der placeres i apparatet, skal have en maksimal diameter på 345 mm og maksimal højde på 430 mm. Flasker, der placeres på jorden, må ikke placeres under varmepladen.

### Krav for regulator

En regulator skal anvendes med dette apparat. Brug kun gasregulator der medfølger grillen. Hvis en regulator ikke medfølger, skal du kun bruge en regulator, der er certificeret i henhold til EN16129 (strømningshastighed maks. 1,5 kg/t) og godkendt til dit land og gas, der angives i tekniske data.

### Krav for slange

Brug kun godkendte slanger, der er certificeret til passende DA standard og ikke overstiger en længde på 1,5 m. Slangens længde må ikke overstige 1,2 m i Finland.

Før hver anvendelse skal du tjekke, om slangerne er beskadigede eller slidte. Sørg for, at der ikke er knæk på slangen. Sørg for at slangen ikke rører nogen varme overflader under tilslutning. Udskift beskadigede slanger, før du bruger apparatet. Udskift slangen i henhold til nationale krav.

Grillen skal installeres på et sikkert niveau, inden brug.

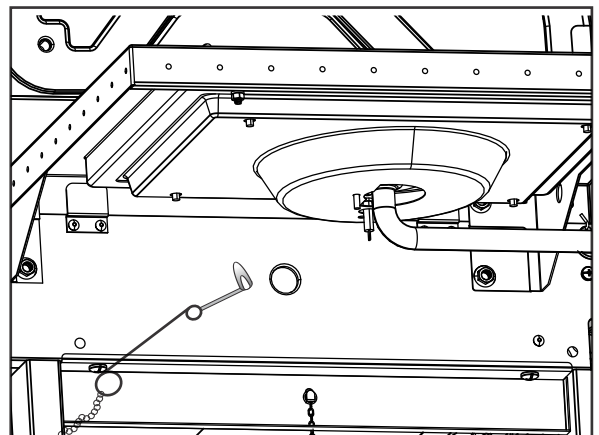
## Instruktioner Gas tænding - Antænding

- **Læn ikke over grillen under antænding.**
- 1. Slå gasbrænderens kontrolventiler O (fra).
- 2. Åbn låg under antænding eller genantænding.
- 3. Slå gassen TIL på LP-flaskan.
- 4. For at antænde, skubbe og dreje TÆNDING BRÆNDER ⚡ knappen til HØJ 🔻. Straks, skubbe og ELEKTRONISK tænder knappen nede, indtil brænderen lys.
- 5. Hvis antænding IKKE sker inden 5 sekunder, skal du slå brænderknapperne fra O, vente 5 minutter og gentage antændelsesproceduren.
- 6. For at antænde resterende brændere, skal du først dreje knappen til positionen 🔻 HIGH med de brændere, der er tættest på IGNITION BURNER ⚡.



### Tændstiksantænding

- **Læn ikke over grillen under antænding.**
- 1. Slå gasbrænderens kontrolventiler O (fra).
- 2. Åbn låg under antænding eller genantænding.
- 3. Slå gassen TIL på LP-flaskan.
- 4. Placér tændstik i tændstiksholderen (hængende fra grillens sidepanel). Stryg tændstikken, derefter antænd brænderen ved at placere tændstikken gennem antændingshullet på siden af grillen. Omgående skub og drej brænderhåndtaget til positionen 🔻 HIGH. Vær sikker på, at brænderen antændes og forbliver antændt.
- 5. Antænd tilstødende brændere fortløbende ved at trykke knapperne ind og dreje dem til positionen 🔻 HIGH.



**BEMÆRK:** Din grill er muligvis ikke udstyret med en varmeplade!

### Antænding med varmeplade

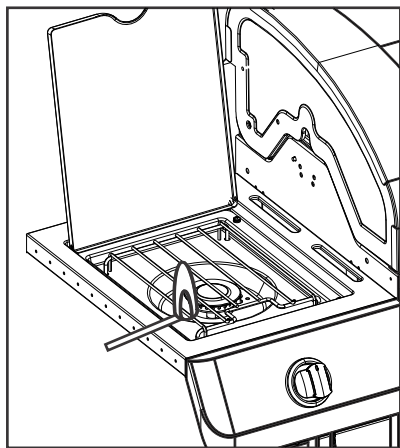
• Læn ikke over grillen under antænding.

1. Slå gasbrænderens kontrolventiler til (fra).
2. Åbn låg under antænding eller genantænding.
3. Slå gassen TIL på LP-flaskan.
4. Drej varmepladens håndtag til positionen O  $\blacktriangledown$  HIGH, skub og hold **ELECTRONIC IGNITOR**-knappen nede.
5. Hvis antænding af varmepladen IKKE sker inden 5 sekunder, skal du slå knappen til O (fra), vente 5 minutter og gentage antændelsesproceduren.

### Tændstiksantænding med varmeplade

• Læn ikke over grillen under antænding.

1. Slå gasbrænderens kontrolventiler O (fra).
2. Åbn låg under antænding eller genantænding.
3. Slå gassen TIL på LP-flaskan.
4. Placer den tændte tændstik nær brænderen. Drej omgående varmepladens håndtag til positionen 4 HIGH. Vær sikker på, at brænderen antændes og forbliver antændt.



### Lækagetestning af ventiler, slange og regulator

Lækagetest skal ske før første ibrugtagning mindst en gang om året, og hver gang gasflasken udskiftes eller framonteres.

1. Drej alle apparatets knapper til O .
2. Vær sikker på, at regulatoren tilsluttes tæt på gasflasken.
3. Tænd for gassen. Hvis du hører en susende lyd, skal du slukke for gassen. Der findes en større lækage ved forbindelsen. Skaden skal udbedres, før du fortsætter.
4. Børst en sæbeopløsning (blanding af halvt sæbe og halvt vand)
5. Hvis der opstår bobler, findes der en lækage. på flasken og tjek efter om, forbindelserne er tætsluttende. Lækagen ikke kan stoppes, skal du ikke prøve at reparere. Ring efter reservedele.
6. Sluk altid for gassen på flasken efter udførelse af lækagetest

### HVIS APPARATET IKKE KAN ANTÆNDES

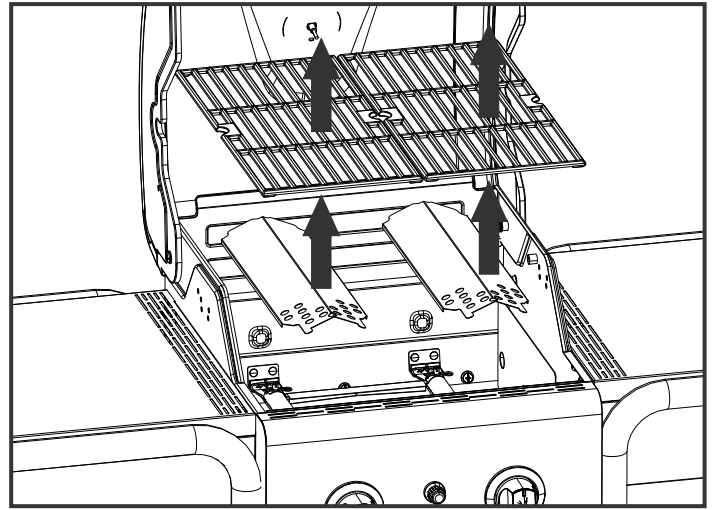
- Vær sikker på, at der er tændt for gassen på flasken.
- Vær sikker på, at der er gas i flasken.
- Kommer der lyde af gnister fra tændersystemet?
  - Hvis ja, se om der er gnister ved brænderen.
  - Hvis der ikke er gnister, skal du tjekke efter, om der er beskadigede eller løse ledninger.
- Hvis ledningerne er OK, skal du tjekke efter for revnede eller ødelagte elektroder, udskift hvis der er behov for det.
- Hvis en ledning eller elektroder er fyldt med madrester, skal du, hvis der er behov for det, rengøre elektrodespidsen med en klud dyppet i sprit.
- Udskift ledninger efter behov.
- Hvis der ikke er nogen lyd, skal du tjekke batteriet.
- Sørg for at batteriet er installeret korrekt.
- Tjek efter for løse ledningsforbindelser på modul og omskifter.
- Hvis tændersystemet stadig ikke virker, skal du bruge tændstiksantænding.

	<b>FORSIGTIG</b>	
<b>EDDERKOPPEVARSEL!</b>		
<b>EDDERKOPPER OG SPINDELVÆV INDE I BRÆNDER</b>		
<p>Hvis din grill er svær at antænde, eller flammen er svag, skal du kontrollere og rengøre venturierne og brændere.</p>		
<p>Edderkopper eller små insekter er kendte for at skabe "flashback" problemer ved at opbygge reder og lægge æg i grillens venturi eller brænder, hvilket blokerer gasstrømmen. Den tilbageholdte gas kan antændes bag kontrolpanelet. Denne flashback kan skade din grill og medføre ulykker. For at forebygge flashbacks og sikre god funktion, bør brænderen og venturirørsamlingen tages af og renses, når grillen ikke er blevet brugt i længere tid</p>		

## Anvisninger for antænding med trækul

1. Fjern grillriste, når grillen er kold.
2. Læg trækul i grillen.
3. Læg et enkelt lag af trækul i bakken, maksimalt 0.9 kg.
4. Læg grillriste tilbage.
5. Åbn låget og antænd brændere vha. **Anvisninger for antænding med gas.**
6. Gasbrændere skal være på 🔥 HIGH i 15 minutter med låget lukket.
7. Drej knapperne til O (fra).
8. Åbn låget og vent 5 minutter, eller indtil kullene bliver hvide, før du tilbereder mad.
9. Du må ikke koge før brændstof har en belægning af aske.

**BEMÆRK:** Grillen skal opvarmes og brændstoffet holdes rødglødende i mindst 30 minutter før din første kok.



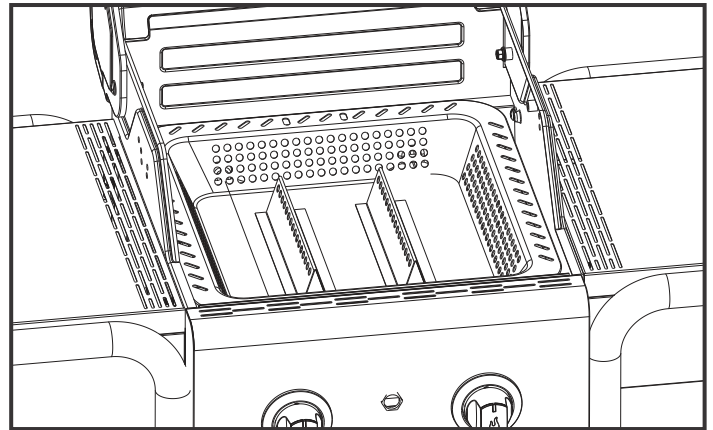
Fjern grillriste og Heat Telte



**ADVARSEL**



- Brug ikke gasbrændere i mere end 15 minutter, når du bruger trækul.
- **ADVARSEL!** Brug ikke sprit eller benzin til optænding eller genoptænding! Brug kun optændingsblokke der opfylder at EN1860-3!
- Brug aldrig tændvæske, petroleum, benzin eller alkohol til at antænde trækul.
- Brug aldrig træstykker eller instant light-produkter i din grill.
- Antænd **KUN** trækul med trækulsbakken korrekt indsat i brændkammeret. Se figur.
- Trækulsbakken skal fjernes fra brændkammeret og gemmes væk, når du anvender grillen som gasgrill.
- Anvend ikke gasbrænder med trækulsbakken placeret i brændkammeret uden trækul.



Korrekt placering af trækulsbakke



**ADVARSEL**



**KULILTEFARE** Afbrænding af trækul inden døre kan slå dig ihjel. Det afgiver kulilte, som man ikke kan lugte. Afbrænd **ALDRIG** trækul i boliger, køretøjer eller telte.



**ADVARSEL**



Selv om en trækulsafbrænding synes slukket, kan gløder indeholde varme i op til 24 timer og kan uventet bryde i flammer, hvis de bliver udsat for frisk luft. Gløder uden for grillens brændkammer udgør en brandfare og kan antænde brændbare overflader som f.eks. træterrasser.

## Rengøringsanvisninger

- Det er nødvendigt at rengøre grillen, hver gang trækul anvendes.
- Sørg for at kullene er fuldstændigt slukkede, og at grillen er tilstrækkeligt afkølet, før du rengører den.
- Tag trækulsbakken ud og fjern alle askerester

**Bemærk:** Der kan forekomme misfarvning af trækulsbakken efter brug. Dette er normalt under brug.



## Sådan rengøres brænderanordningen

Følg disse anvisninger for rengøring og/eller udskiftning af dele af brændersamlingen, eller hvis du har problemer med at antænde grillen

1. **Sluk for gassen på knapperne og LP-flasken.**
2. Fjern tilberedningsriste og varmetelte.
3. Fjern overføringsrør og komponenter, der holder brænderne fast.
4. Afmonter elektrode fra brænderen.

**BEMÆRK:** Fjernelses-/adskillelsesmetode afhænger af brænderkonfigurationen. Se forskellige konfigurationer i nedenstående illustrationer.

5. Løft forsigtigt hver brænder op og væk fra ventilåbninger. Vi anbefaler tre måder at rengøre brænderrørerne. Brug den metode, du finder lettest at anvende.

- A. Bøj en stiv wire (en let bøjle fungerer godt) Kør krogn igennem hvert brænderrør flere gange.



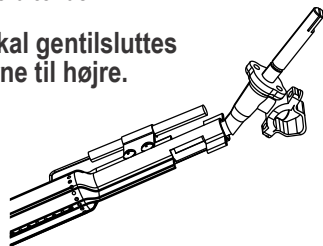
- B. Brug en smal flaskebørste med et fleksibelt håndtag (brug ikke en stålbørste). brug ikke en messing stålbørste). Kør børsten igennem hvert brænderrør flere gange

- C. **Anvend øjenbeskyttelse:** Brug en luftslange til at tvinge luft ind i brænderrøret og ud af brænderudgangene. Tjek hver udgang for at sikre, at der kommer luft ud af hvert hul.

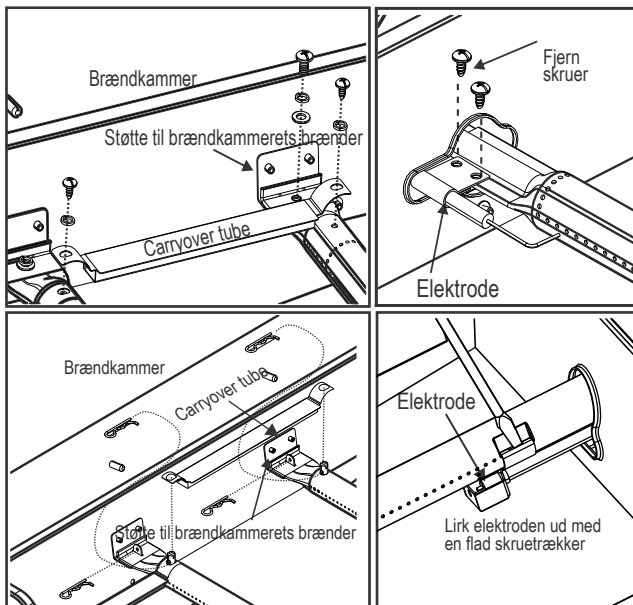
6. Brug en stålbørste på hele yderside af brænderen for at fjerne madrester og snavs.
7. Rengør alle blokerede udgange med en stiv wire såsom en udfoldet papirclips.
8. Tjek brænderen efter for skader som følge af almindelig slitage og nedbrydning, nogle huller kan blive udvidede. Hvis der findes store revner eller huller, skal du udskifte brænder.

**MEGET VIGTIGT: Brænderrør skal gentilsluttes ventilåbninger. Se illustrationerne til højre.**

### Korriger brænderens tilslutning til ventil



9. Fastgør elektrode til brænder. ^
10. Udskift forsigtigt brændere.
11. Monter brændere på brændkammerets beslag.
12. Flyt overføringsrørene og tilslut dem til brændere. Udskift varmetelte og grillriste.
13. Før du griller igen, skal du udføre en "lækagetest" og "Kontrol af brænderflamme"



## Opbevaring af dit apparat

- Rengør grillriste.
- Opbevares på et tørt sted.
- Når gasflasken tilsluttes apparatet, skal det opbevares udendørs i et velventileret område og uden for børns rækkevidde.
- Tildæk apparatet, hvis det opbevares udendørs.
- Opbevar KUN apparatet indendørs, hvis der er slukket for gasflasken, og den er framonteret og fjernet fra apparatet og opbevares udendørs.
- Når du henter apparatet fra opbevaringen, skal du tjekke efter for brænderblokeringer.

## Generel rengøring af apparatet

- Rengør apparatet ofte, helst efter hvert brug. Hvis en børste bruges til at rengøre apparatets tilberedningsoverflader, skal du sørge for, at der ikke ligger børstehår på tilberedningsoverflader, før du starter med at grille. Det anbefales ikke at rengøre en tilberedningsoverflade, mens apparatet er varmt. Apparatet skal rengøres mindst en gang om året.
- Forveksl ikke brune eller sorte ophobninger af fedt og røg. Gasgrillens interieur males ikke på fabrikken (og bør aldrig være malet). Anvend en stærk opløsning af rengøringsmiddel og vand eller brug et rengøringsmiddel til apparater med skurebørste på indersiden af apparatets låg og bund.
- Skyl og lad det lufttørre helt. Anvend ikke kaustisk apparat-/ovnrens på malede overflader.
- Plastdele: Vask med varmt sæbevand og tør efter.
- Brug ikke citrasolv, slibende rengøringsmidler, affedningsmidler eller koncentreret rengøringsmiddel til apparater på plastdele. Det kan resultere i beskadigelse og svigt af de dele.
- Porcelænoverflader: På grund af den glaslignende sammensætning, kan de fleste rester tørres væk med bagepulver/vandopløsning eller specielt fremstillede rengøringsmidler. Brug ikke-slibende skurepulver til svære pletter.
- Malede overflader: Vask med milde rengøringsmidler eller ikke-slibende rengøringsmidler og varmt sæbevand. Tør efter med en blødt ikke-slibende klud.
- Overflader i rustfrit stål: For at opretholde apparatets eksklusive udseende, skal du vaske med milde rengøringsmidler og varmt sæbevand og tørre efter med en blød klud efter hvert brug. For indbrændte fedtaflejringer kan det være nødvendigt at anvende en slibende. Må kun bruges i retning af den børstede finish for at undgå skader. Brug ikke-slibeblokke på områder med grafik.
- Tilberedningsoverflader: Hvis en børste bruges til at rengøre apparatets tilberedningsoverflader, skal du sørge for, at der ikke ligger børstehår på tilberedningsoverflader, før du starter med at grille. Det anbefales ikke at rengøre tilberedningsoverflader, mens apparatet er varmt.

TEKNISKE DATA  
CHAR-BROIL, GmbH

Apparatnavn	Gas Grill			
Samlet nominel varmetilførsel	8,2 kW (597 g/t)			
Gas, kategori	I3+(28-30/37)	I3B/P(30)	I3B/P(50)	
Model nr.	468301221			468302221
Gastype	Butan	Propan	Butan, propan eller blandinger deraf	Butan, propan eller blandinger deraf
Gastryk	28-30 mbar	37 mbar	28-30 mbar	50 mbar
Injektorstørrelse (dia. mm)	Grill: 1,04 x 2 stk.		Grill: 1,04 x 2 stk.	Grill: 0,92 x 2 stk.
Bestemmelsessted, lande	GB, FR, BE, ES, IT, PT, CZ, SK, CH, CY, GR, IE, LT, LU, LV, SI	DK, NO, NL, SE, FI, IS, CZ, IT, SK, BG, CY, EE, HR, HU, LT, LU, LV, MT, RO, SI, TR	AT, DE, CH, LU, SK	
Strømforsyning	1.5VDC Batteri			

### ADVARSEL!

De fleste overflader på dette apparat er varme under brug. Udvis stor forsigtighed. Hold andre væk fra apparatet. Ifør dig altid beskyttende beklædning for at undgå personskade.

Flyt ikke apparatet under drift.

Erstat aldrig tændvæske med benzin, petroleum eller alkohol. I sådant tilfælde kan paraffin-baserede kulbriketter erstatte tændvæsken. Brug aldrig tændvæske sammen med en elektrisk grillstarter.

Undladelse af at følge alle producentens anvisninger kan resultere i alvorlig personskade og/eller skade på ejendom.

Alle overflader kan være varme under brug. Brug beskyttelse som påkrævet for at forhindre forbrænding.

Brug ikke dette apparat på eller nær brændbare overflader eller strukturer som f.eks. træterrasser, tørre blade eller tørt græs, vinyl eller træsider osv.

Selv om en trækulsafbrænding synes slukket, kan gløder indeholde varme i op til 24 timer og kan uventet bryde i flammer, hvis de bliver udsat for frisk luft. Gløder uden for grillens brændkammer udgør en brandfare og kan antænde brændbare overflader som f.eks. træterrasser.

### KULILTEFARE

Afbrænding af trækul inden døre kan slå dig ihjel. Det afgiver kulilte, som man ikke kan lugte. Afbrænd ALDRIG trækul i boliger, køretøjer eller telte.

Må ikke tilberedes, før brændstoffet har en belægningsaske.

**ADVARSEL!** - Denne grill bliver meget varm, bevæg den IKKE under drift.

**Brug ikke indendørs.**

**ADVARSEL!** Brug IKKE ånd eller benzin til belysning eller genbelysning! Brug kun firelightere, der overholder EN 1860-3!

**ADVARSEL!** Hold børn og kæledyr væk.

## INSTALLATØR/MONTØR:

Legg igjen denne bruksanvisningen hos brukeren.

## BRUKER:

Behold denne bruksanvisningen for fremtidig referanse.

## Spørsmål:

Ta kontakt med forhandleren hvis du har spørsmål mens du setter sammen eller bruker apparatet.



## FARLIG



Dersom du lukter gass:

1. Steng av strømmen til apparatet.
2. Slukk flammene.
3. Åpne dekselet.
4. Dersom det fortsatt lukter gass, må du holde deg på avstand fra apparatet og ringe strømleverandøren din eller brannvesenet.



## ADVARSEL



1. Ikke oppbevar bensin eller andre brennbare væsker i nærheten av dette eller andre apparater.
2. En gassflaske som ikke er tilkoblet må ikke lagres i nærheten av dette eller andre apparater.



## FORSIKTIG



- Les og følg sikkerhetsklæringene, monteringsinstruksjonene og bruk- og vedlikeholdsanvisningene før du monterer apparatet eller begynner å lage mat.
- Noen deler kan ha skarpe kanter. Vi anbefaler å bruke vernehansker.

### Fettbrann

- Det er ikke mulig å slukke fettbranner ved å lukke lokket. Grillen er godt ventilert av sikkerhetsmessige årsaker.
- Du må ikke helle vann på fettbrann, da dette kan føre til personskader. Dersom en fettbrann utarter seg, må du stenge av knappene og skru av gassflasken.
- Hvis apparatet ikke rengjøres regelmessig, kan det oppstå fettbrann som potensielt kan skade produktet. Vær oppmerksom når du forvarmer eller brenner vekk matrester, for å forsikre deg om at det ikke oppstår fettbrann. Følg instruksjonene for generell rengjøring og rengjøring av brenneren for å unngå fettbrann. Den beste måten å unngå fettbrann på, er ved å regelmessig rengjøre apparatet.
- Du må ikke la grillen stå ubevoktet under forvarming eller mens du brenner vekk matrester med HI-innstillingen. Dersom grillen ikke har blitt regelmessig rengjort, kan det oppstå en fettbrann som kan ødelegge produktet.

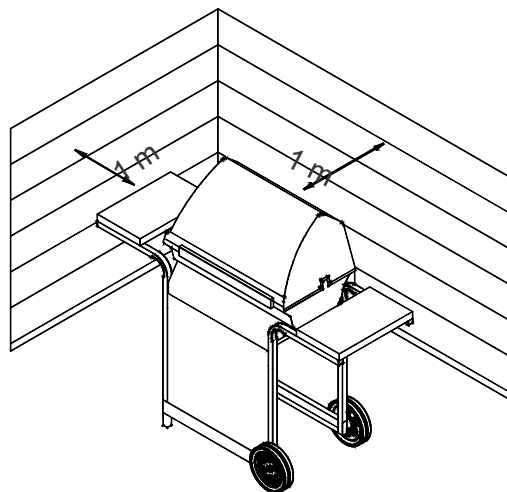


## ADVARSEL



For sikker bruk av apparatet og for å unngå seriøse skader:

- **KUN FOR UTENDØRS BRUK. MÅ ALDRI BRUKES INNENDØRS.** Les instruksjonsheftet før du bruker apparatet. Disse instruksjonene skal alltid følges.
- Du må ikke flytte apparatet mens det er i bruk.
- De tilgjengelige delene kan bli veldig varme. Hold yngre barn på avstand. Ikke la barn bruke eller leke i nærheten av apparatet.
- Slå av gassflasken etter bruk.
- Dette apparatet må holdes unna brennbare materialer når det er i bruk.
- Hullene på siden eller bak på apparatet må ikke dekkes til.
- Sjekk flammene regelmessig.
- Venturiåpningene på brenneren må ikke dekkes til.
- Grillen må kun brukes i et godt ventilert område. Må ALDRI brukes i avgrensede områder som garasjer, vestibyler, lukkede gårder eller under noen form for tildekket konstruksjon.
- **IKKE DEKK TIL** ristene med aluminiumsfolie eller andre materialer. Dette fører til blokkering av ventilasjonen, og kan skape farlige situasjoner som kan føre til skade på eiendom og/eller personskade.
- **Bruk apparatet minst én meter unna vegger eller andre overflater.**
- Oppretthold minst tre meter til andre objekter som kan ta fyr, eller antenningskilder som tennflammer på varmtvannsberedere, påslått elektrisk utstyr osv.



- Forsøk ALDRI å slå på brenneren mens lokket er på. En oppsamling av ikke-påtent gass inne i apparatet er farlig.
- Du må alltid huske å skru av gassflasken og koble fra regulatoren før du flytter gassflasken fra den spesifiserte bruksposisjonen.
- Apparatet må aldri brukes mens gassflasken er i feil stilling.
- Du må ikke endre på apparatet. Alle former for endringer er strengt forbudt. Forseglede deler må ikke manipuleres av brukeren. Du må ikke demontere injektoren.

## Sikkerhetstips

- Sjekk at regulatoren er tett før du åpner gassflaske-ventilen.
- Når apparatet ikke er i bruk, må alle kontrollknapper og gass slås helt av.
- Bruk grillutstyr med lange håndtak og grytekluter, slik at du unngår sprut og brannskår. Bruk vernehansker når du behandler varme deler.
- Maksimal vekt for kokeplaten og sidehyllen er 4,5 kg. Kokekar på minimum 200 mm i diameter, og maksimum 260 mm i diameter.
- Smørekoppen (hvis utstyrt) må bli satt inn i apparatet og tømt etter hvert bruk. Du må ikke fjerne smørekoppen før apparatet har blitt helt nedkjølt.
- Vær svært forsiktig når du åpner lokket, da varm damp kan sige ut.
- Vær svært forsiktig når det er barn, eldre eller dyr i nærheten.
- Hvis du ser at fett eller andre varme væsker fra apparatet drypper på ventilen, slangen eller regulatoren, må du slå av gassen umiddelbart. Finn ut hvorfor det drypper, fiks det og rengjør og inspiser ventilen, slangen og regulatoren før du fortsetter. Utfør en lekkasjetest.
- Du må ikke lagre objekter eller andre ting inni grillen som kan blokkere strømmen av forbrenningsluft til undersiden av enten kontrollpanelet eller askeskuffen i brennkammeret.
- Du må IKKE koble fra eller bytte gassflaske nærmere enn tre meter unna den åpne flammen eller andre tenningskilder.

## Plassering av gassflasken

Gassflasker som veier 6 kg eller mindre kan plasseres på bakken under sidehyllen, eller på innsiden av apparatet hvis det er satt av plass til dette. Større gassflasker må kun plasseres under sidehyllen eller bak grillen. Gassflasker som plasseres inne i apparatet må ha en diameter på maksimum 345 mm og høyde på maksimum 430 mm. Gassflasker som plasseres på bakken må ikke plasseres under kokeplaten.

## Krav for regulatorer

En regulator må brukes sammen med dette apparatet. Bruk kun gassregulatorer som kom med grillen. Dersom det ikke følger med en regulator, kan du bruke en regulator som er sertifisert i henhold til EN16129 (Maks strømningshastighet på 1,5 kg per time) og godkjent for landet ditt, sammen med gassen som er spesifisert i de tekniske dataene.

## Krav til slangen

Bruk kun godkjente slanger som er sertifiserte etter passende EN-standarder og ikke er lengre enn 1,5 meter. For Finland må ikke lengden overgå 1,2 meter. Før hvert bruk må du sjekke slangen for brudd eller slitasje. Pass på at slangen ikke er bøyd. Pass på at slangen ikke berører varme overflater mens den er koblet til. Skift ut ødelagte slanger før du tar i bruk apparatet. Skift ut slanger etter hva nasjonale krav tilsier.

Grillen må installeres på et sikkert nivå under bruk.

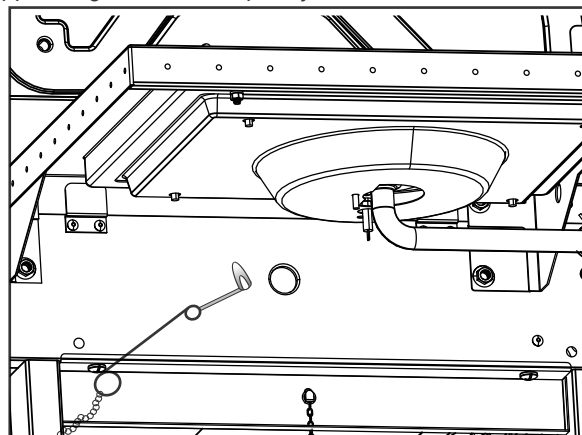
## Gass tenning Instruksjoner - Antenningslys

- **Du må ikke lene deg over grillen mens du tenner den.**
  1. Skru gassbrennerens kontrollventil til ○ (av).
  2. Åpne lokket under antenning eller når du antenner på nytt.
  3. Skru PÅ gassen på LP-gassflasken.
  4. For å antennes, dytte og slå tennbrenneren knotten til HIGH 🔻 . Umiddelbart, trykk og hold ELEKTRONISK IGNITOR 🔪 knappen til brenner lys.
  5. Dersom tenningen IKKE slår seg på innen fem sekunder, må du slå av ○ ,brennerkontrollene, vente fem minutter og gjenta antenningsprosedyren.
  6. For å tenne gjenværende brennere, må du skru knappen til den står på 🔻 HIGH, og start med brenneren som er nærmest IGNITION BURNER 🔪 først.



## Tenning av fyrstikker

- **Du må ikke lene deg over grillen mens du tenner den.**
  1. Skru gassbrennerens kontrollventil til ○ (av).
  2. Åpne lokket under antenning eller når du antenner på nytt.
  3. Skru PÅ gassen på LP-gassflasken.
  4. Putt fyrstikken inn i fyrstikkholderen (som henger på sidepanelet på grillen). Tenn fyrstikken, deretter tenner du på brenneren ved å plassere fyrstikken gjennom fyrstikkhullet på siden av grillen. Trykk inn og dreie brennerknotten til posisjonen 🔻 HIGH. Pass på at brennerlyset er tent og forblir på.
  5. Tenn brennerne ved siden av i rekkefølge ved å trykke inn knappene og dreie dem til posisjonen 🔻 HIGH.



**MERK: Grillen din er kanskje IKKE utstyrt med en kokeplate!**

### Kokeplatens tenningslys

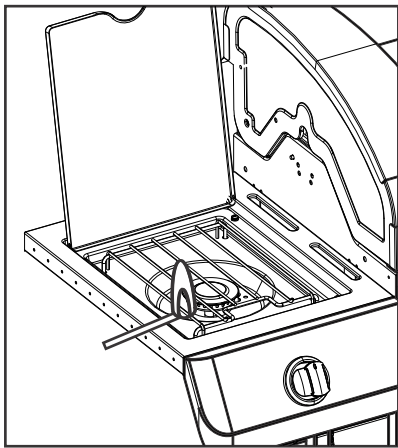
• Du må ikke lene deg over grillen mens du tenner den.

1. Drei kontrollventilene på gassbrenneren til ○ (av).
2. Åpne lokket under antenning eller når du antenner på nytt.
3. Skru PÅ gassen på LP-gassflasken.
4. Drei kokeplatens knott til den står i 🔥 HIGH, trykk inn og hold inne **ELECTRONIC IGNITOR**-knappen.
5. Dersom kokeplaten ikke tennes i løpet av fem sekunder, må du dreie knotten til ○ (Av), og så vente fem minutter før du gjentar opptenningsprosedyren.

### Tenne kokeplaten med fyrstikker

• Du må ikke lene deg over grillen mens du tenner den.

1. Skru gassbrennerens kontrollventil til ○ (av).
2. Åpne lokket under antenning eller når du antenner på nytt.
3. Skru PÅ gassen på LP-gassflasken.
4. Plassert den tente fyrstikken nær brenneren. Slå på kokeplaten med en gang og drei knotten til den står i 🔥 HIGH. Pass på at brennerlyset er tent og forblir på.



### Lekkasjetest av ventil, slange og regulator

Du må teste for lekkasje før første bruk, og deretter minst en gang i året, samt hver gang gassflasken blir skiftet ut eller koblet fra.

1. Drei alle kontrollknottene på apparatet til ○.
2. Pass på at regulatoren er godt festet til gassflasken.
3. Slå på gassen. Hvis du hører en raslende lyd, må du slå av gassen med en gang. Det er en stor lekkasje ved koblingen. Fiks den før du fortsetter.
4. Børst såpeopløsningen (blanding av såpe og vann) inn i slangekoblingene.
5. Dersom det oppstår bobler betyr det at det er en lekkasje. Skru av gassen på gassflasken umiddelbart og sjekk at koblingene er godt festet. Dersom lekkasjen ikke kan stoppes, må du ikke forsøke å reparere den selv. Ring for å få reservedeler.
6. Du må alltid slå av gassen fra gassflasken etter å ha utført en lekkasjetest.

### DERSOM APPARATET IKKE SLÅR SEG PÅ

- Pass på at gassen er slått på, på gassflasken.
- Pass på at det er gass på gassflasken.
- Kommer det gnistrelyder fra tenneren?
  - Hvis det gjør det, må du sjekke om det gnistrer ved brenneren.
  - Hvis ikke, må du sjekke ledningene er ødelagte eller løse.
- Dersom ledningene var i orden, kan du sjekke om elektrodene er sprukne eller ødelagte, og om nødvendig bytte dem.
- Dersom ledninger eller elektroder er dekket av matrester, rengjør du elektrodespissen med alkoholserviett (om nødvendig).
- Ledningene kan byttes ved behov.
- Sjekk batteriet hvis det ikke kommer noen lyd.
- Pass på at batteriet er riktig installert.
- Sjekk etter løse ledninger på enheten og bryteren.
- Bruk en fyrstikk hvis tenneren fortsatt ikke fungerer.



## FORSIKTIG



### EDDERKOPPVARSEL!

**EDDERKOPPER OG EDDERKOPPSPINN INNI BRENNEREN**



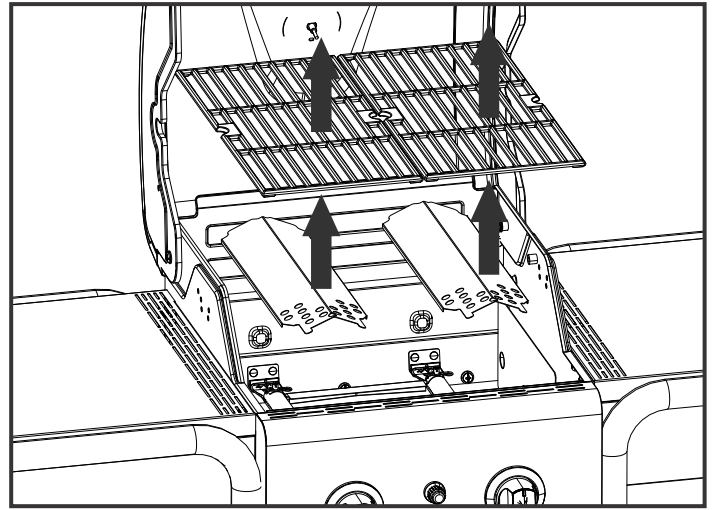
Dersom grillen blir vanskeligere å tenne, eller flammen er svak, kan du sjekke og rense venturirørene og brenneren.

Edderkopper eller små insekter er kjent for å skape problemer ved at flammene slås tilbake, da de bygger reder og legger egg i grillens venturirør eller brenner som hindrer gassflyten. Den overflødig gassen kan selvantenne bak kontrollpanelet. Denne tilbakekastingen av flammer kan skade grillen og forårsake personskader. For å forhindre tilbakekastning av flammer og sørge for god ytelse, bør brenneren og venturirørene fjernes og vaskes hver gang grillen ikke har vært i bruk på en stund.

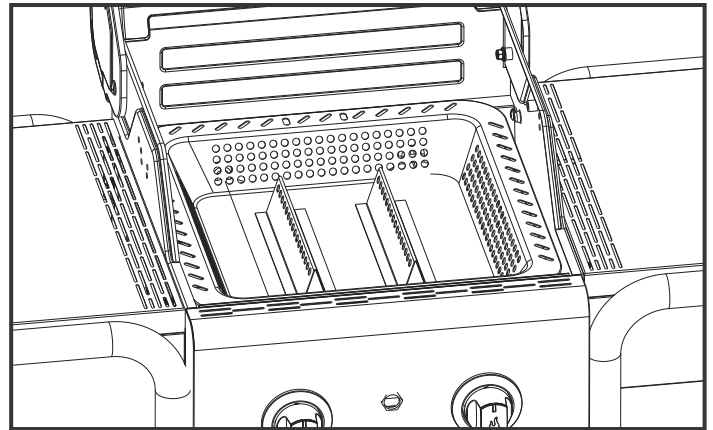
## Instruksjoner for tenning av trekull

1. Fjern grillristene mens grillen enda er kald.
2. Plasser grillkullskuffen i grillen.
3. Plasser ett lag med trekull i skuffen, maksimum 0.9 kg.
4. Skift ut ristene.
5. Mens lokket er åpent tenner du brenneren ved hjelp av **Instruksjoner for tenning med gass.**
6. Kjør gassbrenneren på 🔻 HIGH i 15 minutter mens lokket er på.
7. Vri kontrollknottene til ○ (av).
8. Åpne lokket og vent i fem minutter, eller til trekullet har blitt hvitt, før du legger på mat.
9. Ikke kok før drivstoff har et belegg av aske.

**MERK:** Grillen skal varmes opp og drivstoff holdt rødgldende i minst 30 minutter før den første kokk.



Fjern grillrister og Heat Telt



Slik plasserer du trekullskuffen på riktig måte.



### ADVARSEL



- Du må ikke bruke gassbrennere lengre enn 15 minutter dersom du bruker trekull.
- **ADVARSEL!** Ikke bruk sprit eller bensin til opptenning eller gjenopptenning! Bare bruk tennmidler som oppfyller kravene i EN1860-3!
- Du må aldri bruke tennvæske, parafin, bensin eller alkohol for å tenne på trekull.
- Bruk aldri vedkubber eller påtenningspulver i grillen.
- Pass på at trekullskuffen er plassert på riktig måte i brennkammeret FØR du tenner med trekull. Se illustrasjon.
- Fjern trekullskuffen fra brennkammeret og lagre den et annet sted når du bruker grillen kun med gass.
- Du må ikke bruke gassbrenneren når trekullskuffen er satt inn i brennkammeret uten trekull.



### ADVARSEL



**FARE FOR KARBONMONOKSIDFORGIFTNING** Brenning av trekull inne kan drepe. Det avgir karbonmonoksid, som ikke har noen lukt. **ALDRI** brenn trekull hjemme i kjøretøy eller i telt.

## Anbefalinger for rengjøring

- Rengjør grillen etter hver gang du har brukt trekull.
- Pass på at trekullet er absolutt slukket og at enheten har blitt tilstrekkelig avkjølt før du rengjør.
- Fjern trekullskuffen og tørk vekk all aske.

**Merk:** Etter bruk kan trekull forårsake misfarging. Dette er normalt under bruk.



### ADVARSEL



Etter at en trekullbrann ser ut til å være slukket, kan glødende kull holde på varmen i opptil 24 timer, og uventet blusse opp til igjen hvis det er tilgang til luft. Alle slike glør utenfor brennkammeret på grillen utgjør en brannfare, og kan utsettes, og kan være en brannfare hvis det finnes brennbare overflater som tredekk i nærheten.

## Rengjøring av brennerenheten

Følg disse anvisningene for å rengjøre og/eller bytte deler av brennerenheten, eller hvis du ikke får tent på grillen.

1. **Slå av gassen ved kontrollknottene og LP-gasstanken.**
2. Fjern stekerister og varmetelt.
3. Fjern overføringsrør og deler brenneren er festet med.
4. Koble elektroden fra brenneren.

**MERK:** Metoden for å fjerne / koble fra avhenger av brennerens innstillinger. Se de ulike konfigurasjonene i illustrasjonene nedenfor.

5. Løft hver enkelt brenner forsiktig opp og vekk fra ventilåpningene. Vi foreslår tre måter å rengjøre brennerrørene på. Bruk den som er enklest for deg.

**A.** Bøy en stiv metalltråd (en lett kleshenger vil fungere utmerket) til en liten krok. Kjør kroken gjennom hver brennerrør flere ganger.

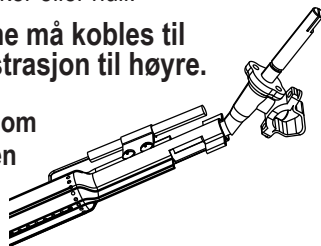
**B.** Bruk en smal flaskebørste med fleksibelt håndtak (ikke bruk en messingstrådbørste). Kjør børsten gjennom hver brennerrør flere ganger.

**C.** Bruk vernebriller: Bruk en luftslange for å tvinge luft inn i brennerrøret og ut av brenneråpningene. Sjekk ved hver dør at det kommer ut luft fra alle hullene.

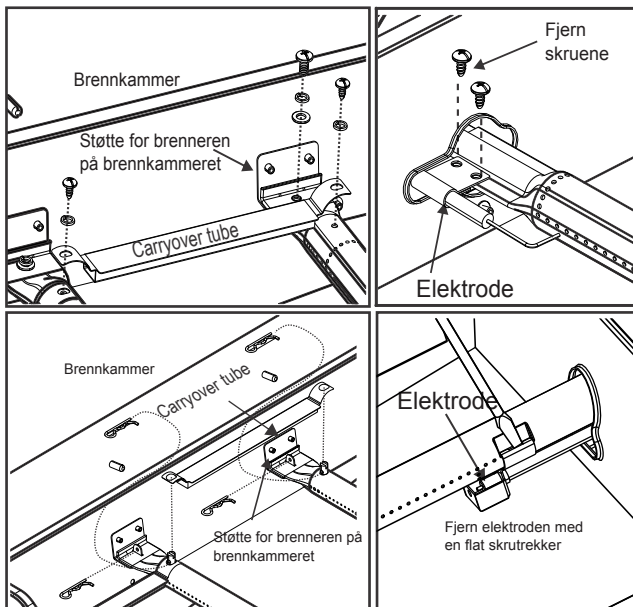
6. Bruk en stålborste på hele utsiden av brenneren for å fjerne matrester og smuss.
7. Rens alle blokkerte dører med en stiv ståltråd, som for eksempel en åpen binders.
8. Sjekk brenneren for skade fra naturlig slitasje og rustangrep. Noen hull kan ha blitt utvidet. Brenneren må byttes hvis den har store sprekker eller hull.

**VELDIG VIKTIG: Brennerrørene må kobles til ventilåpningene igjen. Se illustrasjon til høyre.**

**Riktig tilkobling mellom brenneren og ventilen**



9. Fest elektroden til brenneren.
10. Skift ut brennerne forsiktig.
11. Fest brennerne til festene på brennkammeret.
12. Endre stillingen til overføringsrørene og fest dem til brenneren. Skift ut varmeteltene og grillristene.
13. Før du lager mat igjen på grillen, må du utføre en "lekkasjetest" og "Kontroll av brennerflammen".



## Oppbevaring av apparatet

- Rengjør grillristene.
- Oppbevar dem på et tørt sted.
- Når gassflasken er koblet til apparatet, må den oppbevares utendørs i et område med god ventilasjon, og utenfor rekkevidde for barn.
- Dekk til apparatet hvis det skal oppbevares utendørs.
- Oppbevar apparatet innendørs KUN dersom gassflasken er skrudd av og frakoblet, fjernet fra apparatet og oppbevares utendørs.
- Sjekk at ingenting blokkerer brenneren når du tar frem apparatet igjen etter lagring.

## Generell rengjøring av apparatet

- Rengjør apparatet ofte, ideelt sett hver gang det har vært i bruk. Hvis en grisebustbørste brukes til å rengjøre noen av apparatets matlagingsoverflater, må du passe på at ingen buster henger igjen før du griller. Det er ikke anbefalt å rengjøre matlagingsoverflater mens apparatet fortsatt er varmt. Apparatet burde rengjøres minst en gang i året.
- Pass på at du ikke tror at svarte eller brune oppsamlinger av fett og røyk er maling. Innsiden av gassgriller males ikke på fabrikk (og bør heller ikke males). Påfør et sterkt vaskemiddel og vann, eller bruk apparatrens med skurebørste på innsiden av lokket og bunnen.
- Skyll og la den lufttørke. Ikke bruk etsende apparat-/ovnrens på malte overflater.
- Plastdeler: Vask med såpevann og tørk med en klut.
- Ikke bruk citrisol, skuremiddel, fettjernere eller konsentrert apparatrens på plastdelene. Hvis dette ikke følges, kan delene feilfunger.
- Porselenoverflater: Den glassaktige sammensetningen gjør at matrester kan tørkes bort med en oppløsning av bakepulver/vann eller et spesiallaget rensmiddel. Bruk et ikke-slipende skrubbepulver for vanskelige flekker.
- Malte overflater: Vask med et mildt eller ikke-slipende rengjøringsmiddel og varmt såpevann. Tørk av med en myk og ikke-slipende klut.
- Overflater av rustfritt stål: Ivareta apparatets kvalitetsutseende ved å vaske med et mildt rengjøringsmiddel og varmt såpevann og tørke med en myk klut etter hvert bruk. Det er mulig du må bruke en slipende rengjøringspute av plast for å bli kvitt innbakt fett. Børst kun i samme retning som overflaten for å unngå skade. Ikke bruk skrubbe på overflater med grafikk.
- Matlagingsoverflater: Hvis en grisebustbørste brukes til å rengjøre noen av apparatets matlagingsoverflater, må du passe på at ingen buster henger igjen før du griller. Det anbefales ikke å rengjøre matlagingsoverflaten mens apparatet fortsatt er varmt.

TEKNISKE DATA  
CHAR-BROIL, GmbH

Apparatets navn	Gassgrill			
Total nominell varmetilførsel	8,2 kW (597 g/t)			
Gasskategori	I3+(28-30/37)	I3B/P(30)	I3B/P(50)	
Modell nummer	468301221			468302221
Gasstype	Butan	Propan	Butan, propan eller en blanding	Butan, propan eller en blanding
Gasstrykk	28-30 mbar	37 mbar	28-30 mbar	50 mbar
Injektorens størrelse (dia. mm)	Grill: 1,04 x 2 stk.		Grill: 1,04 x 2 stk.	Grill: 0,92 x 2 stk.
Destinasjonsland	GB, FR, BE, ES, IT, PT, CZ, SK, CH, CY, GR, IE, LT, LU, LV, SI	DK, NO, NL, SE, FI, IS, CZ, IT, SK, BG, CY, EE, HR, HU, LT, LU, LV, MT, RO, SI, TR	AT, DE, CH, LU, SK	
strømforsyning	1.5VDC Batteri			

**ADVARSEL!**

De fleste flater på denne enheten er varme når de brukes. Bruk ekstrem forsiktighet. Hold andre vekk fra enheten. Bruk alltid verneutstyr for å unngå skade.

Ikke flytt denne enheten under drift.

Sett aldri bensin, parafin eller alkohol til kullstarter. I dette tilfellet kan paraffinbaserte startkubene erstattes av kullstarter. Bruk aldri kullstarterfluid med elektrisk start.

Alle overflater kan være varme under bruk. Bruk beskyttelse som nødvendig for å hindre brenning.

Ikke bruk denne enheten på eller i nærheten av brennbare overflater eller strukturer som tregulv, tørre løv eller gress, vinyl eller trefasade mv.

Etter at et kull er blitt slukket, kan ikke konsumvarer beholde varmen i opptil 24 timer, og hvis de er utsatt for frisk luft, kan de uventet bryte inn i flammen. Enhver form for brennstoff utenfor brannboksens brannboks utgjør en brannfare og kan antennes brennbare overflater som treverk.

Unnlattelse av å følge alle produsentens instruksjoner kan føre til alvorlig personskade og / eller skade på eiendom.

**Karbonmonoksidfare**

Brennende kull inni kan drepe deg. Det gir av karbonmonoksid, som ikke har lukt. Brenn aldri kull i hjem, kjøretøy eller telt.

**Ikke kok før drivstoffet har et beleggasse.**

**ADVARSEL! - Denne grillen blir veldig varm, ikke flytt den under drift.**

**Ikke bruk innendørs.**

**ADVARSEL! Bruk IKKE ånd eller bensin for belysning eller belysning! Bruk kun firelightere som overholder EN 1860-3!**

**ADVARSEL! Hold barn og kjæledyr unna.**

**MANGLENDE EVNE TIL Å LESE OG FØLGE INSTRUKSJONER FOR BELYSNING AV KARBON KAN RESULTERE I ALVORLIG PERSONSKADE OG ELLER SKADE PÅ EIENDOM.**

**BRUK ALTID FORSIKTIG VED HÅNDTERING VARME KALLEKER FOR Å FORBYTE SKADE.**

**LETT ALDRI BRANNEN MED BARBECUE-LIDEN ÅPEN.**



## SUBJEKT VYKONÁVAJÚCI INŠTALÁCIU/ MONTÁŽ:

Odovzdajte zákazníkovi užívateľskú príručku.

## ZAKAZNÍK:

Uschovajte tento návod pre budúce použitie.

## Otázky:

Ak máte otázky týkajúce sa montáže alebo použitia zariadenia, kontaktujte svojho miestneho predajcu..

## NEBEZPEČENSTVO

Ak zacítite plyn:

1. Vypnite prívod plynu do zariadenia.
2. Uhasťte otvorený oheň.
3. Otvorte poklop.
4. Ak zápach neprestáva, odstúpte od zariadenia a ihneď zavolajte dodávateľa plynu alebo hasičov.

## VAROVANIA

1. Neskladujte ani nepoužívajte benzín ani iné horľavé tekutiny v blízkosti tohto alebo iného zariadenia.
2. Neskladujte plynovú fľašu, ktorá nie je pripojená ku grilu, v blízkosti tohto alebo iného zariadenia.

## UPOZORNENIE

- Predtým ako začnete s montážou a grilovaním si prečítajte a dodržiavajte bezpečnostné upozornenia a pokyny na montáž, používanie a starostlivosť.
- Niektoré časti majú ostré hrany. Odporúčame používať ochranné rukavice.

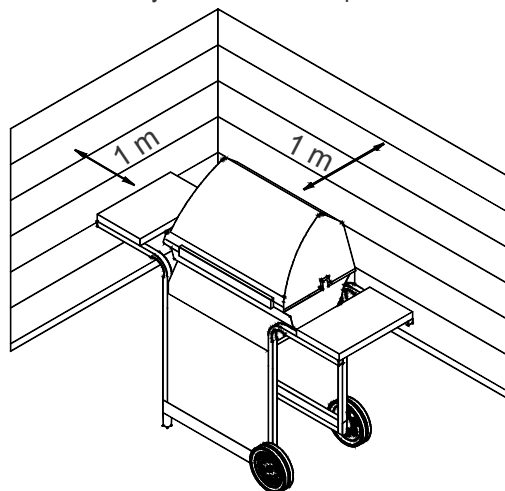
### Horenie mastných zvyškov

- Zatvorením poklopu nie je možné uhasiť horenie mastných zvyškov. Grily majú z bezpečnostných dôvodov dobré odvetrávanie.
- Na uhasenie horenia mastných zvyškov nepoužívajte vodu, môže dôjsť k zraneniu. Ak horenie neprestáva, vypnite ovládacie tlačidlá a odstavte prívod plynu z plynovej fľaše.
- Zanedbaním pravidelného čistenia zariadenia môže dôjsť k horeniu mastných zvyškov, čo môže spôsobiť poškodenie výrobku. Pri predhrievaní alebo vypaľovaní zbytkov jedla dávajte pozor a zabezpečte, aby nedošlo k požiaru. Predchádzajte takýmto požiarom tak, že budete dodržiavať všeobecné pokyny na čistenie zariadenia a častí horáku. Najlepším spôsobom ako predchádzať takýmto požiarom je pravidelné čistenie zariadenia.
- Pri predhrievaní alebo vypaľovaní zbytkov jedla na stupni HI nenechávajte gril bez dozoru. Zanedbaním pravidelného čistenia zariadenia môže dôjsť k horeniu mastných zvyškov, čo môže spôsobiť poškodenie výrobku.

## VAROVANIA

### Bezpečné používanie zariadenia a predchádzanie vážnych zranení:

- **ZARIADENIE JE URČENÉ IBA NA VONKAJŠIE POUŽITIE. NIKDY NEPOUŽÍVAJTE VNÚTRI.** Pred použitím zariadenia si prečítajte pokyny. Tieto pokyny vždy dodržiavajte
- Počas prevádzky zariadenie nikdy nepremiestňujte
- Prístupné časti môžu byť veľmi horúce. Malé deti udržiavajte v bezpečnej vzdialenosti. Nedovoľte im, aby sa hrali v blízkosti zariadenia.
- Po použití vypnite prívod plynu na plynovej fľaši.
- Zariadenie udržiavajte v bezpečnej vzdialenosti od horľavých materiálov.
- Neupchávajte otvory na bokoch a v zadnej časti zariadenia
- Na horáku neupchávajte otvory Venturiho trubice.
- Zariadenie používajte na dobre vetraných miestach. NIKDY nepoužívajte v uzavretých priestoroch, napr. pod prístreškom na autá, v garáži, verande, krytej terase alebo pod inou strešnou konštrukciou.
- Plynové zariadenie nie je určené na použitie s dreveným uhlím alebo keramickými briketami.
- **NEPOKRÝVAJTE** rošt hliníkovou fóliou alebo iným materiálom. Môže to spôsobiť zablokovanie odvetrávania horáka, tým vytvoriť potencionálne nebezpečnú situáciu, ktorá môže viesť k poškodeniu majetku a/alebo zraneniu.
- **Zariadenie používajte najmenej 1 meter od steny alebo iného povrchu**
- Zariadenie udržiavajte 3 metre od horľavých predmetov alebo zdrojov vznietenia, ako sú napr. kontrolné žiarovky na ohrievačoch vody, živé elektrické spotrebiče, atď.



- NIKDY sa nepokúšajte zapáliť horák so zatvoreným poklopom. Vo vnútri uzavretého zariadenia môže dôjsť k vytvoreniu nebezpečných nezapálených plynov.
- Pred premiestnením plynovej fľaše z určenej prevádzkovej pozície vždy vypnite prívod plynu na fľaši a odpojte ovládač.
- Ak plynová fľaša nie je na určenej prevádzkovej pozícii, nikdy zariadenie nepoužívajte.
- Na zariadení nevykonávajte žiadne úpravy. Všetky úpravy sú prísne zakázané. Užívateľ nie je oprávnený manipulovať so zapečatenými časťami. Nevykonávajte demontáž vstrekovačov.

## Bezpečnostné tipy

- Pred otvorením ventilu plynovej fľaše skontrolujte tesnosť ovládača.
- Keď nie je zariadenie v prevádzke, vypnite všetky ovládacie tlačidlá aj prívod plynu.
- Popáleninám a obareninám predchádzajte použitím rukavíc a náradia na grilovanie s dlhou rúčkou. Pri manipulácii s horúcimi časťami používajte ochranné rukavice.
- Maximálna záťaž ohrevnej platne, ak je súčasťou výbavy, a bočnej poličky je 4,5 kg. Grilovacia nádoba má minimálny priemer 200 mm a maximálny priemer 260 mm. **POZNÁMKA:** Váš gril NEMUSÍ byť vybavený ohrevnou platňou!
- Olejový zásobník (ak je súčasťou výbavy) musíte vložiť do vnútra zariadenia a po každom použití ho vyprázdniť. Neodstraňujte olejový zásobník, pokiaľ zariadenie úplne nevychladlo.
- Buďte opatrní pri otváraní poklopu, pretože hrozí únik horúcej pary.
- Be very careful when children, the elderly, or pets are nearby.
- Postupujte veľmi opatrne, keď sa v blízkosti nachádzajú deti, starší ľudia alebo domáce zvieratá.
- Ak zistíte, že olej alebo iný horúci materiál kvapká zo zariadenia na ventil, kábel alebo ovládač, ihneď vypnite prívod plynu. Určite príčinu, zabezpečte opravu, následne pred pokračovaním vyčistite a skontrolujte ventil, kábel a ovládač. Vykonajte skúšku tesnosti.
- Neskladujte žiadne predmety alebo materiály vo vnútri krytého vozíka zariadenia, ktoré by mohli zamedziť toku spaľovacieho vzduchu smerom do spodnej časti riadiaceho panela alebo kotla.

## Výmena plynovej fľaše

Plynovú fľašu s hmotnosťou do 6 kg umiestnite na zem pod bočnú poličku alebo do vnútra zariadenia na určené miesto. Väčšie fľaše sa musia umiestniť iba pod bočnú poličku alebo za gril. Fľaše, ktoré je možné umiestniť do vnútra zariadenia, musia mať maximálny priemer 345 mm a maximálnu výšku 430 mm. Fľaše stojace na zemi sa nesmú umiestňovať pod ohrevnú platňu.

## Požiadavky na ovládač

S týmto zariadením sa musí používať ovládač. Používajte iba plynový ovládač dodaný spolu s týmto grilom. Ak ovládač nie je súčasťou výbavy grilu, potom používajte certifikovaný ovládač v súlade s normou EN16129 (Max. rýchlosť toku 1,5 kg/hod.) a schválený pre vašu krajinu a plyn, ako je to podrobne stanovené v Technických údajoch.

## Požiadavky na hadice

Používajte iba schválenú hadicu, ktorá je certifikovaná podľa príslušnej normy EN a nepresiahne dĺžku 1,5 metra. Vo Fínsku dĺžka hadice nesmie presiahnuť dĺžku 1,2 metra. Pred každým použitím skontrolujte, či nie sú hadice prerezané alebo opotrebované. Uistite sa, že hadica nie je zauzlená. Zabezpečte, aby sa pripojená hadica nedotýkala žiadnych zahriatych povrchov. Pred použitím zariadenia zabezpečte výmenu poškodených hadíc. Výmenu vykonajte v súlade s vnútroštátnymi požiadavkami.

Pred použitím musí byť gril nainštalovaný na bezpečnej základni.

## Pokyny plyn zapalovanie - Zapalovanie ignítorom

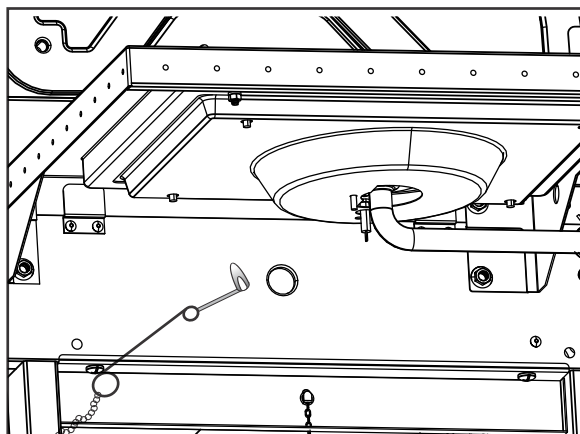
- **Pri zapalovaní sa neopierajte o gril.**
1. Otočte ventily ovládača plynového horáka do pozície O (vypnutý).
  2. Počas zapalovania alebo opätovného zapalovania majte poklop otvorený.
  3. Zapnite prívod plynu na LPG fľaši.
  4. Ak chcete zapáliť, stlačte a otočte gombík zapalovania horáka ⚡ na HIGH ⬇️. Okamžite stlačte a podržte tlačidlo ELECTRONIC Zapalovač, kým svetla horáka.
  5. Pokiaľ sa oheň neobjaví do piatich sekúnd, otočte ovládač horáka do pozície O (vypnutý), čakajte päť minút a zopakujte celý proces zapalovania znova.
  6. Ak chcete zapáliť ďalšie horáky, otočte tlačidlom do pozície ⬇️ VYSOKÝ (HIGH). Začnite s horákmi, ktoré sú najbližšie ku ZAPALOVANIA HORÁKA. ⚡

⚠️	<b>VAROVANIE</b>	⚠️
<b>Ak nie je zariadenie v prevádzke, vypnite všetky ovládače a prívod plynu z plynovej fľaše.</b>		

⚠️	<b>UPOZORNENIE</b>	⚠️
<b>Pokiaľ sa oheň NEOBJAVÍ do piatich sekúnd, otočte ovládač horáka do pozície O (vypnutý), čakajte päť minút a zopakujte celý proces zapalovania znova. Ak sa horák nezapáli pomocou otvoreného ventilu, plyn bude naďalej unikať z horáka, môže sa náhodne vznietiť a spôsobiť vážne zranenie.</b>		

## Zapalovanie pomocou zápalkiek

- **Pri zapalovaní sa neopierajte o gril.**
1. Otočte ventily ovládača plynového horáka do pozície O (vypnutý).
  2. Počas zapalovania alebo opätovného zapalovania majte poklop otvorený.
  3. Zapnite prívod plynu na LPG fľaši.
  4. Umiestnite zápalky do držiaka zápalky (je zavesený na bočnom paneli grilu). Zapáľte zápalku; potom zapáľte horák tak, že prestričíte zápalku cez otvor na bočnej strane grilu. Ihneď ju zasuňte do vnútra a otočte gombík horáka do pozície ⬇️ VYSOKÝ (HIGH). Uistite sa, že horák horí.
  5. Postupne zapáľte vedľajšie horáky stlačením gombíkov a otočením do pozície ⬇️ VYSOKÝ (HIGH).



**POZNÁMKA: Váš gril NEMUSÍ byť vybavený ohrevnou platňou!**

### Zapálenie ohrevnej platne pomocou ignítora

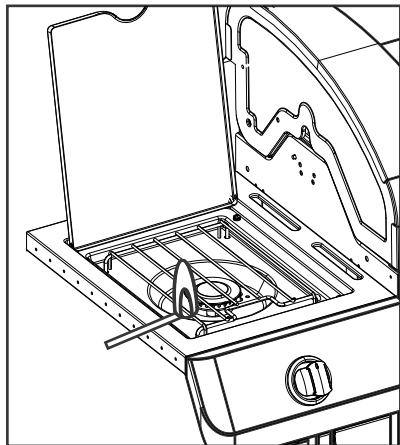
• Pri zapáľovaní sa neopierajte o gril.

1. Otočte ventily ovládača plynového horáka do pozície ○ (vypnutý).
2. Počas zapáľovania alebo opätovného zapáľovania majte pokolp otvorený.
3. Zapnite prívod plynu na LPG fľaši.
4. Otočte gombík ohrevnej platne do pozície 🔥 VYSOKÝ (HIGH), stlačte a držte tlačidlo **ELEKTRONICKÉHO IGNÍTORA**.
5. Pokiaľ sa nezapáli ohrevná platňa do piatich sekúnd, otočte ovládač do pozície ○ (vypnutý), čakajte päť minút a zopakujte celý proces zapáľovania znova.

### Zapálenie ohrevnej platne pomocou zápalek

• Pri zapáľovaní sa neopierajte o gril.

1. Otočte ventily ovládača plynového horáka do pozície ○ (vypnutý).
2. Počas zapáľovania alebo opätovného zapáľovania majte pokolp otvorený.
3. Zapnite prívod plynu na LPG fľaši.
4. Priložte zapálenú zápalku ku horáku. Okamžite otočte gombík ohrevnej platne do pozície 🔥 VYSOKÝ (HIGH).



### Skúška tesnosti ventilov, hadice a ovládača

Vykonajte skúšku tesnosti pred prvým použitím, najmenej jedenkrát za rok a vždy pri výmene a odpojení fľaše.

1. Otočte všetky tlačidlá zariadenia do pozície ○.
2. Zabezpečte, aby bol ovládač pevne pripojený ku plynovej fľaši.
3. Zapnite prívod plynu. Ak počujete zvuk rýchleho toku plynu, ihneď prívod plynu odstavte. Bude tam veľký únik pri spoji. Predtým, ako budete pokračovať, zabezpečte nápravu.
4. Naneste na hadicové spoje mydlový roztok (zmes mydla a vody v pomere 1:1).
5. Ak sa objavia rastúce bubliny, znamená to, že uniká plyn. Okamžite vypnite prívod plynu na fľaši a skontrolujte tesnosť spojov. Ak sa únik plynu nedá zastaviť, nesnažte sa to opraviť. Zavolajte a požiadajte o náhradné diely.
6. Po vykonaní skúšky tesnosti vždy vypnite prívod plynu na fľaši.

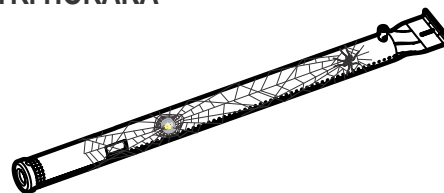
### AK SA VAŠEMU ZARIADENIU NEDARÍ HORIEŤ

- Uistite sa, že je na fľaši zapnutý prívod plynu.
- Uistite sa, že vo fľaši je plyn.
- Vydáva ignítor iskrivý zvuk?  
Ak áno, skontrolujte zapáľovanie v horáku.  
Ak to nie je zapáľovanie, skontrolujte, či nie sú káble poškodené alebo uvoľnené.
- Ak sú káble v poriadku, skontrolujte, či nie je elektróda prasknutá alebo nefunkčná, v prípade potreby ju vymeňte.
- Ak sa na kábloch a elektródach nachádzajú zvyšky jedla, v prípade potreby utrite alkoholom hrot elektródy.
- V prípade potreby zabezpečte výmenu káblov.
- V prípade žiadneho zvuku skontrolujte batériu.
- Uistite sa, že je batéria správne namontovaná.
- Skontrolujte, či nie sú pri module a spínači uvoľnené káble.
- Ak ignítor naďalej nefunguje, potom použite zápalky.



### POZOR NA PAVÚKOV!

PAVÚKY A PAVUČINY  
VO VNÚTRI HORÁKA



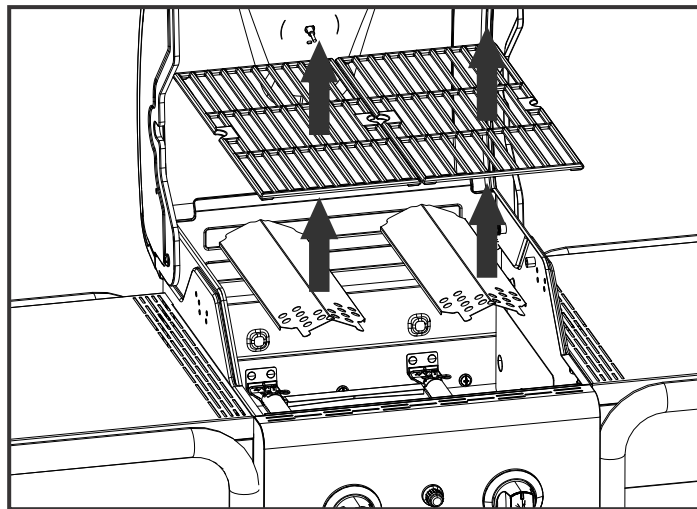
Ak sa vám gril ťažko zapáľuje alebo je plameň slabý, skontrolujte a vyčistite Venturiho trubicu a horáky.

Pavúky alebo malý hmyz sú známe tým, že svojimi pavučinami a nakladenými vajíčkami vo Venturiho trubici alebo horáku grila spôsobujú problémy so spätným zašľahnutím plameňa a tým bránia prúdeniu plynu. Zatlačený plyn môže zapáliť za kontrolným panelom. Spätne zašľahnutie plameňa môže viesť k poškodeniu grilu a spôsobiť zranenie. Keď sa dlhší čas gril nepoužíva, musíte demontovať a vyčistiť horák a zostavu Venturiho trubice, aby sa predišlo spätnému zašľahnutiu plameňa a bol zabezpečený jeho dobrý výkon.

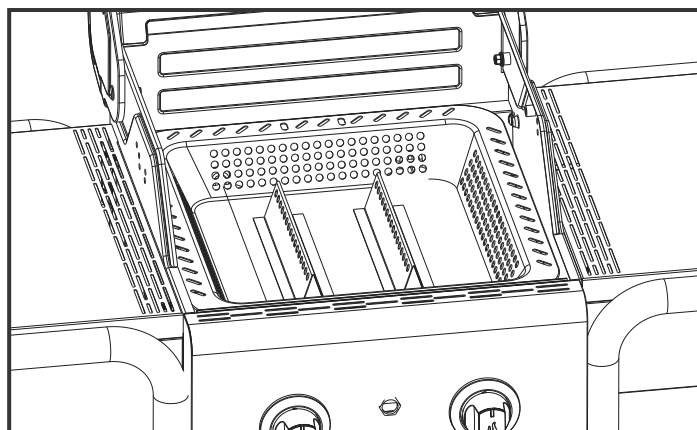
## Pokyny zapalovania pomocou dreveného uhlia

1. Keď gril vychladne, odstráňte grilovacie rošty.
2. Do grilu umiestnite tácku na drevené uhlie.
3. Umiestnite na tácku jednu vrstvu dreveného uhlia, max. množstvo 0.9 kg.
4. Vymeňte grilovacie rošty.
5. Podľa **Pokynov na zapalovanie plynom** plynom a s otvoreným poklopom zapáľte horáky.
6. Udržiavajte plynové horáky na pozícii **HIGH (VYSOKÝ)** po dobu 15 minút so zatvoreným poklopom.
7. Otočte ovládacie tlačidlá do pozície **O (Vypnutý)**.
8. Otvorte poklop a počkajte 5 minút, pokiaľ sa na uhli nevytvorí biely popol, potom môžete začať grilovať.
9. Nevarte skôr, než palivo má povlak z popola.

**POZNÁMKA:** Barbecue treba zahriať a palivo udržiava red hot po dobu aspoň 30 minút pred vašou prvou kuchára.



Odstráňte varenie rošty a tepla Stany



Správne umiestnenie tácky na uhlie

**VAROVANIA**

- Pri použití dreveného uhlia nemanipulujte s plynovými horákmi dlhšie ako 15 minút.
- **VAROVANIE!** Na zapálenie alebo opätovné zapálenie ohňa nepoužívajte lieh alebo benzín! Používajte iba zapalovače spĺňajúce normu EN1860-3!
- Pri zapalovaní nikdy nepoužívajte zapalovaciu kvapalinu, petrolej, benzín ani alkohol.
- Nikdy vo vašom grile nepoužívajte kusy dreva alebo urýchľovače horenia.
- Začnite IBA s dreveným uhlím tak, že správne umiestnite tácku na drevené uhlie do kotla. Vid' obrázok.
- Ak chcete použiť gril s iba plynom, odstráňte tácku na drevené uhlie z kotla a uskladnite ju.
- Nemanipulujte s plynovými horákmi, keď je tácka na drevené uhlie umiestnená v kotli bez uhlia.

**VAROVANIA**

**NEBEZPEČENSTVO OXIDU UHOĽNATÉHO** Horenie dreveného uhlia v uzavretom priestore môže spôsobiť smrť. Vylučuje sa oxid uhoľnatý, ktorý je bez zápachu. NIKDY nezapaľujte drevené uhlie vo vnútri domu, vozidla alebo stanu.

**VAROVANIA**

Po uhasení uhlia si nespotrebované uhličky môžu udržať teplotu až do 24 hodín. Na vzduchu môžu nečakane vzbĺknúť. Všetky takého uhličky nachádzajúce sa mimo kotla grilu predstavujú nebezpečenstvo požiaru a pri vystavení môžu spôsobiť horenie horľavých povrchov, napr. drevených dosiek.

## Odporúčania na čistenie

- Gril je potrebné vyčistiť po každom použití dreveného uhlia.
- Pred čistením sa uistite, aby bolo uhlie kompletne uhasené a zariadenie dostatočne vychladené.
- Odstráňte tácku na uhlie a vyberte všetok popol.

**Poznámka:** Po použití môže dôjsť k zmene farby tácky. Pri používaní grilu je to obvyklé.

## Čistenie zostavy horáka

Pri čistení a/alebo výmene častí horáka alebo ak máte problémy so zapálením grilu, postupujte podľa týchto pokynov.

1. **Vypnite prívod plynu na ovládacích tlačidlách a LPG fľaši.**
2. Odstráňte grilovacie rošty a aróma koľajnice.
3. Odstráňte pohyblivé trubice a vybavenie na montáž horákov.
4. Odpojte elektródu z horáka.

**POZNÁMKA:** Spôsob odstránenia/demontáže bude závisieť od konfigurácie horáka. Rôzne konfigurácie môžete vidieť na nižšie uvedených obrázkoch.

5. Opatrne nadvihnite a vyberte všetky horáky z ventilových otvorov. Odporúčame tri spôsoby čistenia trubice horáka. Riadte sa tým pre vás najľahším spôsobom.

**A.** Ohnite ostrý drôt (vešiak na ľahší kabát môže dobre poslúžiť) do tvaru menšieho háku. Prestrčte hák niekoľko-krát cez trubicu horáka.



**B.** Použite úzku kefu na fľašu s ohybnou rukoväťou (v žiadnom prípade nepoužite drôtenú kefu), ktorú niekoľko-krát prestrčte cez trubicu horáka.

**C. Použite ochranu na oči:** Pomocou vzduchovej hadice dostanete vzduch do trubice horáka a von ventilmi horáka. Skontrolujte, či vzduch vychádza zo všetkých ventilov.

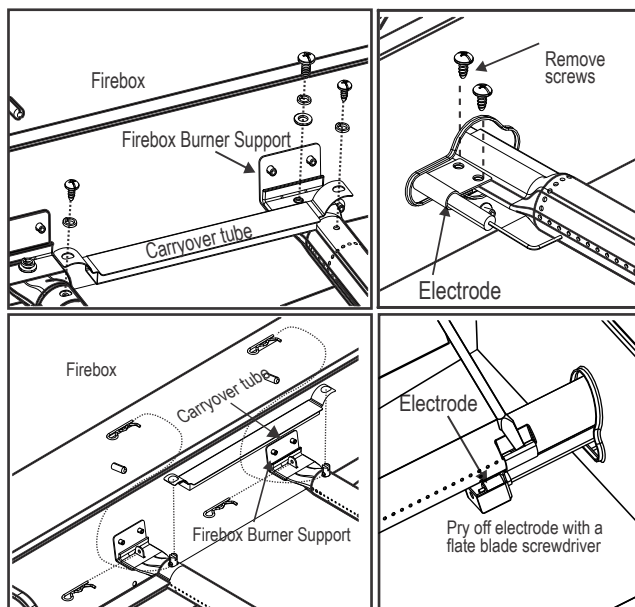
6. Pomocou drôtenej kefy vyčistite vonkajšiu časť horáka a odstráňte zbytky jedla a špinu.
7. Vyčistíte všetky upchané ventily pomocou ostrého drôtu, napr. pomocou otvorenej spinky na papier.
8. Uistite sa, že horák nie je poškodený, pretože v dôsledku bežného opotrebovania a korózie sa môžu trhlinky zväčšovať. V prípade, ak nájdete nejaké trhliny, horák radšej vymeňte.

**VELMI DÔLEŽITÉ: Trubicu horáka musíte znovu zapojiť cez otvor ventila. Vid' obrázok napravo.**

**Správne zapojenie horáka cez otvor ventila**



9. Pripevnite elektródu k horáku.
10. Opatrne vykonajte výmenu horákov.
11. Pripevnite horáky ku držiakom v kotli.
12. Pohyblivé trubice uložte na miesto a pripevnite k horákom. Znovu inštalujte aróma koľajnice a grilovacie rošty.
13. Pred grilovaním znova vykonajte „skúšku tesnosti“ a „kontrolu plameňa na horáku“.



## Skladovanie zariadenia

- Vyčistite grilovacie rošty.
- Zariadenie skladujte na suchom mieste.
- Ak je ku zariadeniu pripojená plynová fľaša, skladujte ho vonku na dobre vetranom mieste a mimo dosahu detí.
- Pri skladovaní vonku používajte na zariadenie obal.
- Skladovať zariadenie vnútri je možné IBA vtedy, keď je plynová fľaša od zariadenia odpojená a uložená vonku.
- Po skladovaní skontrolujte, či sa v horákoch nenachádzajú nejaké prekážky.

## Všeobecné pokyny na čistenie zariadenia

- Zariadenie čistite často, pokiaľ možno po každom grilovaní. Ak na čistenie grilovacích povrchov používate štetinovú kefku, uistite sa, aby uvoľnené štetiny nezostali na grilovacom povrchu pred grilovaním. Odporúča sa čistiť grilovacie povrchy, keď sú horúce. Zariadenie by sa malo vyčistiť aspoň raz za rok.
- Nemýľte si hnedé a čierne usadeniny mastnoty a dymu s farbou. Na vnútornú časť plynového grilu sa ani v továrni nenanáša farba (nikdy by sa nemala). Na čistenie použite silný roztok čistiaceho prostriedku a vody alebo použite čistič so škrabkou a vyčistíte vnútorné časti poklopu a spodnej časti zariadenia. Opláchnite a nechajte na vzduchu úplne vyschnúť. Na povrchy natrené farbou nepoužívajte žieravé látky alebo čističe na rúry.
- Plastové časti: Umyte teplou mydlovou vodou a utrite do sucha.
  - Na plastové časti nepoužívajte citrizol, abrazívne a koncentrované čistiace prostriedky, ani odmasťovače. Môže to viesť k poškodeniu a nefunkčnosti častí zariadenia.
- Porcelánové povrchy: Kvôli zloženiu podobnému sklu sa dá väčšina usadenín odstrániť pomocou jedlej sódy/vodného roztoku alebo špeciálne namiešaného čistiaceho prostriedku. Na nepodajnú špinu použite neabrazívny čistiaci prášok.
- Povrchy natrené farbou: Umyte pomocou jemného alebo neabrazívneho čistiaceho prostriedku a teplej mydlovej vody. Utrite do sucha jemnou neabrazívnou handričkou.
- Povrchy z nehrdzavejúcej ocele: Po každom použití umývajte jemným čistiacim prostriedkom a teplou mydlovou vodou, aby si zariadenie uchovalo vzhľad najvyššej kvality. Potom vytrite do sucha jemnou handričkou. Pripálené masťné usadeniny budú vyžadovať použitie abrazívnej plastovej škrabky. Používajte v smere vrúbkovanej úpravy povrchu, aby ste sa vyhli poškodeniu. Abrazívnu škrabku nepoužívajte na plochách s grafikou.
- Grilovacie povrchy: Ak na čistenie všetkých grilovacích povrchov používate štetinovú kefku, uistite sa, aby vypadnuté štetiny nezostali na grilovacích povrchoch pred grilovaním. Neodporúča sa čistiť grilovacie povrchy počas prevádzky grilu.

TECHNICKÉ ÚDAJE  
CHAR-BROIL, GmbH

Názov zariadenia	Plynový gril			
Celkový menovitý tepelný príkon	8,2 kW (597 g/h)			
Plynová kategória	I3+(28-30/37)	I3B/P(30)	I3B/P(50)	
Číslo modelu.	468301221			468302221
Typ plynu	Bután	Propán	Bután, propán alebo ich zmesi	Bután, propán alebo ich zmesi
Tlak plynu	28-30 mbar	37 mbar	28-30 mbar	50 mbar
Iveľkosť vstrekača (priemer v mm)	Gril: 1,04 x 2 pcs		Gril: 1,04 x 2 pcs	Gril: 0,92 x 2 pcs
Cieľové krajiny	GB, FR, BE, ES, IT, PT, CZ, SK, CH, CY, GR, IE, LT, LU, LV, SI	DK, NO, NL, SE, FI, IS, CZ, IT, SK, BG, CY, EE, HR, HU, LT, LU, LV, MT, RO, SI, TR	AT, DE, CH, LU, SK	
Elektrická Potreba	1.5VDC Battery			

### VÝSTRAHA!

Na tomto grile je väčšina povrchov horúcich počas prevádzky. Potrebná je mimoriadna opatnosť. Nedovoľte, aby sa ostatní ľudia zdržiavali v blízkosti zariadenia. Vždy noste ochranný odev, aby nedošlo k zraneniu.

Počas prevádzky toto zariadenie nepresúvajte.

Namiesto dreveného uhlia nikdy nepoužívajte benzín, petrolej alebo lieh. V tomto prípade je možné použiť na zapálenie dreveného uhlia podpaľovacie kocky na báze parafínu. V prípade elektrického štartéra nikdy nepoužívajte kvapalnú podpaľovač dreveného uhlia.

Nedodržanie všetkých pokynov od výrobcu môže mať za následok vážne zranenie alebo škodu na majetku.

Všetky povrchy môžu byť počas prevádzky horúce. Noste ochranné pomôcky, aby nedošlo k popáleniu. Toto zariadenie nepoužívajte na alebo v blízkosti horľavých povrchov alebo konštrukcií, ako napríklad drevené paluby, suché lístie alebo tráva, vinylový alebo drevený obklad a podobne.

Po uhasení dreveného uhlia môžu zostávajúce žeravé uhlíky vyžarovať teplo až 24 hodín a ak sú vystavené čerstvému vzduchu, môžu neočakávane vzplanúť. Takéto žeravé uhlíky mimo ohniska grilu predstavujú nebezpečenstvo požiaru a môžu zapáliť horľavé povrchy, ako napríklad drevené paluby.

**NEBEZPEČENSTVO TVORBY OXIDU UHOĽNATÉHO** Spaľovanie dreveného uhlia vnútri vás môže usmrtiť. Pri jeho spaľovaní vzniká oxid uhoľnatý, ktorý nemá žiadny zápach. Drevené uhlie NIKDY nespáľujte v domoch, vozidlách alebo stanoch.

Nevarujte predtým, ako má palivo popolový náter.

**VÝSTRAHA!** - tento gril bude veľmi horúci, NEPOUŽÍVAJTE ho počas prevádzky.

Nepoužívajte vo vnútri.

**VÝSTRAHA!** Nepoužívajte benzín ani benzín na osvetlenie alebo opätovné osvetlenie! Používajte iba hasiace prostriedky podľa EN 1860-3!

**VÝSTRAHA!** Držte deti a domáce zvieratá mimo dosahu.

## UPPSETNINGARAÐILI:

Þessi handbók á að vera hjá notandanum.

## NOTANDI:

Geymdu leiðbeiningarnar til að fletta upp í þeim síðar.

## Spurningar:

Ef spurningar vakna við samsetningu eða notkun tækisins skaltu hafa samband við staðbundinn söluaðila.

!HÆTTA!

Ef þú finnur gaslykt:

1. Slökktu á gasflæði til grillsins.
2. Slökktu allan opinn eld.
3. Opnaðu lokið.
4. Ef lyktin hverfur ekki skaltu halda þig fjarri tækinu og hringja strax í söluaðila gassins eða slökkvilið.

!VIÐVÖRUN!

1. Ekki geyma eða nota bensín eða aðra eldfima vökva nálægt þessum eða öðrum búnaði.
2. Ekki má geyma ótengdan gaskút, sem á að nota, nálægt þessum eða öðrum búnaði.

!VARÚÐ!

- Lestu og fylgdu öllum öryggisfyrirmælum, leiðbeiningum um samsetningu og umhirðu áður en þú setur grillið saman og eldar á því.
- Sumir hlutar kunna að vera með skarpar brúnir. Ráðlagt er að nota hlífðarhanska.

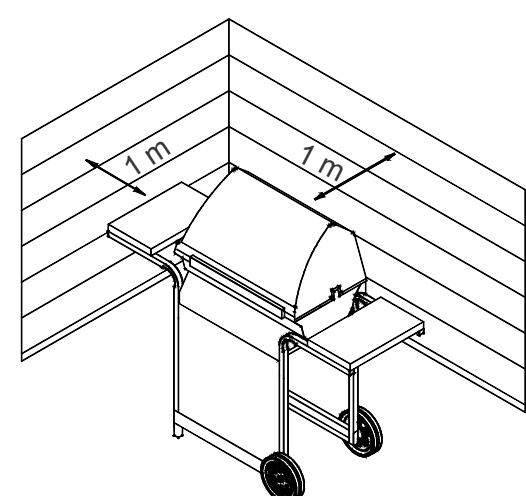
**Eldur af völdum feiti**

- Ekki er hægt að slökkva eld í feiti með því að loka lokinu. Grill eru vel loftræst af öryggisástæðum.
- Ekki nota vatn á feiti, það getur leitt til persónulegra meiðsla. Ef kviknar í feiti, sem ekki slokknar, skaltu skrufa fyrir alla hnúða og gaskútinn..
- Ef grillið er ekki þrifið reglulega getur kviknað í feiti sem skemmir vöruna. Gættu þess vel við forhitun eða ef þú brennir matarleifar í burtu að tryggja að ekki kvikni í feiti. Fylgdu leiðbeiningunum um almenn þrif grillsins og þrif á brennarabúnaðinum til að koma í veg fyrir eld í feiti. Besta leiðin til að koma í veg fyrir að kvikni í feiti er að þrifa grillið reglulega.
- Ekki skilja grillið eftir án eftirlits við forhitun þess eða ef matarleifar eru brenndar í burtu á Hl. Ef grillið hefur ekki verið þrifið reglulega getur kviknað í feiti sem kann að skemma vöruna.

!VIÐVÖRUN!

**Fyrir örugga notkun grillsins og til að koma í veg fyrir alvarleg meiðsli:**

- **NOTAÐU AÐEINS UTANDYRA. NOTAÐU ALDREI INNANDYRA.** Lestu leiðbeiningarnar áður en þú notar grillið. Fylgdu ávallt leiðbeiningunum.
- Ekki færa grillið við notkun.
- Aðgengilegir hlutir kunna að vera mjög heitir. Haltu ungum börnum fjarri. Ekki leyfa börnum að nota eða leika sér nálægt grillinu.
- Skrufaðu fyrir gasið á kútnum eftir notkun.
- Halda skal grillinu fjarri eldfimur efnum við notkun.
- Ekki hylja op á hliðum eða aftan á grillinu.
- Athugaðu loga brennarans reglulega.
- Ekki loka rennslisviðnámstöðunum á brennarunum. Notaðu grillið aðeins á vel loftræstum svæðum. Notaðu það ALDREI í lokuðum rýmum eins og í bílskýlum, bílskúrum, veröndum, á lokuðum sólpöllum eða undir neins konar mannvirkjum.
- **EKKI** hylja ristar með álpappír eða öðrum efnum. Það leiðir til þess að loftræsting brennarans lokast og getur skapað ástand sem er hugsanlega hættulegt og getur leitt til eignatjóns og/eða meiðsla.
- **Notaðu grillið að minnsta kosti 1 m í burtu frá veggjum eða yfirborðum.**
- Haltu 3m fjarlægð frá hlutum sem getur kviknað í eða eldsupptökum eins og gaumljósum á vatnshiturum, rafmagnsbúnaði í gangi, o.s.frv.



The diagram illustrates a grill positioned in a corner of a room. Two arrows point from the grill to the adjacent walls, each labeled '1 m', indicating the required clearance on both sides for safe operation.

- Reyndu ALDREI að kveikja á brennara með lokið lokað.
- Uppsófnun á gasi, sem ekki hefur kviknað í, inni í lokuðu grilli er hættuleg.
- Skrufaðu ávallt fyrir gaskútinn og aftengdu stillinn áður en þú færir gaskútinn úr þeirri notkunarstöðu sem tiltekin er.
- Notaðu grillið aldrei með gaskútinn í annarri stöðu en tiltekin er.
- Ekki gera breytingar á grillinu. Allar breytingar eru stranglega bannaðar. Notandinn má ekki fíka við límda hluti. Ekki taka innspýtingarbúnað í sundur.

## Öryggisráð

- Áður en lokinn á gaskútum er opnaður skaltu athuga hvort stillirinn sé vel þéttur.
- Þegar grillið er ekki í notkun skaltu skrúfa fyrir alla stjórnhnúða og gasið.
- Notaðu grilláhöld með löngu handfangi og ofnhanska til að koma í veg fyrir að þú brennir þig. Notaðu hlífðarhanska þegar þú meðhöndlar heita hluti.
- Hámarksþungi fyrir hitaplötuna og hliðarhilluna er 4,5 kg Lágmarksþvermál eldunaríláts 200 mm og að hámarki 260 mm
- Feitilátið (ef fylgir) þarf að vera sett í tækið og tæmt eftir hverja notkun Ekki fjarlægja feitilátið fyrr en tækið hefur kólnað alveg.
- Sýndu mikla aðgát þegar þú opnar lokið því heit gufa kann að koma út.
- Sýndu mikla aðgát þegar börn, aldraðir eða gæludýr eru nálægt.
- Ef þú sérð feiti eða annað heitt efni leka úr tækinu á loka, slöngu eða stilli skaltu skrúfa tafarlaust fyrir gasið. Finndu orsökina, lagfærðu vandamálið og þrífðu síðan og skoðaðu lokann, slönguna og stillinn áður en lengra er haldið. Framkvæmdu lekapróf.
- Ekki geyma hluti eða efni í grind tækisins sem getur lokað fyrir loftflæði fyrir brunann að undirhlið annaðhvort stjórnborðsins eða eldhólfsskálarrinnar.
- EKKI aftengja eða skipta um gaskút í minna en 3m fjarlægð frá opnum eldi eða öðrum eldsupptökum.

## Skipti á kút

Setja má kút, sem er 6 kg eða léttari, á jörðina undir hliðarhillunni eða inn í grillið á tilætlaðan stað. Aðeins má setja stærri kúta undir hliðarhilluna eða á bak við grillið. Kútar, sem eru settir inn í grillið, mega að hámarki vera 345mm að þvermáli og 430mm að hæð. Kútar, sem eru settir á jörðina, mega ekki vera settir undir hitaplötuna.

## Kröfur fyrir stilli

Nota skal stilli með grillinu. Notaðu aðeins gasstillinn sem kemur með grillinu. Ef stillir, fylgir ekki með, að þá skaltu aðeins nota vottaðan stilli í samræmi við EN16129 (flæði að hámm. 1,6 kg/klst.), sem er leyfður í heimalandi þínu, gasið sem tilgreint er í tækniupplýsingunum.

## Kröfur fyrir slöngu

Notaðu aðeins viðurkennda slöngu, sem er vottuð fyrir viðeigandi EN staðal og er ekki lengri en 1,5m að lengd. Í Finnlandi má slöngulengdin ekki vera yfir 1,2m.

Fyrir hverja notkun skaltu athuga hvort slöngurnar eru skornar eða slitnar.

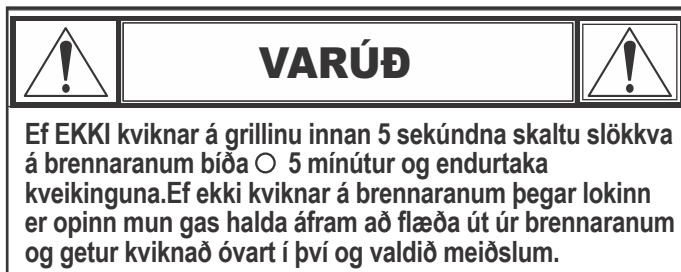
Gakktu úr skugga um að slangan hafi ekki beyglast. Gakktu úr skugga um að tengd slanga snerti ekki heitt yfirborð. Skiptu um skemmdar slöngur áður en grillið er notað. Skiptu um slönguna eftir innlendum reglum.

Grillið þarf að setja upp á öruggan hátt fyrir notkun.

## Gas íkveikju Leiðbeiningar - Kveiking

- Ekki halla þér yfir grillið þegar kveikt er upp í því.

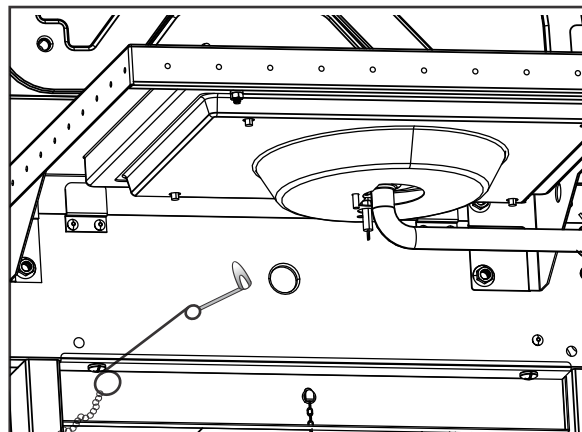
1. Snúðu stjórnlokum gasbrennarans í (af).
2. Opnaðu lokið við kveikingu og endurkveikingu.
3. Skrúfaðu FRÁ gasinu á LP kútum.
4. Til að kveikja, ýta og snúa Ignition brennari hnappinn ↗ til HIGH 🔊 . Strax, ýta og halda ELECTRONIC ignitor hnappinn til brennaranum ljósum.
5. Ef EKKI kviknar á grillinu innan 5 sekúndna skaltu slökkva á brennaranum ○, bíða í 5 mínútur og endurtaka kveikingu.
6. Til að kveikja á hinum brennurunum skaltu snúa hnúðinum ↘ stöðuna HÁTT og byrja á brennurunum sem eru næst KVEIKIBRENNARANUM ↗.



## Kveiking með eldspýtu

- Ekki halla þér yfir grillið þegar kveikt er upp í því.

1. Snúðu stjórnlokum gasbrennarans ○ (af).
2. Opnaðu lokið við kveikingu og endurkveikingu.
3. Skrúfaðu FRÁ gasinu á LP kútum.
4. Settu eldspýtuna í eldspýtuhalðarann (hangir á hliðarþili grillsins). Kveiktu á eldspýtunni; kveiktu síðan á brennaranum með því að setja eldspýtuna í gegnum eldspýtugatið á hliðinni á grillinu. Ýttu eldspýtunni strax inn og snúðu brennarahnúðinum ↘ stöðuna HÁTT. Gakktu úr skugga um að það kvikni á brennaranum og að hann logi áfram.
5. Kveiktu á nálægum brennurum í röð með því að ýta á hnúðana og snúa þeim ↘ stöðuna HÁTT.





**ATHUGAÐU: Það getur verið að grillið þitt sé EKKI með hitaplötu!**

### Kveikt á hitaplötu með kveikju

•Ekki halla þér yfir grillið þegar kveikt er upp í því.

1. Snúðu stjórnlokum gasbrennarans ○ (af).
2. Opnaðu lokið við kveikingu og endurkveikingu.
3. Skrúfaðu FRÁ gasinu á LP kútnum.
4. Snúðu hnúð hitaplötunnar í stöðuna HÁTT, ýttu og haltu inni

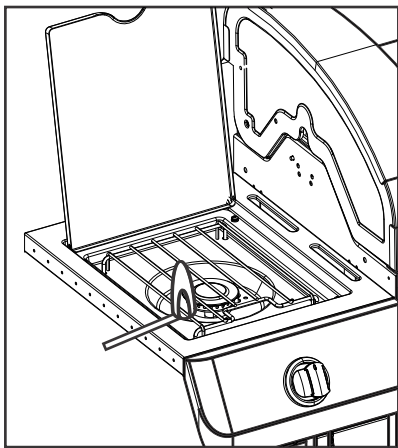
☝ Hnappur **RAFDRIFNU KVEIKJUNNAR**.

5. Ef EKKI kviknar á hitaplötunni innan 5 sekúndna skaltu snúa hnúðnum ○ (off), í (af), bíða í 5 mínútur og endurtaka svo uppkveikjuna. procedure.

### Kveikt á hitaplötu með eldspýtu

• Ekki halla þér yfir grillið þegar kveikt er upp í því.

1. Snúðu stjórnlokum gasbrennarans ○ (af).
2. Opnaðu lokið við kveikingu og endurkveikingu.
3. Skrúfaðu FRÁ gasinu á LP kútnum. Snúðu hnúði hitaplötunnar strax í Settu brennandi eldspýtu nærri brennarannum. ☝ stöðuna HÁTT Gakktu úr skugga um að það kvikni á brennarannum og að hann logi áfram.



### Lekapróf á lokum, slöngu og stilli

Framkvæmdu lekapróf fyrir fyrstu notkun, að minnsta kosti einu sinni á ári og í hvert sinn sem skipt er um gaskútinn eða hann aftengdur.

1. Snúðu öllum stjórnhnúðum grillsins á ○ .
2. Gakktu úr skugga um að stillirinn sé tengdur með þéttum hætti við kútinn.
3. Skrúfaðu frá gasinu. Ef þú heyrir lofthljóð skaltu skrúfa strax fyrir gasið. Tengingin lekur mikið. Lagfærðu áður en lengra er haldið.
4. Berðu sápulausn (blanda með helmingi sápu og helmingi vatni) á slöngutengingarnar.
5. Ef vaxandi bólur myndast er leki til staðar. Skrúfaðu strax fyrir gaskútinn og athugaðu þéttni tenginga. Ef ekki er hægt að stöðva lekann skaltu ekki reyna að gera við. Hringdu og pantaðu varahluti.
6. Skrúfaðu ávallt fyrir gaskútinn eftir lekapróf.

### EF EKKI KVEIKNAR Á GRILLINU

- Gakktu úr skugga um að skrúfað sé frá gaskútinum.
- Gakktu úr skugga um að gas sé í kútnum.
- Myndar kveikjan neistahljóð?  
Ef já, skaltu athuga neista við brennarann.  
Ef enginn neisti skaltu athuga hvort vírar séu skemmdir eða lausir.
- Ef vírar eru í LAGI skaltu athuga sprungin eða skemmd rafskaut, skiptu um ef þörf krefur.
- Ef vírar eða rafskaut eru hulin matarleifum skaltu þrifa odd rafskautsins með alkóhólþurrku ef þörf krefur.
- Ef þörf krefur skal skipta um víra.
- Ef ekkert hljóð heyrst skaltu athuga rafhlöðuna.
- Gakktu úr skugga um að rafhlaðan sé rétt sett í.
- Athugaðu lausar vírtengingar hjá einingunni og rofanum.
- Ef kveikjan virkar enn ekki skaltu nota eldspýtu.

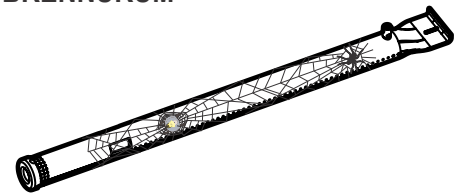


## VARÚÐ



### VIÐVÖRUN UM KÖNGULÆR!

#### KÖNGULÆR OG VEFIR INNAN Í BRENNURUM



Ef erfitt er að kveikja á grillinu eða ef logarnir eru veikir skaltu athuga og þrifa rennslisviðnámsop og brennara.

Köngulær eða lítil skordýr geta valdið „blossum“ með því að búa til hreiður og verpa eggjum í rennslisviðnámsop eða brennara grillsins sem hindra gasflæðið. Það getur kviknað í uppsafnaða gasinu á bak við stjórnborðið.



Blossarnir geta skemmt grillið og valdið meiðslum.

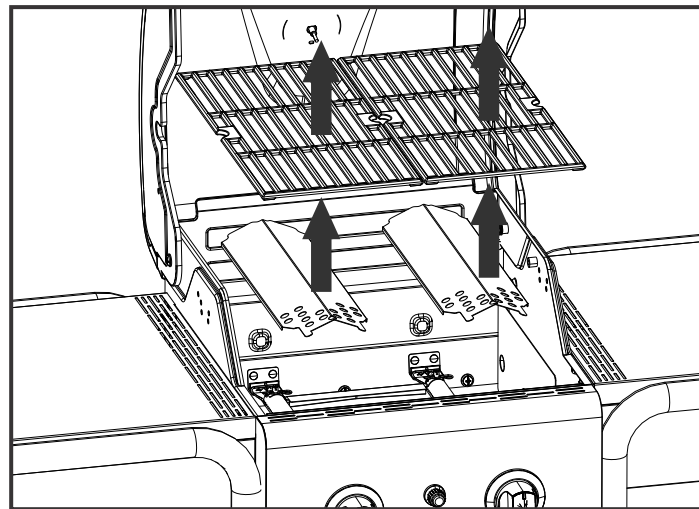
Til að koma í veg fyrir blossa og tryggja snurðulausa notkun ætti að fjarlægja brennarann og rennslisviðnámsrörin og þrifa þegar grillið hefur ekki verið notað um langan tíma.

## Leiðbeiningar fyrir uppkeikju með kolum

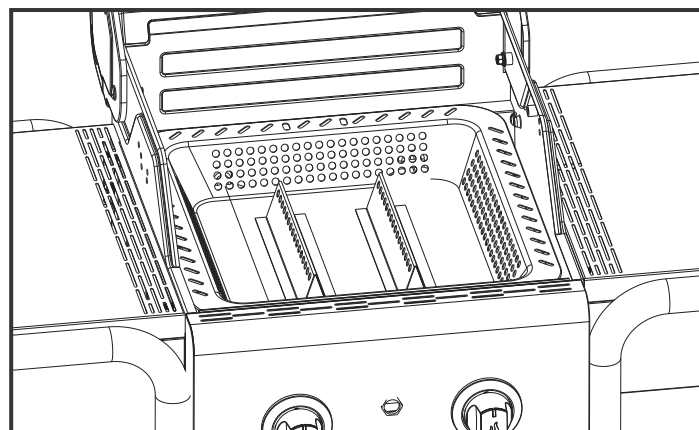
1. Þegar grillið er kalt skaltu fjarlægja grillristarnar.
2. Settu kolabakkann í grillið.
3. Settu einfalt lag af kolum í bakkann, 0.9 kg að hámarki.
4. Skiptu um grillristar..
5. Kveiktu á brennurunum með lokið opið með því að nota **leiðbeiningarnar fyrir uppkeikju með gasi.**
6. Stilltu gasbrennarana á Hátt  $\downarrow$  15 mínútur með lokið lokað.
7. Snúðu stjórnhnúðunum  $\circ$  (af).
8. Opnaðu lokið og bíddu í 5 mínútur þangað til kolin verða hvít áður en þú setur mat á.
9. Ekki elda áður eldsneyti hefur lag af ösku.

**ATH:** Grillið skal hitað upp og eldsneyti haldið rautt heitt í að minnsta kosti 30 mínútur áður en fyrsta elda þinn.



	<b>VIÐVÖRUN</b>	
<ul style="list-style-type: none"><li>• Ekki nota gasbrennarana í meira en 15 mínútur þegar þú notar kol.</li><li>• <b>VIÐVÖRUN!</b> Notið ekki spritt eða bensín til að kveikja eða viðhalda eldi! Notið aðeins grillkveikivökva sem uppfylla EN1860-3!</li><li>• Notaðu aldrei grillvökva, kerosín, bensín eða alkóhól til að kveikja upp í kolunum.</li><li>• Notaðu aldrei viðarstykki eða hraðkveikju í grillinu.</li><li>• Kveiktu <b>AÐEINS</b> í kolunum með kolabakkann á réttum stað í grillinu. Sjá mynd.</li><li>• Fjarlægðu kolabakkann úr eldhóflinu og settu í geymslu þegar þú notar aðeins gas á grillinu.</li><li>• Ekki nota gasbrennarann þegar kolabakkinn er í eldhóflinu án kola.</li></ul>		





Fjarlægja grillgrindur og Heat Tjöld



Rétt staðsetning á kolabakka

	<b>VIÐVÖRUN</b>	
<p><b>KOLEINOXÍÐHÆTTA</b> Það getur verið banvænt að brenna kol innandyra. Þau gefa frá sér koleinoxíð sem er lyktarlaust. Notaðu <b>ALDREI</b> kol innandyra, í ökutækjum eða tjöldum.</p>		

	<b>VIÐVÖRUN</b>	
<p>Þegar slökkt virðist hafa í kolaeldi geta óbrunnar eldglæður geymt hita í allt að 24 klukkustundir og ef þær komast í snertingu við ferskloft getur kviknað óvænt í þeim. Allar slíkar eldglæður utan við eldhólf grillsins skapa hættu á eldsvoða og geta kveikt í eldfimu yfirborði eins og viðarpöllum.</p>		

## Ráðleggingar fyrir þrif

- Það er nauðsynlegt að þrifa grillið eftir hverja notkun með kolum.
- Gakktu úr skugga um að alveg hafi slokknað í kolunum og að grillið hafi kólnað niður með fullnægjandi hætti áður en þrif eru framkvæmd.
- Fjarlægðu kolabakkann og þrifðu upp alla ösku.

**Athugaðu:** Eftir notkun getur kolabakkinn upplitast. Það er eðlilegt við notkun.

## Þrif á brennarsamstæðu

Fylgdu leiðbeiningunum til að þrifa og/eða skipta um hluta brennarsamstæðunnar eða ef þú átt í erfiðleikum með að kveikja á grillinu.

1. **Skrúfaðu fyrir gas með stjórnhnúðum og á LP kúti.**
2. Fjarlægðu grillristarnar og hitatjöldin.
3. Fjarlægðu aðfærslurörin og íhluti sem festa brennarana.
4. Taktu rafskautið af brennarum.

**ATHUGAÐU:** Aðferðin við hvernig brennararnir eru fjarlægðir/losaðir fer eftir gerð þeirra. Sjá mismunandi gerðir á myndunum að neðan.

5. Lyftu hverjum og einum brennara varlega í burtu frá lokaopunum. Við ráðleggjum þrjár leiðir til að þrifa brennararörin. Notaðu þá sem er auðveldust fyrir þig.

**A. Beygðu stífan vír (vírherðatré virkar vel) í lítinn krók. Stingdu króknum í gegnum öll brennararörin nokkrum sinnum.**



**B. Notaðu mjóan flöskubursta með sveigjanlegu handfangi (ekki nota messingvírur). Stingdu burstanum í gegnum öll brennararörin nokkrum sinnum.**

**C. Notaðu augnhlifar:** Notaðu loftslöngu til að þvinga loft inn í brennararörið og út um brennaraopin. Skoðaðu öll opin til að ganga úr skugga um að loft komi út um þau öll.

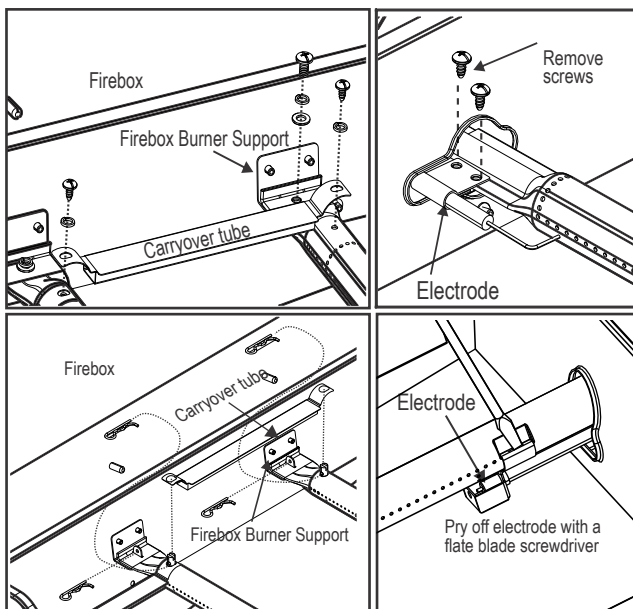
6. Virburstaðu allt ytra yfirborð brennarans til að fjarlægja matarleifar og óhreinindi.
7. Þrifðu stífluð op með stífum vír eins og opinni pappírsklemmu.
8. Athugaðu skemmdir á brennarum vegna eðlilegs slits og tæringar, það getur verið að sum opin hafi stækkað. Ef stórar sprungur eða göt finnast skal skipta um brennarann.

**MJÖG MIKILVÆGT: Brennararörin verða að tengjast lokaopunum. Sjá myndirnar til hægri.**

### Rétt tenging á brennara og loka



9. Festu rafskaut við brennara.
10. Skiptu varlega um brennarana.
11. Festu brennarana við festingarnar í eldhólfinu.
12. Settu aðfærslurörin aftur í og festu við brennarana. Skiptu um hitatjöldin og grillristarnar.
13. Áður en þú eldar aftur á grillinu skaltu framkvæma „lekapróf“ og „skoðun á loga brennara“.



## Geymsla á grillinu

- Þrifðu grillristar.
- Geymdu á þurrum stað.
- Þegar gaskútur er tengdur við grillið skal geyma það utandyra á vel loftrýmdu svæði og þar sem börn ná ekki til.
- Hyldu grillið ef það er geymt utandyra.
- Geymdu grillið AÐEINS innandyra ef skrúfað er fyrir gaskútinn og hann aftengdur, fjarlægður frá grillinu og geymdur utandyra.
- Þegar grillið er tekið úr geymslu skal athuga hindranir í brennurum.

## Almenn þrif á grillinu

- Þrifðu grillið oft, helst eftir hverja notkun. Ef stífur bursti er notaður til að þrifa eldunaryfirborð grillsins skal gæta þess að engar leifar úr burstanum standi eftir á eldunaryfirborðinu áður en grillað er. Ekki er ráðlagt að þrifa eldunaryfirborðið á heitu grilli. Þrifa ætti grillið að minnsta kosti einu sinni á ári.
- Ekki ruglast á brúnni eða svartri uppsöfnun á feiti og reyk fyrir málningu. Gasgrill eru ekki máluð að innan í verksmiðjunni (og ættu aldrei að vera máluð). Berðu á kraftmikla lausn af hreinsiefni og vatni eða notaðu grillhreinsi með skrubbursta innan á lok og botn grillsins.
- Skolaðu og láttu það þorna alveg. Ekki nota ætandi efni/ofnhreinsi á málað yfirborð.
- Plasthlutar: Þvoið með heitu sápuvatni og þurrkið.
- Ekki nota citrisól, hrjúf hreinsiefni, fituleysa eða óþynntan grillhreinsi á plasthluta. Það getur leitt til skemmda eða bilana á hlutum.
- Postulínsyfirborð: Vegna samsetningar, sem er eins og gler, er hægt að þurrka flestar leifar í burtu með matarsóða/vatnslausn eða sérgerðum hreinsiefnum. Notaðu hreinsiduft, sem ekki er hrjúft, fyrir erfiða bletti.
- Málað yfirborð: Þvoiðu með mildu hreinsiefni, sem ekki er hrjúft, og heitu sápuvatni. Þurrkaðu með mjúkum klút sem ekki er hrjúfur.
- Yfirborð úr ryðfri stáli: Til þess að grillið haldi vönduðu útliti sínu skal þvo það með mildu hreinsiefni og heitu sápuvatni og þurrka með mjúkum klút eftir hverja notkun.
- Það getur verið að nota verði hrjúfan plasthreinsipúða á leifar sem festu hafa við notkun. Notaðu aðeins í burstuðu áttina til að koma í veg fyrir skemmdir. Ekki nota hrjúfa púða á svæði með grafík.
- Eldunaryfirborð: Ef stífur bursti er notaður til að þrifa eldunaryfirborð grillsins skal gæta þess að engar leifar úr burstanum standi eftir á eldunaryfirborðinu áður en grillað er. Ekki er ráðlagt að þrifa eldunaryfirborðið á heitu grilli.

TÆKNILEGAR UPPLÝSINGAR  
CHAR-BROIL, GmbH

Heiti tækis	Gasgrill			
Málhitainntak í heild	8,2 kW (597 g/h)			
Gasflokkur	I3+(28-30/37)	I3B/P(30)	I3B/P(50)	
Módelnr.	468301221			468302221
Gasgerð	Bútan	Própan	Bútan, própan eða blöndur þeirra	Bútan, própan eða blöndur þeirra
Gasþrýstingur	28-30 mbar	37 mbar	28-30 mbar	50 mbar
Spísstærð (þv. mm)	Grill:1,04 x 2 stk.		Grill:1,04 x 2 stk.	Grill:0,92 x 2 stk.
Markaðslönd	GB, FR, BE, ES, IT, PT, CZ, SK, CH, CY, GR, IE, LT, LU, LV, SI	DK, NO, NL, SE, FI, IS, CZ, IT, SK, BG, CY, EE, HR, HU, LT, LU, LV, MT, RO, SI, TR	AT, DE, CH, LU, SK	
Rafmagn þörf	1.5VDC Rafhlaða			

## VIÐVÖRUN!

Flestar fleti á þessari einingu eru heita þegar þær eru notaðar. Notaðu mikla varúð. Haltu öðrum í burtu frá einingu.

Færðu ekki þessa einingu meðan á notkun stendur.

Setjið aldrei bensín, steinolú eða áfengi í byrjun kols. Í þessu tilfalli er hægt að skipta paraffín-undirstöðu ræsirubítum fyrir kola ræsir. Notið aldrei kola ræsir vökva með rafmagns ræsir.

Öll yfirborð getur verið heitt meðan á notkun stendur. Notið vörn eins og þörf er á til að koma í veg fyrir bruna.

Notið ekki þessa einingu á eða nálægt eldfimum fleti eða mannvirki eins og þilfarþilfari, þurrt lauf eða gras, vín eða tré, osfrv.

Eftir að kola eldur er slökkt, geta óseldar glóðir haldið hita í allt að 24 klukkustundir, og ef þær verða fyrir ferskum lofti getur það óvænt komið fyrir í loga. Slíkar úlfar utan eldavélinni á grillinu eru hættuleg eldsvoða og geta kveikt á eldfimum fleti eins og tréþilfar.

Ef ekki er farið að leiðbeiningum framleiðanda getur það leitt til alvarlegra slysa og / eða skemmda á eignum.

### KOLMÓNOXÍÐ HÆTTUR

Brennandi kol inni getur drepíð þig. Það gefur frá sér kolmónoxíð, sem hefur engin lykt. Aldrei brenna kol á heimilum, ökutækjum eða tjöldum.

**Ekki elda fyrr en eldsneyti er með lagaska.**

**VIÐVÖRUN! - þetta grillið verður mjög heitt, EKKI færa það meðan á aðgerð stendur.**

**Ekki nota innandyra.**

**VIÐVÖRUN! EKKI nota anda eða bensín til að lýsa eða endurljósá! Notaðu aðeins firelighters sem uppfylla EN 1860-3!**

**VIÐVÖRUN! Geymdu börn og gæludýr í burtu.**

BILUN TIL AÐ LESA OG FYLGJA LEIÐBEININGUM UM LÝSINGU KARABELLA GETUR LEITT TIL ALVARLEGRA PERSÓNULEGRA SKAÐA OG EIGNA SKAÐA.

NOTAÐU ALLTAF VARÚÐ ÞEGAR MEÐHÖNDLUN HEITT KOLA TIL AÐ KOMA Í VEG FYRIR SKAÐA.

LÁTTU ALLTAF ELDINN MEÐ HYLKINU OPNA.

## MONTÉR:

Tento návod nechte spotřebiteli.

## SPOTŘEBITEL:

Tento návod si uschovejte pro budoucí referenci.

## Otázky:

Pokud během sestavování nebo používání tohoto přístroje budete mít otázky, obraťte se na místního prodejce

!

## NEBEZPEČÍ

!

**Pokud ucítíte plyn:**

1. Vypněte přívod plynu do přístroje.
2. Uhasťte otevřený oheň.
3. Otevřete víko.
4. Pokud zápach trvá, nezdržujte se v blízkosti přístroje a ihned zavolejte dodavatele plynu nebo požární stanici.

!

## VAROVÁNÍ

!

1. V blízkosti tohoto nebo jiných přístrojů neskladujte ani nepoužívejte benzín nebo jiné hořlavé kapaliny.
2. V blízkosti tohoto nebo jiných přístrojů nepoužívejte plynový válec, který není připojený pro účely používání.

!

## UPOZORNĚNÍ

!

- Než se pokusíte přístroj sestavit a vařit na něm, přečtěte si a dodržujte všechny bezpečnostní pokyny, návod k sestavení a péči.
- Některé díly mohou mít ostré hrany. Doporučujeme používání ochranných rukavic..

**Hořící tuk**

- Hořící tuk není možné uhasit zavřením víka. Grily jsou z bezpečnostních důvodů řádně větrané.
- K hašení hořícího tuku nepoužívejte vodu. Hrozí riziko poranění osob. Pokud dojde k trvalému hoření tuku, vypněte knoflíky a plynový válec.
- Pokud přístroj pravidelně nečistíte, může dojít ke vzplanutí tuku, které může výrobek poškodit. Při předehřívání nebo vypalování zbytků potravin buďte opatrní, aby nedošlo k hoření tuku. Pro zabránění požáru tuku dodržujte pokyny k obecnému čištění přístrojů a čištění sestavy hořáku. Nejlepším způsobem zabránění požáru tuku je pravidelné čištění přístroje.
- Při předehřívání nebo spalování zbytků potravin z grilu nenechávejte gril bez dozoru. Pokud gril pravidelně nečistíte, může nastat spalování tuku, které může poškodit výrobek.

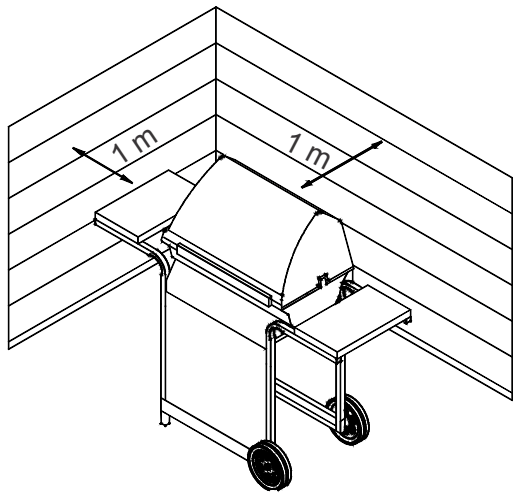
!

## VAROVÁNÍ

!

**Pokyny k bezpečnému používání přístroje a prevenci vážného poranění:**

- **POUŽÍVEJTE POUZE VENKU. NIKDY NEPOUŽÍVEJTE VE VNITŘÍ.** Než začnete přístroj používat, přečtěte si tyto pokyny. Vždy je dodržujte.
- Během používání přístrojem nepohybujte.
- Přístupné díly mohou být velmi horké. Udržujte mimo dosah dětí. Nenechte děti pohybovat se nebo hrát si v blízkosti přístroje.
- Po použití vypněte zásobení válce plynem.
- Tento přístroj musí být během používání uchovávan mimo hořlavé materiály.
- Neblokujte otvory po stranách nebo na zadní stěně přístroje.
- ChPravidelně kontrolujte plameny hořáku.
- Neblokujte Venturiho trubice na hořáku.
- Přístroj používejte pouze v řádně větraném prostoru. NIKDY nepoužívejte v uzavřeném prostoru, jako je přístřešek pro auto, garáž, přístřešek, uzavřená terasa nebo pod stropní strukturou jakéhokoli druhu.
- **NEPŘEKRÝVEJTE** mřížky alobalem ani jiným materiálem. Došlo by tím k zablokování větrání hořáku a vzniku potenciálně nebezpečného stavu vedoucího k poškození majetku nebo poranění osob.
- **Přístroj používejte nejméně ve vzdálenosti 1 metro od jakékoli stěny nebo povrchu.**
- MaiŮ Udržujte vzdálenost 3 m od objektů, které mohou zachytit plamen, nebo od zdrojů vznícení, jako jsou pilotní kontrolky na ohřivačích vody, živé elektrické přístroje atd.



- NIKDY se nepokoušejte zažehnout hořák, když je zavřené víko. Nahromadění nevznětlivého plynu uvnitř zavřeného přístroje je nebezpečné.
- Před přemístěním plynového válce z dané provozní polohy vždy vypněte plyn na válci a odpojte regulátor.
- Přístroj nikdy neprovozujte s plynovým válcem mimo správnou pozici.
- Přístroj nemodifikujte. Jakákoli modifikace je přísně zakázána. Uživatel nesmí manipulovat s utěsněnými díly. Nedemontujte vstřikovače.

## Bezpečnostní tipy

- Před otevřením plynového válce zkontrolujte těsnost regulátoru.
- Když přístroj nepoužíváte, vypněte všechny kontrolky a plyn.
- Používejte grilovací příslušenství s dlouhou rukojetí a chňapky, abyste se vyhnuli popáleninám a postříkání horkým tukem. Při manipulaci s horkými součástmi používejte ochranné rukavice.
- Maximální zatížení plotýnky a postranního regálu je 4,5 kg. Minimální průměr varné nádoby je 200 mm a maximální 260 mm.
- Pokud je k dispozici kelímek na tuk, musí být vložen do přístroje a po každém použití vyprázdněn. Kelímek na tuk nevyjímejte, dokud přístroj zcela nevychladne.
- Při otvírání víka buďte velmi opatrní, protože může dojít k úniku horké páry.
- Pokud jsou v blízkosti děti, starší osoby nebo domácí zvířata, buďte velmi opatrní.
- Pokud si všimnete, že z přístroje kape tuk nebo jiný horký materiál na ventil, hadici nebo regulátor, vypněte ihned dodávku plynu. Určete příčinu, opravte ji a potom vyčistěte a zkontrolujte ventil, hadici a regulátor. Teprve potom pokračujte. Proveďte test na únik.
- Neuchovávejte objekty ani jiné materiály uvnitř krytu vozíku přístroje. Tím by došlo k zablokování průtoku spalovaného vzduchu do spodní strany ovládacího panelu nebo misky plamenice.
- NEODPOJUJTE ani nevyměňujte plynový kontejner ve vzdálenosti do 3 metrů od otevřeného ohně nebo jiného zdroje vznícení.

## Umístění válce

Válec o hmotnosti 6 nebo méně kg může být položen na zem pod bočním regálem nebo do vyhrazeného prostoru uvnitř přístroje. Větší válec je nutné umístit pod boční regál nebo za gril. Válec umístěný do přístroje smí mít maximální průměr 345 mm a maximální výšku 430 mm. Válec umístěný na zemi nesmí být pod plotýnkou.

## Požadavky na regulátor

S tímto přístrojem je nutné používat regulátor. Používejte pouze plynový regulátor dodaný s grilem. Pokud regulátor není součástí dodávky, používejte pouze regulátor certifikovaný podle normy EN16129 (maximální rychlost průtoku 1,5 kg/h) a schválený jako regulátor pro vaši zemi a plyn specifikovaný v části Technické údaje.

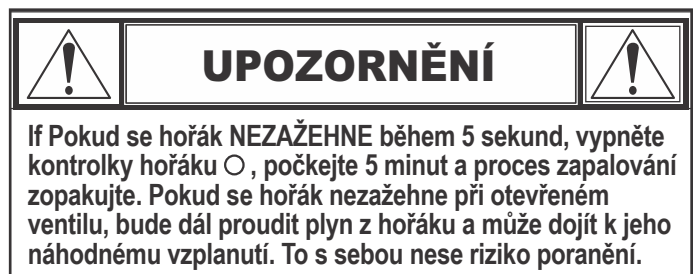
## Požadavky na hadici

Používejte pouze schválenou hadici certifikovanou podle příslušné normy EN, jejíž délka nepřekračuje 1,5 m. Ve Finsku nesmí být hadice delší než 1,2 m. Před každým použitím zkontrolujte, zda nejsou hadice uříznuté nebo opotřebované. Zkontrolujte, zda není hadice ohnutá. Zajistěte, aby se spojená hadice nedotýkala žádných teplých povrchů. Před použitím přístroje vyřadte poškozené hadice. Hadici vyměňujte v souladu s místními požadavky.

Gril musí být před použitím nainstalován na bezpečné podložce.

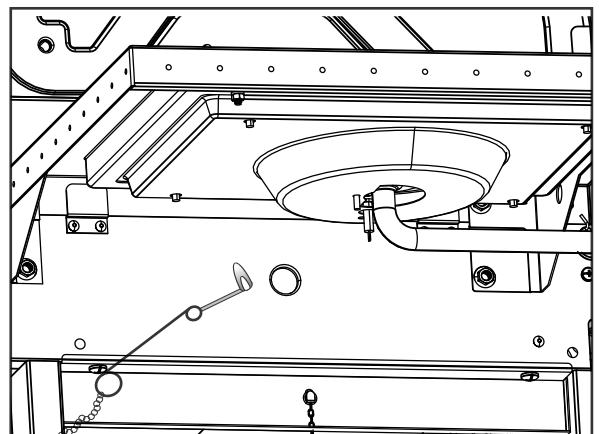
## Pokyny plyn zapalování - Zapálení podpalovače

- Při zapalování se nenaklánějte nad gril.
1. Otočte ventily ovládání plynového hořáku do polohy ○ (vypnuto).
  2. Během zapalování nebo opětovného zapalování otevřete víko.
  3. Zapněte plyn na válci LP.
  4. Chcete-li zapálit, stiskněte a otočte knoflík zapalování hořáku ⚡ na HIGH 🔻. Okamžitě stiskněte a podržte tlačítko ELECTRONIC Zapalovač, dokud světlá hořáku.
  5. Pokud se hořák NEZAŽEHNE během 5 sekund, vypněte kontrolky hořáku ○, počkejte 5 minut a proces zapalování zopakujte.
  6. Při zapalování zbývajících hořáků otočte knoflík do polohy 🔻 (VYSOKÁ). Začněte hořáky nejbližší knoflíku pro ZAPÁLENÍ HOŘÁKU ⚡.



## Použití zápalek

- Při zapalování se nenaklánějte nad gril.
1. Otočte ventily ovládání plynového hořáku do polohy ○ (vypnuto).
  2. Během zapalování nebo opětovného zapalování otevřete víko.
  3. Zapněte plyn na válci LP.
  4. Zápalky položte na držák (na boční straně grilu). Škrtněte zápalkou a potom zažehněte hořák vložením zápalky do otvoru na zápalku na boční straně grilu. Ihned otočte knoflík hořáku do polohy 🔻 VYSOKÁ. Ujistěte se, že se hořák zapálil a zůstal zapálený.
  5. Postupně zapalujte sousedící hořáky stisknutím tlačítek a otočením do polohy 🔻 VYSOKÁ.



## POZNÁMKA: Gril NEMUSÍ být vybaven plotýnkou

### Zažehnutí podpalovače plotýnky

#### Hot plate Ignitor Lighting

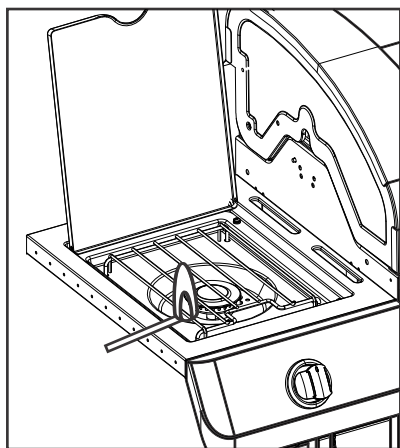
##### • Při zapalování se nenaklánějte nad gril.

1. Otočte ventily ovládání plynového hořáku do polohy ○ (vypnuto).
2. Během zapalování nebo opětovného zapalování otevřete víko.
3. Zapněte plyn na válci LP.
4. Otočte knoflík plotýnky do polohy 🔥 VYSOKÁ, zatlačte a podržte tlačítko **ELECTRONIC IGNITOR** (elektronický zapalovač).
5. Pokud se plotýnka NEZAŽEHNE do 5 sekund, otočte knoflík do vypnuté ○ polohy, počkejte 5 minut a zopakujte postup zapalování.

### Zažehnutí plotýnky zápalkou

##### • Při zapalování se nenaklánějte nad gril.

1. Otočte ventily ovládání plynového hořáku do polohy ○ (vypnuto).
2. Během zapalování nebo opětovného zapalování otevřete víko.
3. Zapněte plyn na válci LP.
4. Přiložte zapálenou zápalku k hořáku. Ihned otočte knoflík plotýnky do polohy 🔥 VYSOKÁ. Ujistěte se, že se hořák zapálil a zůstal zapálený. and stays lit.



### Testování ventilů, hadice a regulátoru na únik plynu

Test úniku provádějte před prvním použitím, nejméně jednou ročně a při každé výměně nebo odpojování válce.

1. Přesuňte všechny ovládací knoflíky na přístroji do polohy ○ .
2. Ujistěte se, že je regulátor těsně připevněn k plynovému válci.
3. Zapněte plyn. Pokud uslyšíte syčivý zvuk, ihned plyn vypněte. Ve spoji dochází k zásadnímu úniku. Než budete pokračovat, závadu opravte.
4. Očistěte spoje hadiček kartáčkem s mýdlovým roztokem (směs vody a mýdlového roztoku v poměru 1:1).
5. Pokud se objeví narůstající počet bublin, dochází k úniku. Ihned vypněte plyn ve válci a zkontrolujte těsnost spojů. Pokud únik nelze zastavit, nepokoušejte se o opravu. Vyžádejte si náhradní díly.
6. Po provedení testu úniku vždy vypněte plyn ve válci.

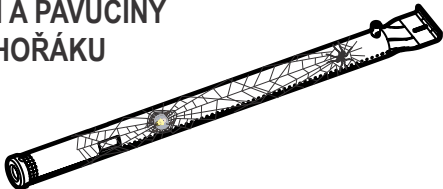
## POKUD NENÍ MOŽNÉ ZAPÁLIT PLYN

- Ujistěte se, že je ve válci zapnutý přívod plynu.
- Ujistěte se, že je ve válci plyn.
- Ozývá se ze zapalovače zvuk jiskření?  
Pokud ano, zkontrolujte, zda jsou jiskry u hořáku.  
Pokud ne, zkontrolujte, zda nejsou poškozené nebo uvolněné dráty.
- Pokud jsou dráty v pořádku, zkontrolujte, zda není prasklá nebo zlomená elektroda a v případě potřeby ji vyměňte.
- Pokud jsou na drátech nebo elektrodách zbytky po vaření, vyčistěte v případě potřeby hrot elektrody ubrouskem namočeným v alkoholu.
- Pokud to bude potřeba, vyměňte dráty.
- Pokud se neozývá žádný zvuk, zkontrolujte baterii.
- Ověřte, zda je baterie správně vložená.
- Zkontrolujte, zda nejsou uvolněné spoje drátů v modulu a spínači.
- Pokud zapalovač stále nefunguje, použijte zápalky.

## UPOZORNĚNÍ

### NA PAVOUKY!

**PAVOUCI A PAVUČINY  
UVNITŘ HOŘÁKU**



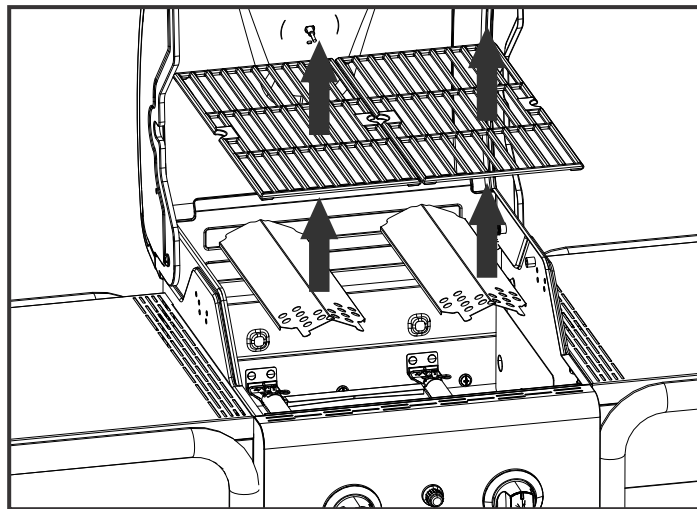
Pokud se vám gril neschází zapalovat nebo je slabý plamen, zkontrolujte a vyčistěte Venturiho trubice a hořáky.

Je známo, že pavouci nebo malý hmyz způsobují problémy se „zpětným výšlehem plamene,“ protože si budují hnízda a nechávají vajíčka ve Venturiho trubici nebo hořácích a blokují tak průtok plynu. Nahromaděný plyn může za ovládacím panelem vzplanout. Tento zpětný výšleh plamene může gril poškodit a způsobit poranění. Pro zabránění zpětného výšlehu plamene a zajištění správného výkonu je vhodné vyjmout sestavení hořáku a Venturiho trubice a vyčistit je pokaždé, když byl gril delší dobu v nečinnosti.

## Pokyny k zapalování briket

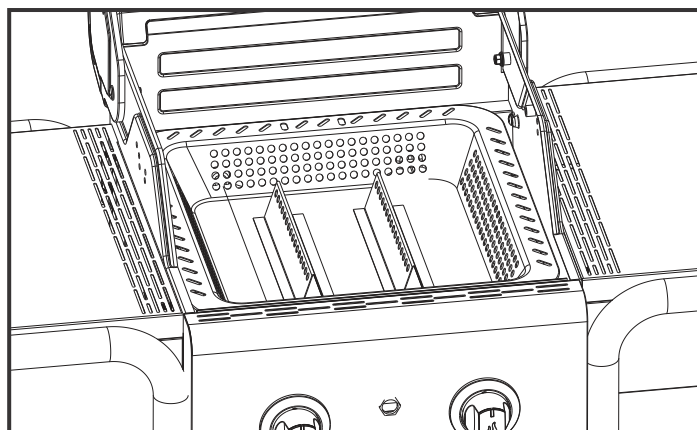
1. Z vychlazeného grilu odeberte rošt.
2. Umístěte na gril zásobník na brikety.
3. Na zásobník naneste jednu vrstvu briket, maximálně 0.9 kg.
4. Vyměňte grilovací rošt.
5. S otevřeným víkem zapalte hořáky na základě pokynů k zapálení plynu.
6. Hořáky nechte hořet v poloze **VYSOKÁ** po dobu 15 minut se zavřeným víkem.
7. Otočte ovládací knoflíky do polohy **O** (vypnuto).
8. Otevřete víko a počkejte 5 minut nebo do doby, kdy brikety zbělají. Teprve potom přidejte potraviny.
9. Nevařte dříve, než palivo má povlak z popela.

**POZNÁMKA:** Barbecue třeba zahřát a palivo udržuje red hot po dobu alespoň 30 minut před vaší první kuchaře.



Odstraňte vaření rošty a tepla Stany

	<b>VAROVÁNÍ</b>	
<ul style="list-style-type: none"><li>• Pokud používáte brikety, nenechte plynové hořáky zapnuté déle než 15 minut.</li><li>• <b>POZOR!</b> K rozpálení nepoužívejte líh ani benzin. Používejte pouze podpalovače, které splňují normu EN1860-3!</li><li>• K zapálení briket nikdy nepoužívejte podpalovací kapalinu, petrolej, benzín ani alkohol.</li><li>• Na grilu nikdy nepoužívejte kusy dřeva nebo instantní světlo.</li><li>• Brikety používejte, <b>POUZE</b> pokud je zásobník na brikety správně vložen v plamenici. Viz obrázek.</li><li>• Pokud používáte pouze plynový gril, vyjměte zásobník na brikety z plamenice a uskladněte ho.</li><li>• Neprovozujte plynový hořák, když je v plamenici vložen zásobník na brikety bez briket.</li></ul>		



Správné umístění zásobníku na brikety

	<b>VAROVÁNÍ</b>	
<p><b>RIZIKO VZNIKU OXIDU UHELNATÉHO</b> Hořící brikety ve vnitřních prostorách vás mohou zabít. Vylučují oxid uhelnatý, který je bez zápachu <b>NIKDY</b> nespalujte brikety uvnitř domácností, vozidel nebo stanů.</p>		

	<b>VAROVÁNÍ</b>	
<p>Jakmile se brikety zdají vyhořelé, mohou uhlíky doutnat ještě 24 hodin a na čerstvém vzduchu mohou nečekaně vzplanout. Takové uhlíky mimo plamenici grilu představují riziko vzniku požáru a mohou zažehnout hořlavé povrchy jako dřevěné desky.</p>		

## Doporučené čištění

- Gril vyčistěte po každé, když na něm použijete brikety.
- Před čištěním se ujistěte, že je uhlí zcela spálené a jednotka zcela vychladla.
- Vyjměte zásobník na brikety a vysypte všechnen popel.

**Poznámka:** Po použití může zásobník na brikety ztratit barvu. To je běžné v době používání.



## Čištění sestavy hořáku

Podle následujících pokynů vyčistíte nebo vyměňte díly sestavy hořáku. Tento postup proveďte také v případě, že máte problém se zažehnutím plamene.

### 1. Vypněte plyn na ovládacích knoflících a válci LP.

2. Sundejte grilovací mřížky a tepelné stany.
3. Sundejte propouštěcí trubky a prvky zajišťující hořáky.
4. Odpojte z hořáku elektrodu.

**POZNÁMKA:** Způsob demontáže závisí na konfiguraci hořáku. Viz různé konfigurace na následujících obrázcích.

5. Opatrně zažehněte jednotlivé hořáky směrem nahoru a mimo otvory ventilů. Trubky hořáku doporučujeme čistit jedním ze tří způsobů. Vyberte si ten, který považujete za nejjednodušší.

**A. Vytvarujte pevný drát (vhodné je třeba drátěné ramínko na šaty) do malého háčku. Několikrát háček protáhněte jednotlivými trubicemi hořáku.**



**B. Použijte tenký kartáček na láhve s pružnou rukojetí (nepoužívejte mosazný drátový kartáč). Několikrát kartáček protáhněte jednotlivými trubicemi hořáku.**

**C. Používejte ochranu očí: Vzduchovou hadicí foukejte vzduch do trubice hořáku a ven z otvorů hořáku.**

Zkontrolujte u každého otvoru, zda vychází vzduch ven.

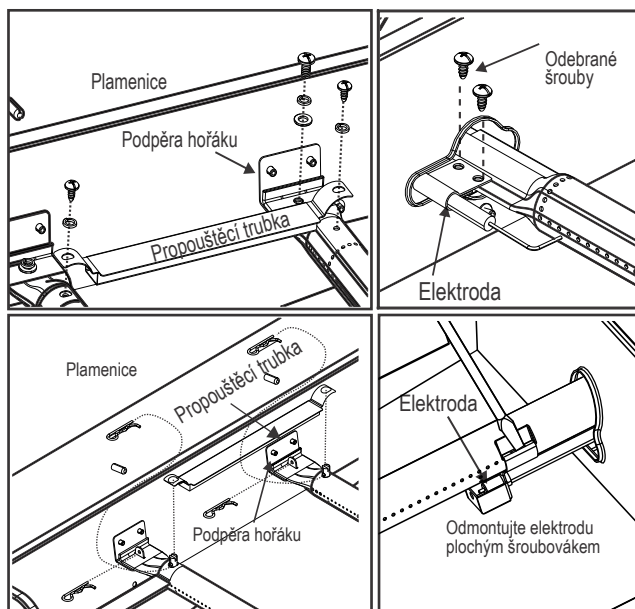
6. Drátěným kartáčkem otřete celý vnější povrch hořáku k odstranění zbytků jídla a nečistot.
7. Jakékoli zablokované otvory vyčistíte pevným drátem, například rozevřenou svorkou na papír.
8. Zkontrolujte, zda není hořák poškozený v důsledku běžného opotřebení a koroze. Některé otvory mohou být zvětšené. Pokud najdete velké praskliny nebo díry, hořák vyměňte.

**VELMI DŮLEŽITÉ: Trubice hořáku musí znovu zapadnout do otvorů ventilů. Viz obrázek napravo.**

**Správné zapojení hořáku k ventilu**



9. Připojte k hořáku elektrodu.
10. Opatrně nasadte hořáky.
11. Připojte hořáky ke konzolám na plamenici.
12. Znovu nasadte propouštěcí trubky a připojte je k hořákům. Nasadte zpět tepelné stany a grilovací mřížky.
13. Před dalším použitím grilu proveďte test úniku a kontrolu plamene hořáku.



## Skladování přístroje

- Vyčistěte grilovací mřížky.
- Uchovejte je na suchém místě.
- Když je k přístroji připojen plynový válec, uchovávejte jej venku v řádně větraném prostoru a mimo dosah dětí.
- Pokud přístroj uchováváte venku, přikryjte ho.
- Přístroj uchovávejte uvnitř, POUZE pokud je plynový válec vypnutý a odpojený, vyjmutý z přístroje a uchovávaný venku.
- Při vyjímání přístroje z úložného prostoru zkontrolujte, zda nejsou hořáky blokovány.

## Obecné postupy při čištění

- Přístroj často čistěte, ideálně po každém použití. Pokud k čištění jakéhokoli varného povrchu přístroje používáte štětinový kartáček, ověřte, zda na povrchu nezůstaly nějaké štětiny. Teprve potom zahajte grilování. Nedoporučujeme čistit varný povrch, když je přístroj horký. Přístroj je nutné čistit nejméně jednou ročně.
- Dejte pozor, abyste nezaměnili hnědý nebo černý nános tuku a kouře za lak. Vnitřní stěny plynových grilů nejsou z výroby nalakované (a není vhodné je lakovat). Na čištění vnitřní a spodní strany přístroje použijte silný roztok mycího prostředku a vody nebo čistič na přístroje a kartáček. Opláchněte a nechte uschnout na vzduchu. Na lakované plochy nepoužívejte žíravé přípravky ani čističe trouby.
- Plastové díly: Omyjte teplou mýdlovou vodou a osušte.
  - Na plastové díly nepoužívejte citrisol, abrazivní čisticí prostředky, odmašťovače nebo koncentrované čisticí prostředky. Mohlo by dojít k poškození těchto dílů a jejich závadě.
- Porcelánové plochy: Většinu usazenin tvoří tukové složky, takže je lze otřít roztokem jedlé sody s vodou nebo speciálně složeným čisticím přípravkem. Na odolné skvrny používejte neabrazivní prášek.
- Lakované plochy: Umyjte mírným roztokem nebo neabrazivním čisticím prostředkem a teplou mýdlovou vodou. Utřete do sucha suchým neabrazivním hadříkem.
- Plochy z nerezové oceli: Pro zachování kvalitního vzhledu přístroje doporučujeme umývat ho mírným roztokem čisticího prostředku a teplé mýdlové vody a utřít dosucha jemným hadříkem po každém použití. Spečený tuk může vyžadovat použití abrazivní plastové čisticí utěrky. Používejte pouze ve směru brusného povrchu, aby nedošlo k poškození. Abrazivní utěrku nepoužívejte na oblastech s obrázkem.
- Varné plochy: Pokud k čištění jakéhokoli varného povrchu přístroje používáte štětinový kartáček, ověřte, zda na povrchu nezůstaly nějaké štětiny. Teprve potom zahajte grilování. Nedoporučujeme čistit varný povrch, když je přístroj horký.

**TECHNICKÉ ÚDAJE  
CHAR-BROIL, GmbH**

Název přístroje	Plynový gril			
Celkový nominální teplotní vstup	8,2 kW (597 g/h)			
Kategorie plynu	I3+(28-30/37)	I3B/P(30)	I3B/P(50)	
Č. modelu	468301221			468302221
Typ plynu	Butan	Propan	Butan, propan nebo jejich směsi	Butan, propan nebo jejich směsi
Tlak plynu	28-30 mbar	37 mbar	28-30 mbar	50 mbar
Velikost vstřikovače (průměr mm)	Rošt: 1,04 x 2 ks		Rošt: 1,04 x 2 ks	Rošt: 0,92 x 2 ks
Určeno pro země:	GB, FR, BE, ES, IT, PT, CZ, SK, CH, CY, GR, IE, LT, LU, LV, SI	DK, NO, NL, SE, FI, IS, CZ, IT, SK, BG, CY, EE, HR, HU, LT, LU, LV, MT, RO, SI, TR	AT, DE, CH, LU, SK	

## VAROVÁNÍ!

Většina povrchů této jednotky je při používání horkých. Dbejte velmi zvýšené opatrnosti. Dbejte na to, aby se ostatní osoby držely dál od jednotky. Abyste předešli zraněním, používejte vždy ochranný oděv.

Během provozu jednotku nepřesunujte.

Místo startéru na dřevěné uhlí nepoužívejte nikdy benzín, petrolej ani alkohol. V takovém případě lze startér na dřevěné uhlí nahradit podpalovacími přípravky na bázi parafínu. Nikdy nepoužívejte zapalovací kapalinu v kombinaci s elektrickým startérem.

Nedodržení kterýchkoli pokynů výrobce může vést k vážnému zranění osob nebo poškození majetku.

Během používání mohou být všechny povrchy horké. Používejte dle potřeby ochranné pomůcky, abyste předešli popáleninám. Nepoužívejte tuto jednotku na hořlavých površích nebo konstrukcích ani v jejich blízkosti: například na dřevěných deskách, suchém listí nebo trávě, v blízkosti dřevěného nebo vinylového obložení apod.

I když se vám zdá, že oheň z dřevěného uhlí již vyhasl, nespálené uhlíky mohou zůstat teplé až 24 hodin a při vystavení čerstvému vzduchu se mohou neočekávaně vznítit. Pokud se takové uhlíky dostanou mimo topeniště grilu, představují nebezpečí vzniku požáru a mohou způsobit vznícení hořlavých povrchů, jako jsou například dřevěné desky.

### NEBEZPEČÍ OXIDU UHELNATÉHO

Spalování dřevěného uhlí uvnitř zařízení může způsobit smrt. Produkuje oxid uhelnatý, který je bez zápachu. NIKDY nespalujte dřevěné uhlí v domácnosti, ve vozidle ani ve stanu.

Nevarujte předtím, než má palivo popel.

**VAROVÁNÍ!** - tento gril bude velmi horký, NEPOUŽÍVEJTE jej během provozu.

Nepoužívejte uvnitř.

**VAROVÁNÍ!** Nepoužívejte benzín ani benzín k osvětlení nebo opětovnému osvětlení! Používejte pouze střelné zbraně podle EN 1860-3!

**VAROVÁNÍ!** Držte děti a domácí zvířata mimo dosah.

## מתקין/מרכיב:

השאר את המדריך אצל הלקוח.

## לקוח:

שמור את המדריך על מנת לעיין בו בעתיד.

## שאלות:

אם יש לך שאלות במהלך ההרכבה או השימוש במכשיר צור קשר עם הסוכן המקומי שלך.

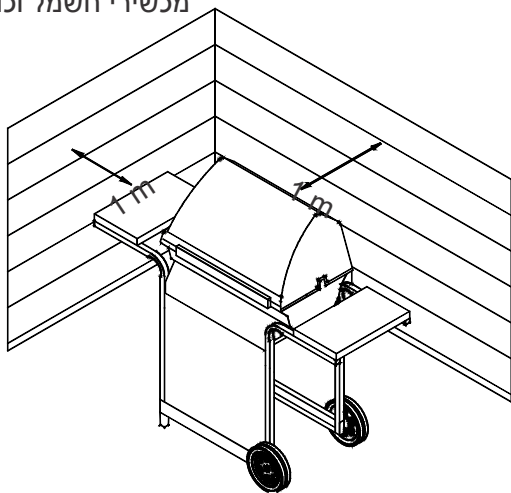
## אזהרה

### לשימוש בטוח במכשיר שלך וכדי להימנע

#### מפגיעות חמורות:

• השתמש בחוץ בלבד. אין להשתמש במקומות סגורים.  
קרא את ההנחיות לפני השימוש במכשיר. יש לפעול תמיד לפי ההנחיות הללו.

- אין להזיז את המכשיר במהלך השימוש יש להרחיק. חלקים נגישים עלולים להיות חמים מאוד אין לאפשר לילדים להשתמש או לשחק בקרבת ילדים המכשיר.
- יש לכבות את אספקת הגז בצינור לאחר השימוש יש לשמור את המכשיר הרחק מחומרים דליקים במהלך השימוש.
- אין לחסום את החורים בצדי המכשיר או בחלקו האחורי יש לבדוק את להבות המבער באופן קבוע אין לחסום את פתחי הוונטורי במבער אין להשתמש במכשיר רק במקום מאוורר היטב מרפסת, מוסך, להשתמש בחללים סגורים כמו חניון פטיו סגור או תחת מבנה מכוסה מכל סוג.
- אין להשתמש בפחם או בלבנים קרמיות במכשיר גז.
- אין לכסות את הרשתות בנייר אלומיניום או בכל חומר אחר. זה יחסום את אוורור המבער ועלול לגרום למצב מסוכן שיוביל לנזק לרכוש ו/או לפגיעה.
- יש להשתמש במכשיר במרחק של 1 מ' לפחות מקיר או משטח כלשהו.
- יש לשמור על מרחק של 3 מ' מחפצים שעלולים להתלקח או מקורות הצתה כמו מצתים במיחמי מים, מכשירי חשמל וכו'.



- אין להצית את המבער כאשר המכסה סגור. הצטברות גז לא מוצת במכשיר סגור היא מסוכנת.
- יש לכבות תמיד את הגז בבלון ולנתק את הווסת לפני העברת בלון הגז ממצב הפעלה מסוים.
- אין להשתמש במכשיר כאשר בלון הגז אינו ממוקם במקום המתאים.
- אין לשנות את המכשיר. כל שינוי הוא אסור בהחלט. אין לפרק אסור למשתמש לתקן חלקים אטומים. אין לפרק מזרקים.

## DANGER

### אם אתה מריח גז:

1. סגור את אספקת הגז למכשיר.
2. כבה להבות חשופות.
3. פתח את המכסה.
4. אם הריח נמשך, התרחק מהמכשיר וצור קשר עם ספק הגז שלך או עם מכבי האש באופן מיידי.

## אזהרה

1. אין לאחסן או להשתמש בדלק או בנוזלים דליקים אחרים בסמוך למכשיר זה או כל מכשיר אחר.
2. אין לאחסן צינור גז שאינו מחובר בסמוך למכשיר זה או כל מכשיר אחר.

## זהירות

- קרא ופעל בהתאם לכל הזהרות הבטיחות, הוראות ההרכבה, והנחיות השימוש והטיפול לפני ההרכבה והבישול.
- חלקים מסוימים עלולים להכיל קצוות חדים. מומלץ ללבוש כפפות מגן.

### שריפות שמן

- לא ניתן לכבות שריפות שמן על ידי סגירת המכסה. הגריל מאוורר היטב לצורכי בטיחות.
- סורגל לזלע הז, נמש תופירש לע סימב שמתשהל ויא בבוס, תכשוממ נמש תפירש תשחרתמ סא. תועיצפל ..זגה וולב תא רוגסו תוידיה תא
- אם המכשיר לא עובר ניקוי באופן קבוע, עלולה לפרוץ שריפת שמן שתפגע במוצר. שים לב בעת חימום מראש או שריפה של שאריות מזון שלא פורצת שריפת שמן. עקוב אחר ההנחיות לניקוי המכשיר ולניקוי רכיב המבער על מנת למנוע שריפות שמן. הדרך הטובה ביותר למנוע שריפות שמן היא באמצעות ניקוי תכוף של המכשיר..
- פומיח ומזב החגשה אלל לירגה תא ריאשהל ויא אל לירגה סא HI-b-ווזמ תוראש תופירש וא שארמ נמש תפירש פורפל הלולע, עובק נפואב ויקינ רבוע רצומב עגפתש

## עצות בטיחותהוראות גז הצתה

- לפני פתיחת שסתום הגז בבלון, וודא שהווסת מהודק.
- כאשר המכשיר אינו בשימוש, כבה את כל הידיות והגז.
- השתמש בכלי גריל בעלי ידית ארוכה ובכפפות לתנור כדי להימנע מכוויות ונתזים. השתמש בכפפות מגן בעת מגע עם רכיבים חמים.
- המשא המקסימלי לפלטה החמה, אם יש, ולמדף הצדדי הוא 4.5 ק"ג. קוטר כלי הבישול המינימלי הוא 200 מ"מ, והמקסימלי הוא 260 מ"מ.
- הכנס את כוס השמן (אם יש) למכשיר ורוקן אותה לאחר כל שימוש. אין להסיר את כוס השמן עד שהמכשיר התקרר לחלוטין.
- היזהר בעת פתיחת המכסה, עלולים לצאת אדים חמים.
- היזהר בסביבת ילדים, קשישים או חיות מחמד.
- אם אתה מבחין בנזילה של שמן או חומרים חמים אחרים מהמכשיר על שסתום, צינור או ווסת, כבה את אספקת הגז באופן מיידי. מצא את המקור, תקן אותו, ואז נקה ובדוק את השסתום, הצינור והווסת לפני שתמשיך. בצע בדיקת דליפות.
- אין לאחסן חפצים או חומרים בתוך כיסוי עגלת המכשיר שעלולים לחסום את הזרימה של אוויר השריפה לחלק התחתון של לוח הבקרה או של קערת הבעירה.
- אין לנתק או לשנות את מיכל הגז במרחק של 3 מ' מלהבה. חשופה או מקור הצתה אחר.

### מיקום הבלון

ניתן להניח בלון של 6 ק"ג או פחות על הקרקע מתחת למדף הצדדי או בתוך המכשיר במקום המיועד לכך. בלונים גדולים יותר יש להניח מתחת למדף הצדדי או מאחורי הגריל בלבד. בלונים שמונחים בתוך המכשיר יהיו בעלי קוטר מקסימלי של 345 מ"מ וגובה מקסימלי של 370 מ"מ. אין למקם בלונים על הקרקע מתחת לפלטה החמה

### דרישות הווסת

יש להשתמש בווסת במכשיר זה. השתמש רק בווסת שמגיע עם הגריל. אם לא קיבלת ווסת השתמש רק בווסת המורשה בהתאם ל- EN16129 (קצב זרימה מקסימלי 1.5 ק"ג/ש') שמאושר במדינה שלך וגז שמופיע במידע הטכני.

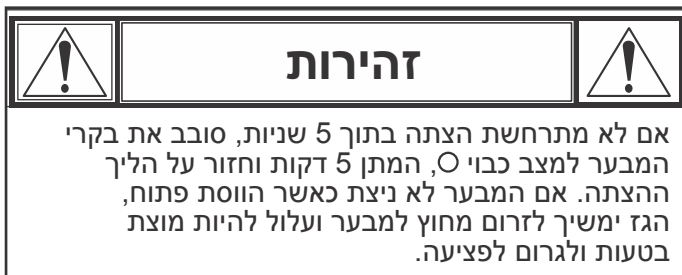
### דרישות הצינור

השתמש רק בצינור המורשה בהתאם לתקן EN שאינו עולה על אורך של 1.5 מ'. בפינלנד, אורך הצינור לא יעלה על 1.2 מ'. לפני כל שימוש, וודא שהצינור אינו חתוך או בלוי. וודא שהצינור אינו מפותל. וודא שכאשר הצינור מחובר הוא אינו בא במגע עם משטחים חמים. החלף צינור פגום לפני השימוש במכשיר. החלף את הצינור בהתאם לדרישות במדינה.

הברביקיו צריך להיות מותקן על בסיס בסיס מאובטח לפני השימוש.

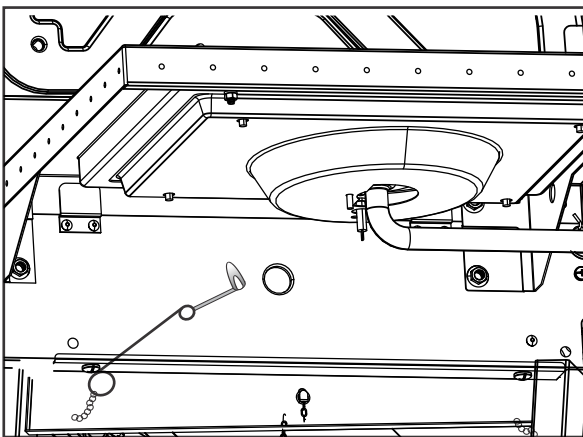
### הצתת המבער

- אין להישען מעל הגריל במהלך ההצתה.
- 1. העבר את שסתומי הבקרה של מבער הגז למצב O (כבוי).
- 2. פתח את המכסה במהלך ההצתה או ההצתה מחדש.
- 3. הפעל את הגז בבלון LP.
- 4. כדי להצית, לדחוף ולהפוך ל כפתור מבער הצתה לגבוה. מייד, לחץ וחזק לחצן אלקטרוני עד שהאורות הצורב
- 5. אם לא מתרחשת הצתה בתוך 5 שניות, סובב את בקרי המבער למצב כבוי O, המתן 5 דקות וחזור על הליך ההצתה.
- 6. כדי להצית מבערים נוספים, סובב את הידית למצב גבוה ל. התחל במבערים הסמוכים ל למצת.



### הדלקה באמצעות גפרורים

- אין להישען מעל הגריל במהלך ההצתה.
- 1. סובב את שסתומי הבקרה של מבער הגז למצב O (כבוי).
- 2. פתח את המכסה במהלך ההצתה או ההצתה מחדש.
- 3. הפעל את הגז בבלון LP.
- 4. הנח גפרור במעמד הגפרורים (תלוי מהפאנל הצדדי של הגריל). הדלק גפרור; אז הצת את המבער באמצעות הנחת הגפרור בחור המיועד לגפרורים בצד הגריל. מיד לאחר מכן, לחץ והחזק את ידית המבער למצב גבוה ל. וודא שהמבער ניצת ונשאר דולק.
- 5. הצת מבערים סמוכים לפי הסדר באמצעות לחיצה וסיבוב של הידיות למצב גבוה ל.



## אם לא ניתן להפעיל את המכשיר

- וודא שהגז בבלון מופעל.
  - וודא שיש גז בבלון.
  - האם המצת משמיע קול של הצתה?
    - אם כן, חפש ניצוץ במבער.
    - אם אין ניצוץ, חפש חוטים פגומים או רפויים.
  - אם החוטים בסדר חפש אלקטרודה סדוקה או שבורה, החלף במקרה הצורך.
  - אם החוטים או האלקטרודות מכוסים בשאריות מזון, נקה את קצה האלקטרודה עם מטלית אלכוהול במקרה הצורך.
  - אם יש צורך, החלף את החוטים.
  - אם אין צליל, בדוק את הסוללה.
  - וודא שהסוללה ממוקמת כראוי.
  - חפש חיבורים רפויים של החוטים במודול והחלף.
- אם הצתה ממשיכה לפעול, השתמש בהתאמה

## הערה: לא ניתן להוסיף פלטה חמה לגריל שלך!

### הצתת המבער בפלטה החמה

#### • אין להישען מעל הגריל במהלך ההצתה.

1. העבר את שסתומי הבקרה של מבער הגז למצב O (כבוי).
2. פתח את המכסה במהלך ההצתה או ההצתה מחדש.
3. הפעל את הגז בבלון LP.
4. סובב את הידית של הפלטה החמה למצב גבוה ♪, לחץ והחזק את לחצן המצת האלקטרוני.
5. אם לא מתרחשת הצתה בתוך 5 שניות, סובב את הידית למצב O (כבוי), המתן 5 דקות וחזור על הליך ההצתה.

### הצתת הפלטה החמה באמצעות גפרורים

#### • אין להישען מעל הגריל במהלך ההצתה.

- סובב את שסתומי הבקרה של מבער הגז למצב O (כבוי). פתח את המכסה במהלך ההצתה או ההצתה מחדש. הפעל את הגז בבלון LP. הנח גפרור דולק בסמוך למבער. מיד לאחר מכן, סובב את הידית של הפלטה החמה למצב גבוה ♪. וודא שהמבער ניצת ונשאר דולק.



## זהירות



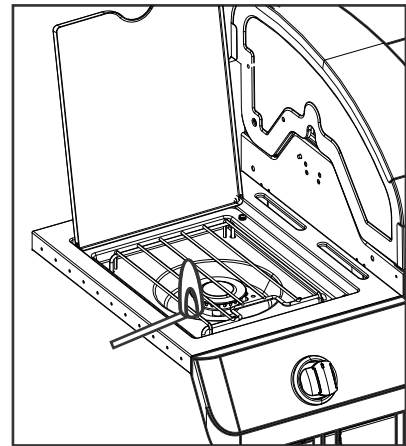
### אזהרת עכבישים!

**עכבישים ורשתות בתוך המבער**



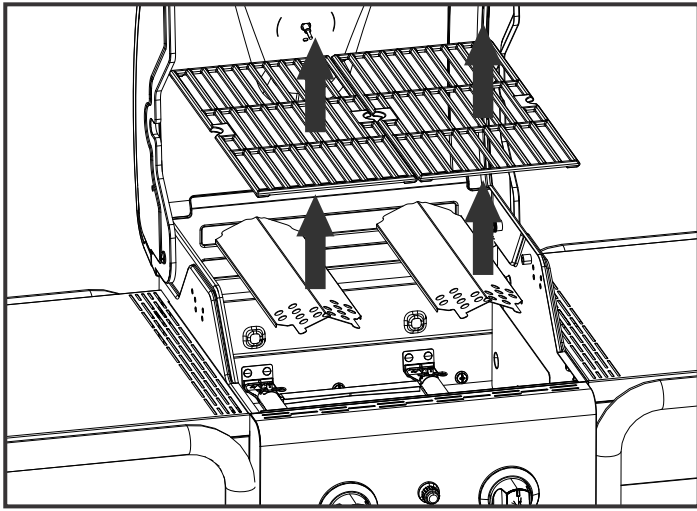
אם קשה להדליק את הגריל או שהלהבה חלשה, בדוק ונקה את פתחי הוונטורי והמבערים.

עכבישים או חרקים קטנים נוטים לגרום לבעיות של עיכוב הצתה כאשר הם מקימים קנים ומטילים ביצים בפתחי הוונטורי או במבער של הגריל וחוסמים את מעבר הגז. הגז המצטבר עלול להיות מוצת מאחורי לוח הבקרה. העיכוב הזה בהצתה עלול לפגוע בגריל ולגרום לפציעה. על מנת למנוע עיכובים בהצתה ולוודא שהביצועים יהיו תקינים, יש להסיר ולנקות את המבער ואת צינורות הוונטורי לאחר שהגריל עמד ללא שימוש לתקופה ממושכת.

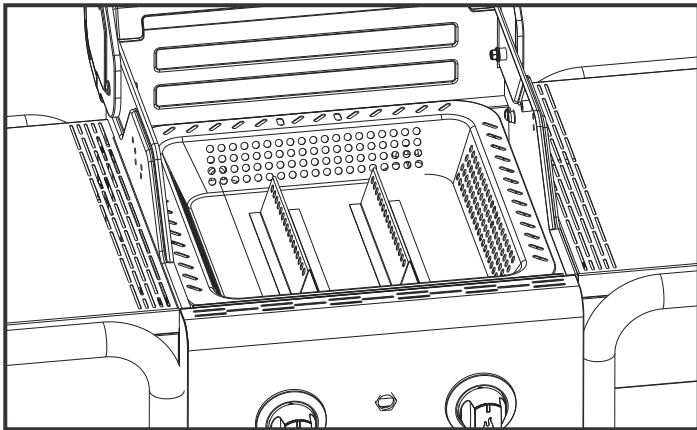


### בדיקת דליפה לשסתומים, לצינור ולווסת

- בדוק דליפות לפני השימוש הראשון, לפחות פעם בשנה, ובכל פעם שיש החלפה או ניתוק של הבלון.
1. הועבר את כל הידיות במכשיר למצב O.
  2. וודא שהווסת מחובר בצורה הדוקה לבלון הגז.
  3. הפעל את הגז. אם אתה שומע קול של בריחה, כבה את הגז באופן מיידי. יש דליפה משמעותית בחיבור. תקן לפי שתמשיך.
  4. הברש תמיסת סבון (תערובת של חצי סבון וחצי מים). על חיבורי הצינור.
  5. אם מופיעה בועה, יש דליפה. כבה את הגז בבלון באופן מיידי ובדוק א החיבורים הדוקים. אם לא ניתן לעצור את הדליפה, אל תנסה לתקן. הזמן חלקי חילוף.
  6. תמיד כבה את הגז בבלון לאחר ביצוע בדיקת הדליפות.



סר סורג בישול ואוהלים חומים



מיקום פחם מגש פרופר

### המלצות ניקיון

- נקה את הגריל לאחר כל שימוש בפחם.
- וודא שהפחם כבה לחלוטין ושהיחידה התקררה מספיק לפני הניקיון.
- הסר את מגש הפחם ונקה את כל האפר.

**הערה:** לאחר השימוש, יתכן שמגש הפחם יאבד מצבעו. זה מצב נורמלי.

### הנחיות להצתת פחם

1. כאשר הגריל קר, הסר את רשתות הבישול.
  2. מקם את מגש הפחם בגריל.
  3. הוסף שכבה יחידה של פחם למגש, 0.9 ק"ג לכל היותר.
  4. החזר את רשתות הבישול.
  5. כאשר המכסה פתוח, הצת את המבערים באמצעות.
- ההנחיות להצתה בגז.**
6. למשך 15 דקות עם המכסה סגור.
  7. (כבוי). (סובב את ידיות הבקרה למצב 7).
  8. פתח את המכסה והמתן 5 דקות, או עד שהפחם נהפך ללבן, לפני הוספת מזון.
  9. אין לבשל לפני דלק יש שכבת אפר.

	<b>אזהרה</b>	
<p>אין להפעיל את מבערי הגז למשך יותר מ-15 דקות במהלך השימוש בפחם.</p> <ul style="list-style-type: none"> <li>• אין להשתמש בנוזל הצתה, נפט, דלק או אלכוהול להדלקת הפחם.</li> <li>• אין להשתמש בשבבי עץ או בחומרי בעירה בגריל.</li> <li>• התחל שימוש בפחם רק לאחר שמגש הפחם ממוקם כראוי בתנור. ראה אזור.</li> <li>• הסר את מגש הפחם מהתנור ואחסן אותו כאשר אתה משתמש בגריל גז בלבד.</li> <li>• אין להפעיל את מבערי הגז כאשר מגש הפחם נמצא בתנור ללא פחם.</li> <li>• <b>אזהרה!</b> אין להשתמש בכוח או בניזין להצתה או להצתה מחדש של הגריל! יש להשתמש אך ורק בעזרי הצתה תואמי תקן EN1860-3!</li> </ul>		

**הערה:** ברביקיו צריך להיות מחומם מעלה את הדלק כל הזמן אדום חם עבור לפחות 30 דקות לפני הטבח הראשון שלך.

	<b>אזהרה</b>	
<p><b>סכנת פחמן חד חמצני</b> שריפת פחם במקום סגור עלולה להרוג אותך. הפחם פולט פחמן חד חמצני, חסר ריח. אין לשרוף פחם בתוך בתים, כלי רכב או אוהלים.</p>		

	<b>אזהרה</b>	
<p>גם לאחר שנראה שפחם כבה, גחלת שלא נכבתה יכולה לשחרר חום במשך 24 שעות, ובמגע עם אוויר עלולה להפוך ללהבה באופן פתאומי. גחלת כזו מחוץ לתנור הגריל עלולה לגרום לשריפה ועלולה להצית משטחים דליקים כמו דק עשוי עץ.</p>		

## ניקוי חלקי המבער

- פעל בהתאם להנחיות הללו לניקוי ו/או החלפת חלקי המבער או במקרה שיש לך בעיות בהצתת המבער.
1. **כבה את הגז בידיות הבקרה ובבלון LP.**
  2. הסר את רשתות הבישול ואוהלי החום.
  3. הסר את צינורות ההעברה ואת מבערי אבטחת החומרה.
  4. נתק את האלקטרודה מהמבער.
- הערה:** שיטת ההסרה/הניתוק תלויה בתצורת המבער. ראה תצורות שונות באיור בהמשך.
5. הרם בזהירות כל מבער והרחק אותו מפתחי השסתומים. אנחנו מציעים שלוש שיטות לניקוי צינורות המבער. השתמש בשיטה הנוחה ביותר עבורך.
- א.** כופף כבל קשיח (מתלה מעילים קל יתאים לכך) לצורה של וו קטן. העבר את הוו דרך כל אחד מצינורות המבער מספר פעמים.



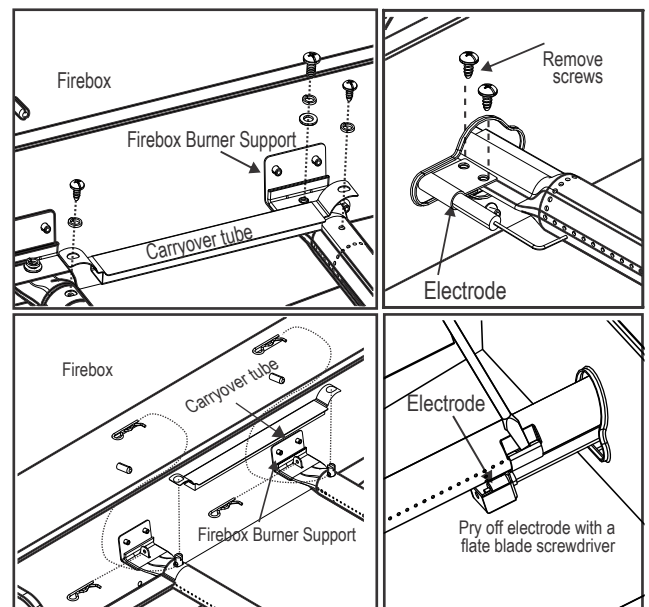
6. השתמש במברשת בקבוקים צרה עם ידית גמישה (אין להשתמש במברשת מחוטי פליז). העבר את המברשת דרך כל אחד מצינורות המבער מספר פעמים.
7. **השתמש במגן עיניים:** השתמש בצינור אוויר כדי להכניס אוויר לצינור המבער שיצא דרך יציאות המבער. בדוק כל יציאה כדי לוודא שהאוויר יוצא דרך כל חור.
8. נקה במברשת תיל את כל המשטח החיצוני של המבער כדי להסיר שאריות מזון ולכלוך.
9. נקה יציאות חסומות עם כבל קשיח כמו סיכת ביטחון פתוחה.
10. בדוק אם יש נזק למבער בשל בלאי טבעי וקורוזיה, חורים מסוימים עלולים להיות גדולים יותר. אם אתה מוצא סדקים או חורים גדולים, החלף את המבער.

## חשוב מאוד: צינורות המבער צריכים לתאום את פתחי המסתמים. ראה איור מצד ימין.



## התאמה נכונה של מבער-שסתום

9. חבר אלקטרודה למבער.
10. מקם מחדש את המבער בזהירות.
11. חבר את המבערים לסוגרים בתנור.
12. מקם מחדש את צינורות ההעברה וחבר אותם למבערים. מקם מחדש את אוהלי החום ורשתות הבישול.
13. לפני בישול בגריל, בצע "בדיקת דליפות" ו"בדיקת להבת המבער".



## אחסון המכשיר

- נקה את רשתות הבישול.
- אחסן במקום יבש.
- כאשר בלון גז מחובר למכשיר, אחסן בחוץ באזור מאוורר היטב ומחוץ להישג ידם של ילדים.
- כסה את המכשיר אם הוא מאוחסן בחוץ.
- אחסן את המכשיר בפנים רק אם בלון הגז כבוי ומנותק, מוסר מהמכשיר ומאוחסן בחוץ.
- כאשר אתה מוציא את המכשיר מאחסון, בדוק אם יש חסימה במבערים.

## ניקוי כללי של המכשיר

- נקה את המכשיר לעיתים קרובות, עדיף לאחר כל שימוש. אם אתה משתמש במברשת עם זיפים לניקוי משטחי הבישול של המכשיר, וודא שלא נשארים זיפים על משטח הבישול לפני השימוש בגריל. לא מומלץ לנקות את משטח הבישול כאשר המכשיר חם. יש לנקות את המכשיר לפחות פעם בשנה.
- אל תטעה לחשוב שהצטברויות חומות או שחורות של שמן או עשן הן צבע. החלקים הפנימיים של גריל גז לא עוברים נצבעים במפעל (ואין לצבוע אותם). השתמש בתמיסה חזקה של חומר ניקוי ומים או השתמש בחומר הניקוי של המכשיר ושפשף באמצעות מברשת את החלקים הפנימיים של מכסה המכשיר ואת החלק התחתון. שטוף והשאר לייבוש מלא באוויר. אין להשתמש בחומר ניקוי קאוסטי למכשירים/תנורים על שטחים צבועים.
- חלקי פלסטיק: שטוף עם מי סבון חמים ונגב עד לייבוש.
- אין להשתמש בציטריזול, חומרי ניקוי חריפים, מסירי שומנים או חומרי ניקוי מרוכזים על חלקי פלסטיק. עלול להיגרם נזק וכשל של החלקים.
- משטחי חרסיה: בשל ההרכב דמוי הזכוכית, ניתן לנקות את רוב השאריות על ידי ניגוב האמצעות תמיסת סודה לשתייה/מים או חומר ניקוי מיוחד. השתמש באבקת ניקוי לא חריפה לכתמים קשים.
- משטחים צבועים: שטוף עם חומר ניקוי עדין או חומר ניקוי לא חריף ומי סבון חמים. נגב עד לייבוש עם בד עדין שאינו שורט.
- משטחי פלדת אל-חלד: על מנת לשמור על רמות ביצועים גבוהות של המכשיר, שטוף עם חומר ניקוי עדין ומי סבון חמים ונגב עד לייבוש עם בד רך לאחר כל שימוש.
- שאריות שמן שרוף עשויים לדרוש שימוש ברפידת ניקיון שעשויה מפלסטיק קשיח. השתמש רק בכיוון הגימור כדי להימנע מגרימת נזק. אין להשתמש ברפידות שוחקות על אזורים עם גרפיקה.
- משטחי בישול: אם אתה משתמש במברשת עם זיפים לניקוי משטח בישול כלשהו, וודא שלא נשארים זיפים על משטחי הבישול לפני השימוש בגריל. מומלץ לא לנקות את משטחי הבישול כאשר המכשיר חם.

מידע טכני  
CHAR-BROIL, GmbH

ברביקיו גז / גריל גז			גריל גז/ בר ביקיו
8,2 kW (597 g/h)			תפוקת חום נומינלי
I3B/P(50)	I3B/P(30)	I3+(28-30/37)	קטגוריית גז
468302221	468301221		מספר דגם
בוטאן, פרופן או תערובות שלהם	בוטאן, פרופן או תערובות שלהם	פרופן	בוטאן
50 מילי בר	30-28 מילי בר	37 מילי בר	30-28 מילי בר
0.92 יח' 3 אברביקיו:	1.04 יח' 2 אברביקיו:	1.04 יח' 2 אברביקיו:	
AT, DE, CH, LU, SK	DK, NO, NL, SE, FI, IS, CZ, IT, SK, BG, CY, EE, HR, HU, LT, LU, LV, MT, RO, SI, TR	GB, FR, BE, ES, IT, PT, CZ, SK, CH, CY, GR, IE, LT, LU, LV, SI	מדינות היעד

במהלך השימוש, רוב המשטחים החיצוניים של היחידה חמים מאוד. פעל בזהירות מרבית. הרחק אנשים אחרים הרחק ילדים ובעלי חיים מהיחידה. אין להזיז את היחידה במהלך הפעולה.

אסור בהחלט להשתמש בבנזין, בנפט או באלכוהול בתור נוזל להדלקת הפחם. במדינות מסוימות, החוק אוסר את השימוש בנוזל להדלקת פחם. במקרה זה, ניתן להשתמש בקוביות הדלקה העשויות מפרפין כתחליף לנוזל להדלקת הפחם. אסור בהחלט להשתמש בנוזל הדלקת פחם עם מצית חשמלי.

אי-הקפדה על כל הוראות היצרן עלולה לגרום לפציעה

חמורה ו/או נזק לרכוש.

מגש האפר צריך להיות מותקן כהלכה במהלך הפעלת הגריל.

התקנה לקויה עלולה לגרום לנפילת גחלים לוחטות מתוך הגריל.

כל המשטחים החיצוניים עלולים להתלטה במהלך השימוש. השתמש בצידוד מגן לפי הצורך כדי למנוע כוויות. אין להשתמש ביחידה זו בקרבת משטחים או מבנים דליקים, כגון דקים מעץ, עלים ועשב יבש, מחיצות וחיפויים העשויים מוויניל או מעץ.

גחלים של פחם עץ מסוגלים לשמור על חומם עד 42 שעות לאחר כיבוי הלהבה הגלויה, אך חשיפתם לאוויר צח עלולה לגרום להתלקחות בלתי צפויה. גחלים שנמצאים מחוץ לתא

האש של הגריל מהווים סכנת שריפה ועלולים להצית משטחים דליקים כגון דקים מעץ.

#### סכנת פחמן חד-חמצני

בעירה של פחם עץ כרוכה בסכנת חיים. במהלכה משתחרר פחמן חד-חמצני, גז רעיל נטול ריח. אסור בהחלט לשרוף פחם עץ בתוך חלל בית, כלי רכב או אוהל.

אין לבשל לפני הדלק יש אפר צפוי.

אָזְקֶרָה! - זה ברביקיו יהיה חם מאוד, לא להזיז אותו במהלך המבצע. אין להשתמש בבית.

אָזְקֶרָה! הרחק ילדים וחיות מחמד.

זָהָרָה! אין להשתמש רוח או דלק תאורה או תאורה מחדש!

השתמש רק אש מציתים EN 1860-3! הציות



## PERSOANA CARE INSTALEAZĂ/ASAMBLEAZĂ:


Lăsați acest manual consumatorului.

## CONSUMATOR:


Păstrați manualul pentru consultare ulterioară.

## Întrebări:

Dacă aveți întrebări pe parcursul asamblării sau utilizării grătarului, contactați comerciantul.



# PERICOL



Dacă simțiți miros de gaz:


1. Întrerupeți alimentarea cu gaz a grătarului.
2. Stingeti eventualele flăcări.
3. Deschideți capacul.
4. Dacă mirosul persistă, nu vă apropiați de grătar și solicitați imediat intervenția unei echipe a furnizorului de gaz.




# AVERTIZARE



1. Nu depozitați și nu folosiți lichide inflamabile (benzină) în apropierea grătarului sau a altor aparate casnice.
2. Buteliile de gaz neconectate spre utilizare nu se vor depozita în apropierea grătarului sau a altor aparate casnice.



# ATENȚIE



- Înainte de a asambla și a folosi grătarul, citiți și respectați toate instrucțiunile privind siguranța, instrucțiunile de asamblare, de utilizare și întreținere.
- Anumite componente pot avea margini tăioase. Se recomandă utilizarea mănușilor de protecție.

**Aprinderea grăsimilor**

- **Stingerea flăcărilor provocate de aprinderea grăsimilor nu este posibilă prin închiderea capacului. Grătarele dispun de un sistem de ventilare eficient din motive de siguranță.**
- **Nu folosiți apă pentru a stinge grăsimile aprinse. Acest lucru prezintă pericol de vătămare fizică. În cazul flăcărilor persistente ale grăsimilor aprinse, închideți toți robinetii grătarului și ai buteliei de gaz.**
- **Dacă grătarul nu a fost curățat în mod regulat, grăsimile acumulate se pot aprinde, provocând defecțiuni grătarului. Aveți grijă atunci când efectuați preîncălzirea sau arderea resturilor de alimente, pentru a evita aprinderea grăsimilor. Pentru a evita aprinderea grăsimilor, respectați instrucțiunile generale privind curățarea grătarului și a ansamblului arzătorului. Cea mai bună metodă de a preveni aprinderea grăsimilor este curățarea periodică a grătarului.**
- **Nu lăsați grătarul nesupravegheat pe parcursul procesului de preîncălzire sau ardere a resturilor de alimente pe treapta HI (maxim). Dacă grătarul nu a fost curățat în mod regulat, grăsimile acumulate se pot aprinde, provocând defecțiuni grătarului.**



# AVERTIZARE

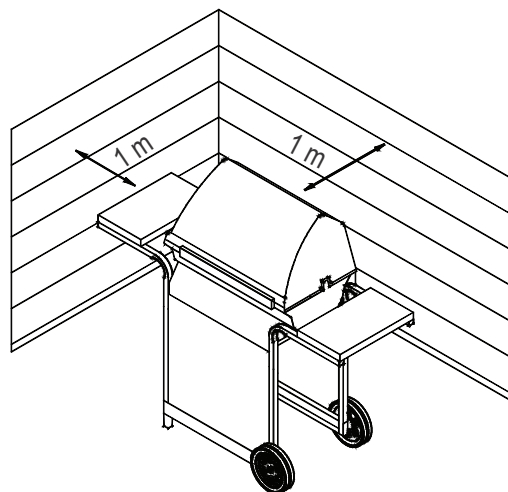


## Pentru siguranța utilizării grătarului și pentru a preveni accidentele grave:

• **FOLOSIȚI GRĂTARUL NUMAI ÎN EXTERIOR. NU ÎL UTILIZAȚI NICIODATĂ ÎN INTERIOR!**

Înainte de utilizarea grătarului, citiți instrucțiunile. Respectați întotdeauna instrucțiunile.

- Nu mutați grătarul în timpul utilizării.
- Anumite părți pot deveni foarte fierbinți. Nu lăsați copiii să se apropie de grătar. Nu lăsați copiii să folosească grătarul sau să se joace în preajma acestuia.
- După utilizare, întrerupeți alimentarea cu gaz de la butelie.
- Nu utilizați grătarul în apropierea unor materiale inflamabile.
- Nu blocați orificiile din părțile laterale sau din partea posterioară a grătarului.
- Verificați periodic flacăra arzătorului.
- Nu blocați orificiile Venturi ale arzătorului.
- Folosiți grătarul numai în spații bine ventilate. **ESTE INTERZISĂ** utilizarea acestuia în spații închise, precum un adăpost pentru mașină, un garaj, o terasă acoperită sau sub orice alt fel de acoperiș.
- **NU** acoperiți grătarele cu folie de aluminiu sau alte materiale. Acest lucru blochează ventilarea arzătorului și poate crea situații periculoase, care au ca rezultat daune materiale și/sau vătămare fizică.
- **Păstrați o distanță de minimum 1 metru între grătar și orice perete sau alte suprafețe.**
- Păstrați o distanță de minimum 3 metri față de obiectele inflamabile sau care pot reprezenta o sursă de aprindere, precum flacăra de veghe a unui boiler, aparate electrice în funcțiune etc.



- **NU încercați să aprindeți aprinzătorul cu capacul închis. O posibilă acumulare de gaz sub capac este periculoasă.**
- Înainte de a muta butelia de gaz din poziția de lucru specificată, întrerupeți gazul de la robinetul buteliei și deconectați regulatorul.
- Niciodată nu puneți în funcțiune grătarul dacă butelia de gaz nu se află în poziția corectă, conform instrucțiunilor.
- Nu aduceți modificări grătarului. Orice modificare este strict interzisă. Utilizatorul nu va manipula componentele sigilate. Nu dezasamblați injectoarele.

## Sfaturi privind siguranța

- Înainte de a deschide robinetul buteliei de gaz, verificați dacă regulatorul este bine strâns.
- Când nu folosiți grătarul, închideți toți robinetii acestuia și ai buteliei de gaz.
- Folosiți ustensile de grătar cu mâner lung și mănuși de bucătărie pentru a evita arsurile. Când manipulați componentele fierbinți, folosiți mănuși de protecție.
- Greutatea maximă pentru plita caldă și raftul lateral este de 4,5 kg. Vasul de gătit trebuie să aibă diametrul minim de 200 mm, respectiv diametrul maxim de 260 mm. **OBSERVAȚIE:** NU toate modelele de grătar sunt echipate cu plită caldă!
- Recipientul pentru grăsime (în cazul modelelor dotate cu acest accesoriu) trebuie să fie montat la grătar și golit după fiecare utilizare. Nu demontați recipientul pentru grăsime decât după răcirea completă a grătarului.
- Aveți grijă la deschiderea capacului. Sub acesta pot exista aburi fierbinți.
- Aveți grijă când se află prin preajmă copii, vârstnici sau animale.
- Dacă observați că picură grăsime sau alte materii fierbinți din grătar pe robinetii, furtun sau regulator, întrerupeți imediat alimentarea cu gaz. Determinați cauza, remediați problema, apoi curățați și verificați robinetul, furtunul și regulatorul înainte de a continua. Efectuați un test de scurgeri.
- Nu depozitați în căruciorul grătarului alte obiecte sau materiale, deoarece acestea ar putea bloca fluxul de aer necesar arderii din partea inferioară a panoului de comenzi sau a cuvei de ardere.
- NU efectuați deconectarea sau schimbarea buteliei de gaz la mai puțin de 3 metri de o flacăra deschisă sau o sursă de aprindere.

### Poziționarea buteliei

Cilindrul de 6 kg sau mai puțin poate fi așezat pe sol sub raftul lateral sau în interiorul aparatului în locul prevăzut. Cilindri mai mari trebuie plasați numai sub raftul lateral sau în spatele grătarului. Cilindrii plasați în aparat trebuie să aibă un diametru maxim de 345 mm și o înălțime maximă de 430 mm. Cilindrii plasați pe sol nu trebuie plasați sub placa fierbințe.

### Cerințe privind regulatorul




Pentru acest grătar este necesară utilizarea unui regulator. Nu folosiți alt regulator decât cel furnizat împreună cu grătarul. Dacă regulatorul nu este inclus, folosiți un regulator ce corespunde standardului EN16129 (debit maxim 1,5 kg/h) aprobat pentru țara dvs. și gazul specificat în secțiunea „Date tehnice”. Folosiți o butelie de gaz compatibilă cu regulatorul.

### Cerințe privind furtunul



Folosiți numai un furtun aprobat conform standardului EN corespunzător și nu depășește lungimea de 1,5 m. Pentru Finlanda, furtunul nu trebuie să depășească 1,2 m.

Înainte de fiecare utilizare, verificați furtunul să nu prezinte tăieturi sau uzură. Aveți grijă ca furtunul să nu fie pliat. Aveți grijă ca furtunul conectat să nu atingă nicio suprafață caldă. Dacă furtunul prezintă defecte, acesta trebuie înlocuit înainte de utilizarea grătarului. Înlocuiți furtunul conform cerințelor din țara dvs.



## Instrucțiuni pentru aprinderea gazului - Aprinderea cu aprinzătorul încorporat

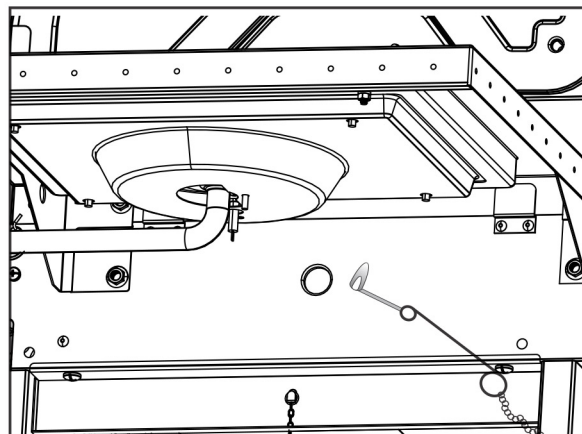
- **Nu vă aplecați peste grătar când îl aprindeți.**
1. Aduceți robinetii ce controlează arzătorul în poziția O (Oprit).
  2. Când aprindeți sau reaprindeți grătarul, capacul trebuie să fie deschis.
  3. Porniți alimentarea cu gaz de la butelie.
  4. Pentru aprindere, apăsați și rotiți butonul arzătorului la poziția  HIGH (Maxim). Imediat, apăsați și țineți apăsat butonul  ELECTRONIC IGNITOR (Aprinzător electronic) până se aprinde arzătorul.
  5. Dacă aprinderea NU se realizează în 5 secunde, opriți arzătorul de la buton O, așteptați 5 minute și repetați procedura de aprindere.
  6. Pentru aprinderea celorlalte arzătoare, aduceți robinetul în poziția  HIGH (Maxim), începând cu arzătorul cel mai apropiat de arzătorul-aprinzător.

	<b>AVERTIZARE</b>	
<b>Când nu folosiți grătarul, aduceți toate butoanele în poziția oprit și închideți robinetul buteliei.</b>		

	<b>ATENȚIE</b>	
<b>Dacă aprinderea NU se realizează în 5 secunde, opriți arzătorul de la buton, așteptați 5 minute și repetați procedura de aprindere. Dacă arzătorul nu se aprinde cu robinetul deschis, gazul va continua să iasă prin arzător, existând pericolul aprinderii accidentale și provocării de vătămare fizică.</b>		

### Aprinderea cu chibrituri

- **Nu vă aplecați peste grătar când îl aprindeți.**
1. Aduceți robinetii ce controlează arzătorul în poziția O (Oprit).
  2. Când aprindeți sau reaprindeți grătarul, capacul trebuie să fie deschis.
  3. Porniți alimentarea cu gaz de la butelie.
  4. Introduceți un chibrit în suportul special (atașat la panoul lateral al grătarului). Aprindeți chibritul, apoi aprindeți arzătorul introducând chibritul prin orificiul din partea laterală a grătarului. Imediat, apăsați și rotiți robinetul arzătorului în poziția  HIGH (Maxim). Asigurați-vă că arzătorul s-a aprins și rămâne aprins.
  5. Aprindeți succesiv celelalte arzătoare apăsând și rotind robinetii corespunzători în poziția  HIGH (Maxim).



**OBSERVAȚIE: NU toate modelele de grătar sunt echipate cu plită caldă!**

#### **Aprinderea plitei calde cu aprinzătorul încorporat**

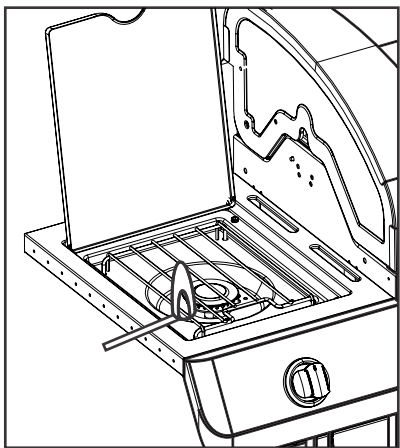
• **Nu vă aplecați peste grătar când îl aprindeți.**

1. Aduceți robinetii ce controlează arzătorul în poziția O (Oprit).
2. Când aprindeți sau reaprindeți grătarul, capacul trebuie să fie deschis.
3. Porniți alimentarea cu gaz de la butelie.
4. Aduceți robinetul plitei calde în poziția HIGH (Maxim), apoi apăsați și țineți apăsat butonul ELECTRONIC IGNITOR (Aprinzător electronic).
5. Dacă arzătorul plitei calde nu se aprinde în 5 secunde, aduceți robinetul în poziția O (Oprit), așteptați 5 minute, apoi repetați procedura.

#### **Aprinderea plitei calde cu chibrituri**

• **Nu vă aplecați peste grătar când îl aprindeți.**

1. Aduceți robinetii ce controlează arzătorul în poziția O (Oprit).
2. Când aprindeți sau reaprindeți grătarul, capacul trebuie să fie deschis.
3. Porniți alimentarea cu gaz de la butelie.
4. Apropiati chibritul aprins de arzător. Imediat, rotiți robinetul de alimentare cu gaz al plitei calde în poziția HIGH (Maxim). Asigurați-vă că arzătorul s-a aprins și rămâne aprins.



#### **Testarea pentru etanșeitate a robinetilor, furtunului și regulatorului**

Efectuați testul de etanșeitate înainte de prima utilizare, cel puțin o dată pe an și de fiecare dată când schimbați sau deconectați butelia.

1. Aduceți toți robinetii grătarului în poziția „O”.
2. Asigurați-vă că regulatorul este bine strâns pe butelie.
3. Deschideți robinetul de gaz. Dacă se aude un zgomot puternic, opriți imediat alimentarea cu gaz. Există o scurgere gravă la nivelul racordului. Rectificați această problemă înainte de a continua.
4. Aplicați cu o pensulă soluție de săpun (amestec de apă și săpun în proporții egale) pe conectorii furtunului.
5. Dacă se formează bule tot mai mari, legătura nu este etanșă. Opriți imediat alimentarea cu gaz de la butelie și verificați etanșeitatea legăturilor. Dacă nu se poate opri scurgerea de gaz, nu încercați să executați reparații. Solicitați piese de schimb.
6. După orice testare a etanșeității, opriți gazul de la robinetul buteliei.

#### **DACĂ NU SE POATE REALIZA APRINDEREA GRĂTARULUI**

- Verificați dacă ați deschis robinetul de gaz de la butelie.
- Verificați dacă există gaz în butelie.
- Se aude un zgomot de scânteie de la aprinzător? Dacă da, verificați dacă scânteia chiar se produce.
- Dacă nu se produce scânteie, verificați dacă firele nu sunt cumva deteriorate sau întrerupte.
- Dacă firele nu sunt defecte, verificați dacă nu cumva există crăpături sau rupturi la nivelul electrozului. Dacă e necesar, înlocuiți electrozului.
- Dacă firele sau electrozului sunt acoperite de resturi de alimente, curățați vârful electrozului cu un tampon cu alcool.
- Dacă este necesar, înlocuiți firele.
- Dacă nu se aude niciun sunet, verificați bateria.
- Verificați dacă bateria este montată corect.
- Verificați dacă există fire desprinse la modul sau la comutator.
- Dacă nici acum nu funcționează aprinzătorul, folosiți chibrituri.

## ATENȚIE

### ATENȚIE LA PĂIANJENI!

**PĂIANJENI ȘI PÂNZE ÎN INTERIORUL ARZĂTORULUI**

Dacă grătarul devine mai dificil de aprins sau dacă flacăra este mai slabă, verificați și curățați conductele Venturi și arzătoarele.

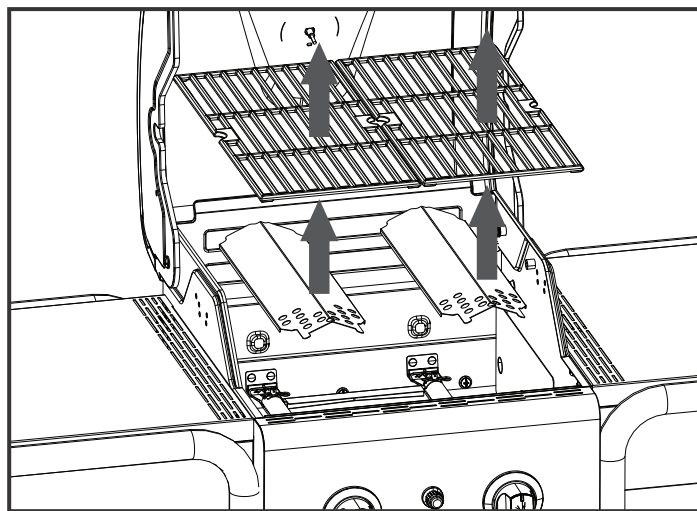
Păianjenii și alte insecte mici pot provoca fenomenul de „retur al flăcării”, din cauza cuiburilor și ouălor depuse în conductele Venturi sau în arzătorul grătarului, blocând fluxul de gaz. Gazul care se întoarce pe conductă se poate aprinde în spatele panoului de comenzi. O astfel de flăcără poate produce defecțiuni grătarului și poate provoca vătămare fizică. Pentru a preveni fenomenul de retur al flăcării și pentru o bună funcționare, ansamblul cu arzător și conductă Venturi trebuie demontat și curățat ori de câte ori grătarul a fost nefolosit o perioadă mai îndelungată.

Ö:ææ |Á^à` aÁ ÁaÁ •ææÁ^Á Áæ Á  
•^& |ã æ Á) æ c^Á^Á çã æ^È

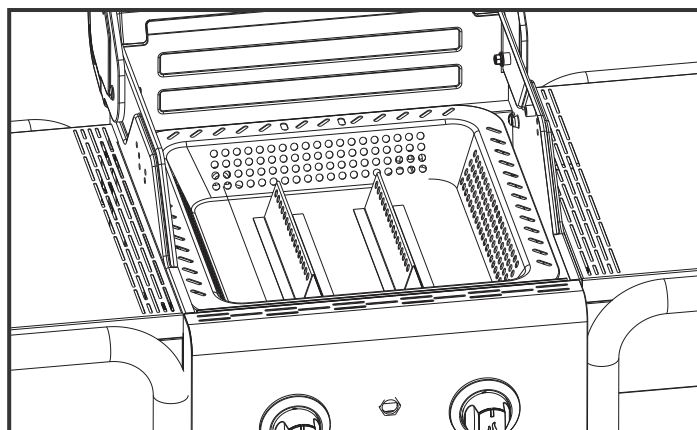
## Instrucțiuni pentru aprinderea cărbunilor

1. Detașați grilele de gătire și scuturile arzătoarelor. Atenție: grătarul trebuie să fie rece.
2. Așezați tava pentru cărbuni în interiorul grătarului.
3. Plasați un singur strat de cărbune în tavă, maximum 0,9 kg pentru fiecare tavă.
4. Puneți la loc grilele de gătire.
5. Cu capacul deschis, aprindeți arzătoarele urmând instrucțiunile pentru aprinderea gazului.
6. Lăsați arzătoarele să funcționeze pe treapta HIGH (Maxim) timp de 15 minute cu capacul închis.
7. Aduceți robinetii în poziția O (Oprit).
8. Deschideți capacul și așteptați 5 minute sau așteptați până când cărbunii au culoarea albă, înainte de a adăuga alimentele.
9. Nu începeți gătitul decât după ce cărbunii capătă un înveliș de cenușă.

**OBSERVAȚIE:** Înainte de prima gătit, grătarul trebuie încins iar cărbunii menținuți foarte fierbinți timp de cel puțin 30 de minute.



Demontați grilele de gătire și scuturile arzătoarelor



Așezarea corectă a tăvii pentru cărbuni



## AVERTIZARE



- Nu utilizați arzătoarele cu gaz mai mult de 15 minute atunci când folosiți cărbuni.
- **AVERTIZARE!** Nu utilizați alcool sau benzină pentru aprindere sau reaprindere! Utilizați exclusiv aprinzătoarele care respectă standardul EN1860-3!
- Nu folosiți niciodată lichid pentru brichete, petrol, benzină sau alcool pentru aprinderea cărbunilor.
- Nu folosiți niciodată brichete pe bază de lemn sau tăvițe-grătar de unică folosință în interiorul grătarului.
- Aprindeți cărbunii NUMAI dacă tava cu cărbuni este așezată corect în focar. Vezi figura.
- Când folosiți grătarul numai cu gaz, scoateți tava pentru cărbuni din focar.
- Nu puneți în funcțiune arzătorul cu gaz atunci când este instalată în focar tava pentru cărbuni goală.



## AVERTIZARE



**PERICOL DE ASFIXIERE CU MONOXID DE CARBON:** Arderea cărbunilor într-un spațiu interior prezintă pericol de moarte. Aceștia degajă monoxid de carbon, care este inodor. NICIODATĂ nu ardeți cărbuni în interiorul casei, în autovehicule sau în cort.



## AVERTIZARE



Deși cărbunii pot părea stinși, cărbunii neconsumați pot reține căldura până la 24 de ore, iar sub acțiunea curenților de aer se pot reaprinde spontan. În afara focarului grătarului, astfel de cărbuni aprinși reprezintă un pericol de incendiu, putând aprinde suprafețele inflamabile, precum o terasă din lemn.

## Recomandări privind curățarea

- Este necesară curățarea grătarului după fiecare utilizare cu cărbuni.
- Înainte de curățare, cărbunii trebuie să fie complet stinși, iar grătarul trebuie să se răcească suficient.
- Scoateți tava pentru cărbuni și curățați bine resturile de cenușă.

**Observație:** După utilizare, tava pentru cărbuni își poate schimba culoarea. Acesta este un lucru normal.

## Curățarea ansamblului arzătorului

Pentru a curăța/înlocui piese ale arzătorului sau dacă aveți probleme cu aprinderea, urmați aceste instrucțiuni.

1. **Întrerupeți alimentarea cu gaz de la robinet și cel al buteliei GPL.**
2. Demontați grilele de gătire și scuturile arzătoarelor.
3. Demontați conductele de transfer dintre arzătoare și elementele de fixare a arzătoarelor.
4. Demontați electrodul de la arzător.

**OBSERVAȚIE:** Metoda de demontare/detașare depinde de configurația arzătorului. Vedeți diferite configurații în ilustrațiile de mai jos.

5. Ridicați cu grijă fiecare arzător și îndepărtați-l de la orificiul robinetului.

Propunem trei metode de curățare a conductelor arzătoarelor. Alegeți-o pe cea mai convenabilă pentru dvs.

A. Îndoți o bucată de sârmă tare (de exemplu un umerăș de sârmă) formând un mic cârlig. Introduceți cârligul prin fiecare conductă a arzătoarelor de mai multe ori.

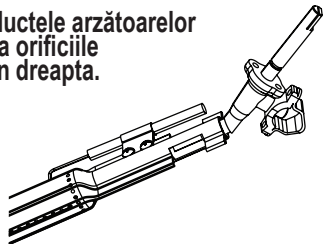


B. Utilizați o perie de sticle subțire cu mâner flexibil (nu folosiți o perie de sârmă). Treceți peria prin fiecare conductă a arzătoarelor de mai multe ori.

C. Folosiți ochelari de protecție: Folosiți un compresor și suflați aer în conductele arzătoarelor, spre orificiile arzătorului. Verificați orificiile arzătorului pentru a vă asigura că fiecare este desfundată.

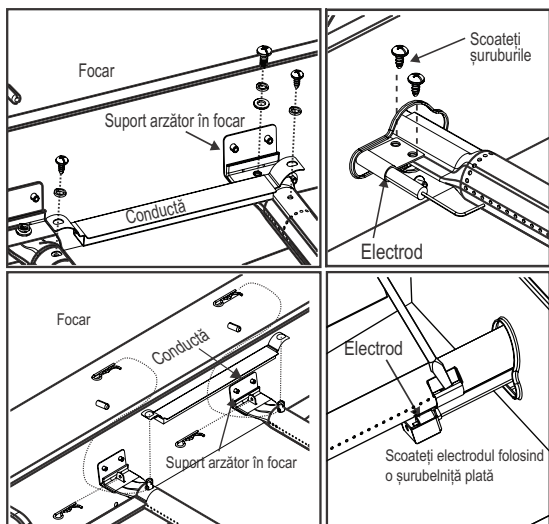
6. Frecați exteriorul arzătorului cu peria de sârmă pentru a îndepărta reziduurile și murdăria.
7. Curățați orificiile înfundate cu o sârmă tare, precum o agrafă de birou desfăcută.
8. Verificați dacă arzătorul prezintă urme de uzură sau coroziune: unele orificii se pot lărgi. Dacă prezintă crăpături sau găuri, înlocuiți arzătorul.

**FOARTE IMPORTANT: Conductele arzătoarelor trebuie reconectate corect la orificiile robinetelor. Vezi ilustrația din dreapta.**



### Racordarea corectă a arzătorului la robinet

9. Atașați electrodul la arzător.
10. Montați la loc arzătoarele cu grijă.
11. Atașați arzătoarele la suporturile din focar.
12. Montați la loc conductele de transfer dintre arzătoare. Montați la loc scuturile arzătoarelor și grilele de gătire.
13. Înainte de a relua utilizarea grătarului, efectuați un test de etanșeitate și un test de flacără pentru arzător.



## Depozitarea grătarului

- Curățați grilele de gătire.
- Depozitați într-un loc uscat.
- Dacă butelia este conectată la grătar, depozitarea se va face în exterior, într-un spațiu bine ventilat și ferit de accesul copiilor.
- Dacă se depozitează în exterior, acoperiți cu o husă.
- Grătarul se va depozita în interior NUMAI dacă butelia de gaz este închisă, deconectată de la grătar și depozitată în exterior.
- La repunerea în funcțiune după depozitare, verificați ca arzătoarele să nu fie înfundate.

## Instrucțiuni generale privind curățarea grătarului

- Curățați grătarul frecvent, de preferință după fiecare utilizare. Dacă se folosește o perie aspră pentru curățarea suprafețelor de gătire ale grătarului, aveți grijă să nu rămână peri pe aceste suprafețe înainte de gătire. Nu se recomandă curățarea suprafeței de gătire cât timp grătarul este fierbinte. Curățați grătarul cel puțin o dată pe an.
- Nu confundați depunerile de grăsime și fum de culoare maro sau negru cu vopseaua. Interiorul grătarelor cu gaz nu este vopsit din fabrică (și nici nu trebuie vopsit vreodată). Aplicați o soluție concentrată de detergent cu apă sau o soluție specială de curățat cu ajutorul periei pe interiorul capacului și partea inferioară. Clătiți și așteptați să se usuce. Nu folosiți o soluție caustică de curățare pe suprafețele vopsite.
- Componentele de plastic: Spălați cu apă caldă și săpun, apoi ștergeți bine.
- Nu folosiți Citrisol, agenți abrazivi, degresanți sau soluții de curățare concentrate pe suprafețe de plastic. Pot apărea deteriorări sau defecțiuni ale componentelor.
- Suprafețele ceramice: Din cauza compoziției similare cu cea a sticlei, reziduurile pot fi, în general, șterse cu o soluție cu bicarbonat/apă sau cu o soluție specială de curățare. Pentru petele persistente, folosiți un praf de curățare neabraziv.
- Suprafețele vopsite: Spălați cu un detergent slab sau soluție de curățare neabrazivă și apă caldă cu săpun. Ștergeți bine cu o cârpă moale.
- Suprafețele din oțel inoxidabil: Pentru a păstra aspectul de echipament de înaltă calitate, spălați cu un detergent slab și apă caldă cu săpun, apoi ștergeți bine cu o cârpă moale după fiecare utilizare. Pentru înlăturarea depunerilor arse, poate fi necesar un burete abraziv din plastic. Frecați în direcția finisajului, pentru a evita deteriorarea suprafeței. Nu folosiți buretele abraziv pe suprafețele cu inscripții.
- Suprafețele de gătire: Dacă se folosește o perie aspră pentru curățarea oricăror suprafețe de gătire, aveți grijă să nu rămână peri pe suprafețele de gătire înainte de utilizarea grătarului. Nu se recomandă curățarea suprafețelor de gătire când grătarul este fierbinte.

DATE TEHNICE  
CHAR-BROIL, GmbH

Denumire produs	Grătar cu gaz			
Capacitate calorică nominală totală	8,2 kW (597 g/h)			
Categorie gaz	I3+(28-30/37)	I3B/P(30)	I3B/P(50)	
Model	468301221			468302221
Tip gaz	Butan	Propan	Butan, propan sau amestec al celor două	Butan, propan sau amestec al celor două
Presiune gaz	28-30 mbar	37 mbar	28-30 mbar	50 mbar
Mărime injector (diametru: mm)	Grătar: 2 buc. x 1,04		Grătar: 2 buc. x 1,04	Grătar: 2 buc. x 0,92
Țara de destinație	GB, FR, BE, ES, IT, PT, CZ, SK, CH, CY, GR, IE, LT, LU, LV, SI	DK, NO, NL, SE, FI, IS, CZ, IT, SK, BG, CY, EE, HR, HU, LT, LU, LV, MT, RO, SI, TR	AT, DE, CH, LU, SK	
Alimentare electrică	Baterie 1,5 V c.c.			

Majoritatea suprafețelor de pe această unitate sunt fierbinți atunci când sunt utilizate. Aveți grijă deosebită. Țineți-i pe alții departe de unitate. Îmbrăcați întotdeauna îmbrăcămintea de protecție pentru a preveni rănirea.

Nu mutați aparatul în timpul funcționării.

Nu înlocuiți niciodată benzina, kerosenul sau alcoolul pentru starterul de cărbune. În acest caz, cuburile de pornire cu parafină pot fi înlocuite cu starterul de cărbune. Nu folosiți niciodată lichid de start al cărbunelui cu un demaror electric.

Toate suprafețele pot fi fierbinți în timpul utilizării. Utilizați protecția necesară pentru a preveni arderea.

Nu utilizați această unitate pe sau lângă suprafețe sau structuri combustibile, cum ar fi punțile de lemn, frunzele uscate sau iarba, vinilul sau siding, etc.

După ce un incendiu de cărbune apare, stingătoarele arsuri neconsumate pot reține căldura timp de până la 24 de ore și, dacă sunt expuse la aer proaspăt, pot izbucni în flacără în mod neașteptat. Orice astfel de cuiburi în afara focarului de gratar reprezintă un pericol de incendiu și poate aprinde suprafețe combustibile, cum ar fi punțile de lemn.

Nerespectarea tuturor instrucțiunilor producătorului poate duce la vătămări corporale grave și / sau daune materiale.

#### PERICOL DE MONOXID DE CARBON

Arderea cărbunelui în interior vă poate ucide. Ea eliberează monoxid de carbon, care nu are miros. NICIODATĂ nu ardeți cărbune în case, vehicule sau corturi.

**Nu gătiți înainte ca combustibilul să aibă o cenușă de acoperire.**

**AVERTIZARE! - acest grătar va deveni foarte fierbinte, NU îl mutați în timpul funcționării.**

**Nu utilizați în interior.**

**AVERTIZARE! NU folosiți băuturi spirtoase sau benzină pentru iluminare sau re-iluminare! Utilizați numai ignifuge conform EN 1860-3!**

**AVERTIZARE! Păstrați copii și animale de companie departe.**

NECESITATEA CITIȚII ȘI URMĂTOAREA INSTRUCȚIUNILOR PENTRU ILUMINAREA CARBUNELOR POATE REZULTĂ ÎN PERICULOASE PIERDERI PIERDERI ȘI / SAU PIERDERI DE PROPRIETATE.

ÎNTOTDEAUNA UTILIZAȚI ATENȚIE CÂND MANIPULAȚI CĂRBUNELE HERBE DE PREVENIRE A PREJUDICIULUI. ÎNTOTDEAUNA LUMINOZĂ FIERUL CU CĂPTUL BARBECU DESCHIS.

## ΕΓΚΑΤΑΣΤΑΤΗΣ/ΣΥΝΑΡΜΟΛΟΓΗΤΗΣ:

Αφήστε το εγχειρίδιο αυτό στον καταναλωτή.

## ΚΑΤΑΝΑΛΩΤΗΣ:

Φυλάξτε το εγχειρίδιο αυτό γιατί θα το χρειαστείτε στο μέλλον.

## Ερωτήσεις:

Αν έχετε απορίες κατά τη συναρμολόγηση ή τη χρήση της συσκευής αυτής, επικοινωνήστε με τον αντιπρόσωπο της εταιρείας στην περιοχή σας.



## ΚΙΝΔΥΝΟΣ



Αν αντιληφθείτε ότι υπάρχει οσμή αερίου:

1. Διακόψτε την παροχή αερίου στη συσκευή.
2. Σβήστε κάθε γυμνή φλόγα.
3. Ανοίξτε το κάλυμμα.
4. Αν η μυρωδιά εξακολουθεί να υπάρχει, μείνετε μακριά από τη συσκευή και καλέστε αμέσως την εταιρεία που σας προμηθεύει το αέριο ή την πυροσβεστική.



## ΠΡΟΕΙΔΟΠΟΙΗΣΗ



1. Δεν πρέπει να αποθηκεύετε ούτε να χρησιμοποιείτε βενζίνη ή άλλα εύφλεκτα υγρά κοντά στη συγκεκριμένη ή σε οποιαδήποτε άλλη συσκευή.
2. Αν έχετε φιάλες υγραερίου που δεν συνδέσατε ακόμη για χρήση, δεν πρέπει να τις αποθηκεύετε



## ΠΡΟΣΟΧΗ



- Διαβάστε και ακολουθήστε όλες τις συμβουλές για θέματα ασφάλειας και τις οδηγίες συναρμολόγησης, χρήσης και φροντίδας προτού επιχειρήσετε να συναρμολογήσετε τη συσκευή και να μαγειρέψετε.
- Ορισμένα εξαρτήματα ενδέχεται να περιέχουν αιχμηρά άκρα. Συνιστούμε να φοράτε προστατευτικά γάντια.

### Φωτιά από καμένο λίπος

- Δεν μπορείτε να σβήσετε τη φωτιά από καμένο λίπος κλείνοντας το κάλυμμα. Οι συσκευές μπάρμπεκιου εξαερίζονται καλά για λόγους ασφάλειας.
- Σε περίπτωση φωτιάς από καμένο λίπος, δεν πρέπει χρησιμοποιήσετε νερό για να τη σβήσετε γιατί θα διατρέξετε κίνδυνο τραυματισμού. Αν το καμένο λίπος πάρει φωτιά που δεν σβήνει γρήγορα, κλείστε τους διακόπτες και την παροχή από τη φιάλη αερίου.
- Αν δεν καθαρίζετε τακτικά τη συσκευή, υπάρχει κίνδυνος φωτιάς από καμένο λίπος και πρόκλησης ζημιάς στο προϊόν. Πρέπει να προσέχετε πολύ κατά την προθέρμανση ή την καύση των υπολειμμάτων των φαγητών για να διασφαλίσετε ότι το καμένο λίπος δεν θα πάρει φωτιά. Φροντίστε να ακολουθείτε τις οδηγίες για τη διαδικασία γενικού καθαρισμού της συσκευής και τη διαδικασία καθαρισμού της διάταξης των καυστήρων ώστε να αποσοβήσετε τον κίνδυνο φωτιάς από καμένο λίπος. Ο καλύτερος τρόπος για να αποτραπεί ο κίνδυνος αυτός είναι ο τακτικός καθαρισμός της συσκευής.
- Δεν πρέπει να απομακρύνετε από τη συσκευή μπάρμπεκιου και να την αφήνετε ανεπιτήρητη κατά την προθέρμανση ή την καύση των υπολειμμάτων των φαγητών με χρήση της λειτουργίας HI. Αν δεν καθαρίζετε τακτικά τη συσκευή μπάρμπεκιου, υπάρχει κίνδυνος φωτιάς από καμένο λίπος οπότε θα προκληθεί ζημιά στο προϊόν.

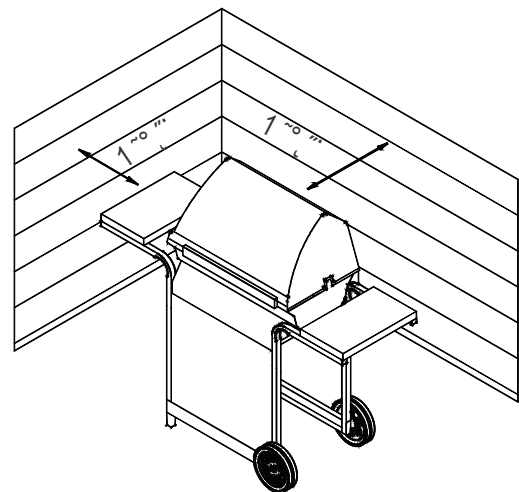


## ΠΡΟΕΙΔΟΠΟΙΗΣΗ



**Για να διαφυλάξετε την ασφαλή χρήση της συσκευής σας και να αποσοβήσετε κάθε κίνδυνο πρόκλησης σοβαρού τραυματισμού:**

- ΧΡΗΣΙΜΟΠΟΙΗΣΤΕ ΤΗ ΣΥΣΚΕΥΗ ΜΟΝΟ ΣΕ ΕΞΩΤΕΡΙΚΟΥΣ ΧΩΡΟΥΣ, ΠΟΤΕ ΣΕ ΕΣΩΤΕΡΙΚΟΥΣ!
- **Προτού χρησιμοποιήσετε τη συσκευή, διαβάστε τις οδηγίες. Πρέπει να τις τηρείτε πιστά πάντοτε.**
- Δεν πρέπει να μετακινείτε τη συσκευή κατά τη χρήση της.
- Τα προσβάσιμα εξαρτήματα ενδέχεται να είναι πολύ θερμά. Φροντίστε να μην τα πλησιάζουν τα μικρά παιδιά. Μην αφήνετε τα παιδιά να χρησιμοποιούν τη συσκευή ούτε να παίζουν κοντά της.
- Μετά τη χρήση πρέπει να κλείνετε τον διακόπτη παροχής αερίου που υπάρχει στη φιάλη.
- Η συγκεκριμένη συσκευή πρέπει να βρίσκεται πάντα μακριά από εύφλεκτα υλικά κατά τη χρήση της.
- Δεν πρέπει να φράσσετε τις οπές στις πλαϊνές πλευρές ή στην πίσω πλευρά της συσκευής.
- Πρέπει να ελέγχετε τακτικά τις φλόγες στους καυστήρες.
- Δεν πρέπει να φράσσετε τα ανοίγματα εξαερισμού (των σωλήνων Venturi) στον καυστήρα.
- Η συσκευή πρέπει να χρησιμοποιείται μόνο σε καλά εξαεριζόμενο χώρο. ΠΟΤΕ μη χρησιμοποιήσετε τη συσκευή σε κλειστό χώρο, π.χ. υπόστεγο αυτοκινήτου, γκαράζ, σκεπαστή είσοδο, σκεπαστή βεράντα ή κάτω από σκέπαστρο κάθε είδους.
- **ΔΕΝ ΠΡΕΠΕΙ** να καλύπτετε τις σχάρες με αλουμινοχαρτό ούτε με κάποιο άλλο υλικό. Θα παρεμποδιστεί ο εξαερισμός των καυστήρων και υπάρχει πιθανότητα να προκύψει κάποια επικίνδυνη κατάσταση που θα προκαλέσει υλικές ζημιές και/ή τραυματισμό.
- **Πρέπει να χρησιμοποιείτε τη συσκευή σε απόσταση τουλάχιστον 1 μέτρου από κάθε τοίχο ή επιφάνεια.**
- Η συσκευή πρέπει να απέχει 3 μέτρα από αντικείμενα που υπάρχει κίνδυνος να πάρουν φωτιά ή πηγές ανάφλεξης, π.χ. θερμοσίφωνες, ηλεκτρικές συσκευές σε λειτουργία κλπ.



## Συμβουλές για θέματα ασφάλειας

- Προτού ανοίξετε τη βαλβίδα της φιάλης αερίου, ελέγξτε αν είναι καλά σφιγμένοι ο ρυθμιστής.
- Όποτε δεν χρησιμοποιείτε τη συσκευή, πρέπει να κλείνετε όλους τους διακόπτες ρύθμισης και την παροχή αερίου.
- Πρέπει να χρησιμοποιείτε εργαλεία μπάρμπεκιου με μακριά λαβή και γάντια φούρνου για να αποφύγετε εγκαύματα και πισσιλίσματα. Πρέπει να φοράτε προστατευτικά γάντια όποτε ασχολείστε με θερμά εξαρτήματα.
- Το ανώτατο φορτίο για τη θερμαντική πλάκα και για το πλαϊνό ράφι είναι 4,5 κιλά με σκεύος μαγειρέματος ελάχιστης διαμέτρου 200 χιλιοστών και μέγιστης διαμέτρου 260 χιλιοστών.
- Πρέπει να τοποθετείτε μέσα στη συσκευή το προστατευτικό κάλυμμα για το λίπος (αν υπάρχει στον εξοπλισμό σας) και να το αδειάζετε μετά από κάθε χρήση. Δεν πρέπει να αφαιρείτε το προστατευτικό κάλυμμα για το λίπος ωστόσο κρυώσει εντελώς η συσκευή.
- Πρέπει να προσέχετε πολύ όταν ανοίγετε το προστατευτικό κάλυμμα επειδή ενδέχεται να βγει καυτός ατμός.
- Απαιτείται μεγάλη προσοχή όταν βρίσκονται κοντά παιδιά, ηλικιωμένα άτομα ή κατοικίδια.
- Αν παρατηρήσετε ότι στάζει λίπος ή άλλο θερμό υλικό από τη συσκευή επάνω στη βαλβίδα, στον εύκαμπτο σωλήνα ή στον ρυθμιστή, διακόψτε αμέσως την παροχή αερίου. Εξακριβώστε την αιτία, διορθώστε το πρόβλημα και ύστερα καθαρίστε και ελέγξτε τη βαλβίδα, τον εύκαμπτο σωλήνα και τον ρυθμιστή προτού συνεχίσετε.  
Κάντε μια δοκιμή για να ελέγξετε μήπως υπάρχουν διαρροές.
- Δεν πρέπει να αποθηκεύετε μέσα στο περίβλημα του τροχήλατου της συσκευής αντικείμενα ή υλικά που ενδέχεται να περιορίσουν τη ροή του αέρα καύσης προς την κάτω πλευρά είτε του πίνακα ελέγχου είτε του μπολ της εστίας.
- ΔΕΝ ΠΡΕΠΕΙ να αποσυνδέετε ούτε να αλλάζετε τη φιάλη αερίου σε απόσταση 3 μέτρων από γυμνές φλόγες ή άλλες πηγές ανάφλεξης.

## Τοποθέτηση φιαλών

Κύλινδρος 6 κιλών ή λιγότερο μπορεί να τοποθετηθεί στο έδαφος κάτω από το πλαϊνό ράφι ή μέσα στη συσκευή στη θέση που παρέχεται. Οι μεγαλύτεροι κύλινδροι πρέπει να τοποθετούνται μόνο κάτω από το πλευρικό ράφι ή πίσω από το μπάρμπεκιου. Οι κύλινδροι που τοποθετούνται στη συσκευή πρέπει να έχουν μέγιστη διάμετρο 345 mm και μέγιστο ύψος 430 mm. Οι κύλινδροι που τοποθετούνται στο έδαφος δεν πρέπει να τοποθετούνται κάτω από την εστία.

## Απαιτήσεις για τον ρυθμιστή

Στη συγκεκριμένη συσκευή επιβάλλεται η χρήση ρυθμιστή. Χρησιμοποιήστε μόνο τον ρυθμιστή αερίου που παρέχεται στη συσκευασία της συσκευής μπάρμπεκιου την οποία αγοράσατε. Αν δεν παρέχεται ρυθμιστής, τότε πρέπει να χρησιμοποιείτε μόνο ρυθμιστή που είναι πιστοποιημένος με βάση το πρότυπο EN16129 (για μέγιστο ρυθμό ροής 1,5 kg/ώρα) και είναι εγκεκριμένος για τη χώρα σας και το αέριο που καθορίζεται στην ενότητα «Τεχνικά δεδομένα». Πρέπει να χρησιμοποιείτε δεξαμενή αερίου που να είναι συμβατή με τον ρυθμιστή σας.

## Απαιτήσεις για τον εύκαμπτο σωλήνα

Χρησιμοποιήστε μόνο τον εγκεκριμένο εύκαμπτο σωλήνα που είναι πιστοποιημένος με βάση το ανάλογο πρότυπο EN και το μήκος του δεν ξεπερνά το 1,5 μέτρο. Για τη Φινλανδία το μήκος του εύκαμπτου σωλήνα δεν πρέπει να ξεπερνά τα 1,2 μέτρα. Πριν από κάθε χρήση πρέπει να ελέγχετε μήπως ο εύκαμπτος σωλήνας έχει κοπή ή φθαρεί σε κάποιο σημείο. Βεβαιωθείτε ότι ο εύκαμπτος σωλήνας δεν είναι στριμμένος. Βεβαιωθείτε ότι ο σωλήνας, όταν είναι συνδεδεμένος, δεν ακουμπά σε καμία θερμή επιφάνεια. Προτού χρησιμοποιήσετε τη συσκευή, αντικαταστήστε τον εύκαμπτο σωλήνα αν είναι κατεστραμμένος. Η αντικατάσταση του εύκαμπτου σωλήνα πρέπει να γίνεται με βάση τις απαιτήσεις των σχετικών εθνικών κανονισμών.

## Οδηγίες για την ενεργοποίηση της παροχής αερίου - Διαδικασία ανάμματος του εκκινητή φωτιάς begyujtás

- **Μη σκύβετε πάνω από τη συσκευή μπάρμπεκιου την ώρα που την ανάβετε.**
1. Γυρίστε τις βαλβίδες ελέγχου των καυστήρων αερίου στη θέση **O** (απενεργοποίησης).
  2. Ανοίξτε το κάλυμμα την ώρα που θα ανάψετε για πρώτη φορά ή ξανά τη συσκευή.
  3. Ανοίξτε την παροχή αερίου (θέση ON) στον κύλινδρο LP.
  4. Για να επιτευχθεί ανάφλεξη, πιέστε και γυρίστε τον διακόπτη IGNITION BURNER ↘ στη θέση **⬇** HIGH. Αμέσως πιέστε παρατεταμένα το κουμπί ELECTRONIC IGNITOR ώσπου να ανάψει ο καυστήρας.
  5. Αν ΔΕΝ επιτευχθεί ανάφλεξη μέσα σε 5 δευτερόλεπτα, κλείστε τα κουμπιά ρύθμισης του καυστήρα **O**, περιμένετε 5 λεπτά και επαναλάβετε τη διαδικασία ανάμματος.
  6. Για να ανάψετε τους υπόλοιπους καυστήρες, γυρίστε τον διακόπτη στη θέση **⬇** HIGH αρχίζοντας από τους καυστήρες που είναι πιο κοντά στον διακόπτη IGNITION BURNER ↘ πρώτα.

⚠ΠΡΟΕΙΔΟΠΟΙΗΣΗ⚠

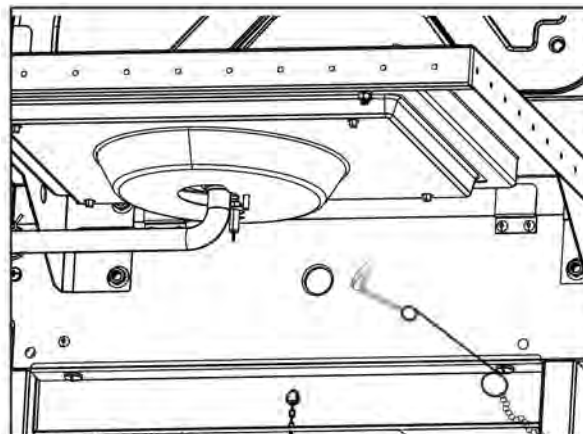
**Πρέπει να κλείνετε τα κουμπιά ρύθμισης και τη φιάλη αερίου όποτε δεν χρησιμοποιείτε τη συσκευή.**

⚠ΠΡΟΣΟΧΗ⚠

**Αν ΔΕΝ επιτευχθεί ανάφλεξη μέσα σε 5 δευτερόλεπτα, κλείστε τα κουμπιά ρύθμισης του καυστήρα, περιμένετε 5 λεπτά και επαναλάβετε τη διαδικασία ανάμματος. Αν δεν επιτευχθεί ανάφλεξη στον καυστήρα με τη βαλβίδα ανοιχτή, θα συνεχιστεί η ροή του αερίου έξω από τον καυστήρα και υπάρχει κίνδυνος τυχαίας ανάφλεξης και τραυματισμού.**

## Διαδικασία ανάμματος σπέρτων

- **Μη σκύβετε πάνω από τη συσκευή μπάρμπεκιου την ώρα που την ανάβετε.**
1. Γυρίστε τις βαλβίδες ελέγχου των καυστήρων αερίου στη θέση **O** (απενεργοποίησης).
  2. Ανοίξτε το κάλυμμα την ώρα που θα ανάψετε για πρώτη φορά ή ξανά τη συσκευή.
  3. Ανοίξτε την παροχή αερίου (θέση ON) στον κύλινδρο LP.
  4. Τοποθετήστε το σπέρτο μέσα στην υποδοχή σπέρτων (η οποία κρέμεται από το πλαϊνό πλαίσιο της συσκευής μπάρμπεκιου). Ανάψτε το σπέρτο. Ύστερα ανάψτε τον καυστήρα περνώντας το σπέρτο μέσα από την οπή ανάμματος σπέρτων στην πλαϊνή πλευρά της συσκευής μπάρμπεκιου. Αμέσως πιέστε προς τα μέσα τον διακόπτη του καυστήρα και γυρίστε τον στη θέση **⬇** HIGH. Βεβαιωθείτε ότι ο καυστήρας έχει ανάψει και ότι παραμένει αναμμένος.
  5. Ανάψτε τους γειτονικούς καυστήρες στη σειρά πιέζοντας προς τα μέσα τους διακόπτες τους και γυρίζοντάς τους στην θέση **⬇** HIGH.





**ΣΗΜΕΙΩΣΗ:** Η δική σας συσκευή μπάρμπεκιου ενδέχεται να ΜΗ διαθέτει θερμαντική πλάκα!

**Διαδικασία ανάμματος εκκινητή φωτιάς για τη θερμαντική πλάκα**

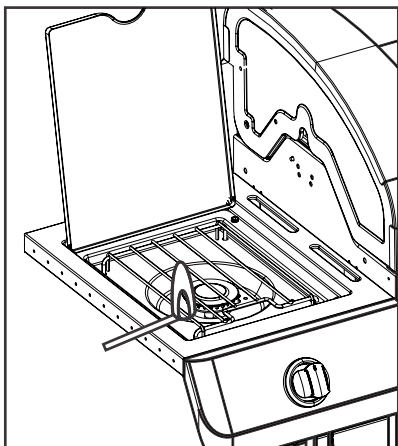
• Μη σκύβετε πάνω από τη συσκευή μπάρμπεκιου την ώρα που την ανάβετε.

1. Γυρίστε τις βαλβίδες ελέγχου των καυστήρων αερίου στη θέση (απενεργοποίησης).
2. Ανοίξτε το κάλυμμα την ώρα που θα ανάψετε για πρώτη φορά ή ξανά τη συσκευή.
3. Ανοίξτε την παροχή αερίου (θέση ON) στον κύλινδρο LP.
4. Γυρίστε τον διακόπτη της θερμαντικής πλάκας στη θέση HIGH και πιέστε παρατεταμένα το κουμπί **ELECTRONIC IGNITOR**.
5. Αν η θερμαντική πλάκα ΔΕΝ ανάψει σε 5 δευτερόλεπτα, γυρίστε τον διακόπτη στη θέση O (απενεργοποίησης), περιμένετε 5 λεπτά και ύστερα επαναλάβετε τη διαδικασία ανάμματος.

**Διαδικασία ανάμματος σπύριτου για τη θερμαντική πλάκα**

• Μη σκύβετε πάνω από τη συσκευή μπάρμπεκιου την ώρα που την ανάβετε.

1. Γυρίστε τις βαλβίδες ελέγχου των καυστήρων αερίου στη θέση O (απενεργοποίησης).
2. Ανοίξτε το κάλυμμα την ώρα που θα ανάψετε για πρώτη φορά ή ξανά τη συσκευή.
3. Ανοίξτε την παροχή αερίου (θέση ON) στον κύλινδρο LP.
4. Τοποθετήστε το αναμμένο σπύριτο κοντά στον καυστήρα. Γυρίστε αμέσως τον διακόπτη της θερμαντικής πλάκας στη θέση HIGH. Βεβαιωθείτε ότι ο καυστήρας έχει ανάψει και ότι παραμένει αναμμένος.



**Διαδικασία ελέγχου των βαλβίδων, του εύκαμπτου σωλήνα και του ρυθμιστή για διαρροές**

Κάντε μια δοκιμή για να ελέγξετε μήπως υπάρχουν διαρροές πριν από την πρώτη χρήση της συσκευής, τουλάχιστον μία φορά τον χρόνο και κάθε φορά που αλλάζετε ή αποσυνδέετε τη φιάλη.

1. Γυρίστε όλους τους διακόπτες ρύθμισης της συσκευής στη θέση O.
2. Βεβαιωθείτε ότι ο ρυθμιστής είναι καλά συνδεδεμένος και σφισμένος στη φιάλη αερίου.
3. Ανοίξτε την παροχή αερίου. Αν ακούσετε έναν ήχο ορμητικής ροής, διακόψτε αμέσως την παροχή αερίου. Υπάρχει σοβαρή διαρροή στη σύνδεση.
4. Περάστε με ένα πινέλο σαπουνόνερο (μείγμα σαπουνιού και νερού σε ίσα μέρη) επάνω στις συνδέσεις του εύκαμπτου σωλήνα.
5. Αν εμφανιστούν φυσαλίδες που διογκώνονται, υπάρχει διαρροή. Κλείστε αμέσως τον διακόπτη παροχής αερίου που υπάρχει στη φιάλη και ελέγξτε αν είναι καλά σφισμένες οι συνδέσεις. Αν δεν μπορέσετε να σταματήσετε τη διαρροή, μην επιχειρήσετε να επισκευάσετε τη συσκευή. Επικοινωνήστε με τον αντιπρόσωπο και ζητήστε ανταλλακτικά.
6. Πάντα πρέπει να κλείνετε τον διακόπτη παροχής αερίου που υπάρχει στη φιάλη αφού εκτελέσετε μια δοκιμή για έλεγχο διαρροών.

**ΑΝ Η ΣΥΣΚΕΥΗ ΔΕΝ ΑΝΑΒΕΙ**

- Βεβαιωθείτε ότι έχετε ανοίξει τον διακόπτη παροχής αερίου που υπάρχει στη φιάλη.
- Βεβαιωθείτε ότι υπάρχει αέριο μέσα στη φιάλη.
- Μήπως ο εκκινητής φωτιάς κάνει θόρυβο σπινθήρα:  
Αν ναι, ελέγξτε αν υπάρχει σπινθήρας στον καυστήρα.  
Αν δεν υπάρχει σπινθήρας, ελέγξτε μήπως τα καλώδια έχουν φθαρεί ή χαλαρώσει.
- Αν τα καλώδια είναι εντάξει, ελέγξτε μήπως κάποιο ηλεκτρόδιο έχει ραγίσει ή σπάσει και αντικαταστήστε το εφόσον είναι απαραίτητο.
- Αν τα καλώδια ή τα ηλεκτρόδια έχουν καλυφθεί με υπολείμματα μαγειρεμένων φαγητών, καθαρίστε το άκρο κάθε ηλεκτροδίου σκουπίζοντάς το με οινόπνευμα εφόσον είναι απαραίτητο.
- Αν χρειαστεί, αντικαταστήστε τα καλώδια.
- Αν δεν ακούγεται κανένας ήχος, ελέγξτε την μπαταρία.
- Βεβαιωθείτε ότι η μπαταρία είναι εγκατεστημένη σωστά.
- Ελέγξτε μήπως έχει χαλαρώσει η σύνδεση κάποιου καλωδίου στη μονάδα και στον διακόπτη.
- Αν ο εκκινητής φωτιάς εξακολουθεί να μη λειτουργεί, τότε χρησιμοποιήστε σπύριτο.

## ΠΡΟΣΟΧΗ

### ΠΡΟΣΟΧΗ ΣΤΙΣ ΑΡΑΧΝΕΣ!

**ΑΡΑΧΝΕΣ ΚΑΙ ΙΣΤΟΙ ΜΕΣΑ ΣΤΟΝ ΚΑΥΣΤΗΡΑ**



Αν διαρκώς δυσκολεύεστε να ανάψετε τη συσκευή μπάρμπεκιου ή αν η φλόγα είναι αδύναμη, ελέγξτε και καθαρίστε τους σωλήνες Venturi και τους καυστήρες.

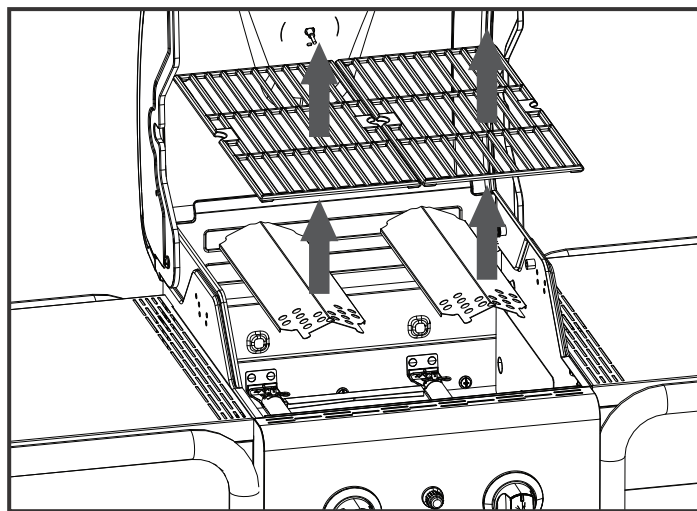
Αράχνες ή μικρά έντομα πολύ συχνά δημιουργούν προβλήματα «μπουκώματος» χτίζοντας τις φωλιές τους και γενώνοντας τα αυγά τους μέσα στους σωλήνες Venturi ή στους καυστήρες της συσκευής μπάρμπεκιου και εμποδίζουν τη ροή του αερίου. Το αέριο του οποίου η ροή αναστρέφεται υπάρχει κίνδυνος να αναφλεχθεί πίσω από τον πίνακα ελέγχου. Αυτή η αναστροφή της ροής μπορεί να προκαλέσει ζημιά στη συσκευή μπάρμπεκιου και τραυματισμό. Για να αποφύγετε κάθε κίνδυνο αναστροφής ροής και να διασφαλίσετε τις καλές επιδόσεις της συσκευής μπάρμπεκιου, πρέπει να αφαιρείτε τη διάταξη των καυστήρων και των σωλήνων Venturi και να την καθαρίζετε όποτε έχετε πολύ καιρό να χρησιμοποιήσετε τη συσκευή σας.

Á Á Á Á Á Á Á Á

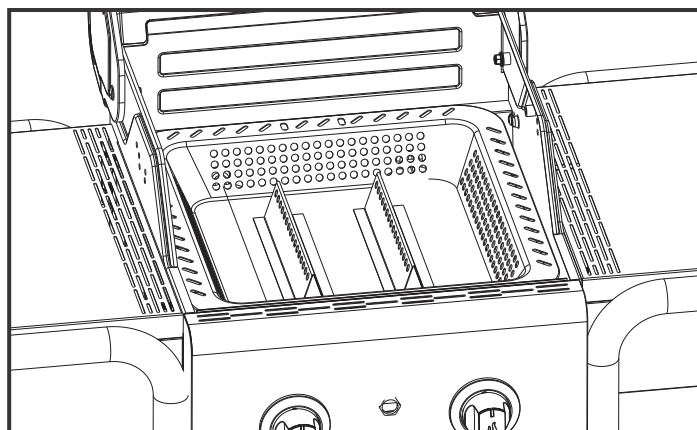
## Οδηγίες για τη διαδικασία ανάμματος ξυλοκάρβουνο

1. Αφαιρέστε τις σχάρες μαγειρέματος και τις ασπίδες θερμότητας εφόσον η συσκευή μπάρμπεκιου είναι κρύα.
2. Τοποθετήστε τον δίσκο του ξυλοκάρβουνο στη συσκευή μπάρμπεκιου.
3. Τοποθετήστε στον δίσκο μόνο μία στρώση ξυλοκάρβουνο, βάρους το πολύ 0,9 κιλών.
4. Επανατοποθετήστε τις σχάρες μαγειρέματος.
5. Αφήστε το κάλυμμα ανοιχτό και ανάψτε τους καυστήρες ακολουθώντας τις Οδηγίες για την ενεργοποίηση της παροχής αερίου.
6. Αφήστε τους καυστήρες αερίου να λειτουργήσουν με τη ρύθμιση HIGH επί 15 λεπτά έχοντας το κάλυμμα κλειστό.
7. Γυρίστε τους διακόπτες ρύθμισης στη θέση O (απενεργοποίησης).
8. Προτού προσθέσετε το φαγητό, ανοίξτε το κάλυμμα και περιμένετε 5 λεπτά ή μέχρι να ασπρίσει το ξυλοκάρβουνο.
9. Μη μαγειρέψετε αν δεν καλυφθεί με στάχτη το καύσιμο.

**ΣΗΜΕΙΩΣΗ:** Πρέπει να θερμάνετε τη συσκευή και να κρατήσετε το ξυλοκάρβουνο καυτό επί τουλάχιστον 30 λεπτά προτού μαγειρέψετε για πρώτη φορά.



Αφαιρέστε τις σχάρες μαγειρέματος και τις ασπίδες θερμότητας.



Ενδεδειγμένος τρόπος τοποθέτησης δίσκου ξυλοκάρβουνο

**ΠΡΟΕΙΔΟΠΟΙΗΣΗ**

- Όποτε χρησιμοποιείτε ξυλοκάρβουνο, οι καυστήρες αερίου δεν πρέπει να λειτουργούν πάνω από 15 λεπτά.
- **ΠΡΟΕΙΔΟΠΟΙΗΣΗ!** Δεν πρέπει να χρησιμοποιείτε οινόπνευμα ούτε βενζίνη για να ανάψετε ή να ξαναψέψετε τη φωτιά! Πρέπει να χρησιμοποιείτε μόνο προσανάμματα που πληρούν τις απαιτήσεις του προτύπου EN1860-3!
- Ποτέ μη χρησιμοποιήσετε υγρό αναπήρων, κηροζίνη, βενζίνη ή οινόπνευμα για να ανάψετε το ξυλοκάρβουνο.
- Ποτέ μη χρησιμοποιήσετε κομμάτια ξύλου ή είδη στιγμιαίας ανάφλεξης στη συσκευή μπάρμπεκιου.
- Ανάψτε το ξυλοκάρβουνο ΜΟΝΟ αφού τοποθετήσετε τον δίσκο ξυλοκάρβουνο στην ενδεδειγμένη θέση του μέσα στην εστία. Ανατρέξτε στην εικόνα.
- Όποτε χρησιμοποιείτε μόνο την παροχή αερίου για τη συσκευή μπάρμπεκιου, πρέπει να αφαιρείτε τον δίσκο ξυλοκάρβουνο από την εστία και να τον φυλάσσετε σε ασφαλές σημείο.
- Δεν πρέπει να χρησιμοποιείτε τον καυστήρα αερίου αφήνοντας τον δίσκο ξυλοκάρβουνο άδειο μέσα στην εστία.

**ΠΡΟΕΙΔΟΠΟΙΗΣΗ**

**ΚΙΝΔΥΝΟΣ ΛΟΓΩ ΜΟΝΟΞΕΙΔΙΟΥ ΤΟΥ ΑΝΘΡΑΚΑ:** Η καύση ξυλοκάρβουνο σε εσωτερικούς χώρους μπορεί να αποβεί θανατηφόρα. Εκλύεται μονοξείδιο του άνθρακα το οποίο είναι άοσμο.

**ΠΡΟΕΙΔΟΠΟΙΗΣΗ**

Μετά το άναμμα φωτιάς με ξυλοκάρβουνο, τα σβησμένα και μη χρησιμοποιημένα κάρβουνα μπορούν να διατηρήσουν τη θερμότητά τους επί έως και 24 ώρες και ενδέχεται να βγάλουν φλόγα ξαφνικά αν τα φυσήσει καθαρός αέρας. Αν αυτά τα κάρβουνα πέσουν έξω από το περίβλημα της εστίας της συσκευής μπάρμπεκιου και μείνουν εκτεθειμένα, υπάρχει κίνδυνος πυρκαγιάς γιατί ενδέχεται να πάρουν φωτιά διάφορες ευφλεκτες επιφάνειες, π.χ. ξύλινοι πάγκοι.

### Συστάσεις για τη διαδικασία καθαρισμού

- Επιβάλλεται να καθαρίζετε καλά τη συσκευή μπάρμπεκιου μετά από κάθε χρήση ξυλοκάρβουνο.
- Προτού καθαρίσετε τη μονάδα, πρέπει να ελέγχετε αν τα κάρβουνα έχουν σβήσει εντελώς και αν η συσκευή έχει κρυώσει όσο χρειάζεται.
- Πρέπει να αφαιρείτε τον δίσκο ξυλοκάρβουνο και να απομακρύνετε όλη τη στάχτη.

**Σημείωση:** Ο δίσκος ξυλοκάρβουνο ενδέχεται να αποχρωματιστεί με την πάροδο του χρόνου. Αυτό είναι φυσιολογικό και οφείλεται στη χρήση του δίσκου.

## Διαδικασία καθαρισμού της διάταξης των καυστήρων

Ακολουθήστε τις οδηγίες αυτές για τον καθαρισμό και/ή την αντικατάσταση εξαρτημάτων της διάταξης των καυστήρων ή αν δυσκολεύεστε να ανάψετε τη συσκευή μπάρμπεκιου.

### 1. Διακόψτε την παροχή αερίου στους διακόπτες ρύθμισης και στον κύλινδρο LP.

2. Αφαιρέστε τις σχάρες μαγειρέματος και τις ασπίδες θερμότητας.

3. Αφαιρέστε τους σωλήνες μεταφοράς και τα εξαρτήματα που συγκρατούν τους καυστήρες.

4. Αποσπάστε το ηλεκτρόδιο από τον καυστήρα.

**ΣΗΜΕΙΩΣΗ:** Η μέθοδος αφαίρεσης/απόσπασης εξαρτάται από τη διάρθρωση της διάταξης των καυστήρων. Μπορείτε να δείτε διάφορους τρόπους διάρθρωσης στις παρακάτω εικόνες.

5. Ανασηκώστε προσεκτικά κάθε καυστήρα και αποσπάστε τον από τα ανοίγματα των βαλβίδων. Προτείνουμε τρεις τρόπους καθαρισμού των σωλήνων των καυστήρων. Μπορείτε να χρησιμοποιήσετε όποιον σας διευκολύνει περισσότερο.

A. Λυγίστε ένα σκληρό σύρμα (ή ακόμη και έναν ελαφρύ γάντζο από μια κρεμάστρα ρούχων) ώστε να δημιουργήσετε ένα μικρό άγκιστρο. Περάστε αρκετές φορές το άγκιστρο μέσα από τον σωλήνα κάθε καυστήρα.

B. Χρησιμοποιήστε μια στενή βούρτσα καθαρισμού μπουκαλιών με εύκαμπτη λαβή (και όχι ορειχάλκινη συρματόβουρτσα). Περάστε αρκετές φορές τη βούρτσα μέσα από τον σωλήνα κάθε καυστήρα.

C. **Φορέστε προστατευτικά γυαλιά:** Χρησιμοποιήστε έναν εύκαμπτο σωλήνα πεπιεσμένου αέρα για να περάσει αέρας μέσα στον σωλήνα κάθε καυστήρα και να βγει από τις θύρες του καυστήρα. Ελέγξτε κάθε θύρα για να βεβαιωθείτε ότι βγαίνει αέρας από κάθε οπή.

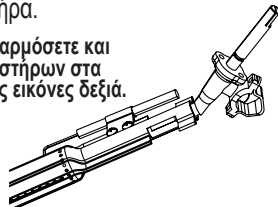
6. Τρίψτε με συρματόβουρτσα ολόκληρη την εξωτερική επιφάνεια του καυστήρα για να απομακρύνετε υπολείμματα φαγητού και ακαθαρσίες.

7. Καθαρίστε κάθε φραγμένη θύρα με σκληρό σύρμα, π.χ. με έναν ανοιγμένο συνδετήρα.

8. Ελέγξτε μήπως υπάρχουν κατεστραμμένα σημεία στον καυστήρα. Λόγω φυσιολογικής φθοράς και διάβρωσης ορισμένες οπές ενδέχεται να έχουν μεγαλώσει. Αν διαπιστώσετε ότι υπάρχουν μεγάλες ρωγμές ή οπές, αντικαταστήστε τον καυστήρα.

**ΠΟΛΥ ΣΗΜΑΝΤΙΚΟ:** Πρέπει να εφαρμόσετε και πάλι καλά τους σωλήνες των καυστήρων στα ανοίγματα των βαλβίδων. Δείτε τις εικόνες δεξιά.

### Σωστή εφαρμογή καυστήρα στη βαλβίδα



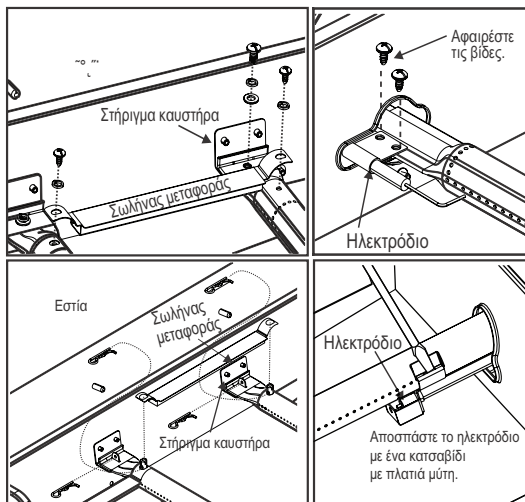
9. Προσαρτήστε το ηλεκτρόδιο στον καυστήρα.

10. Επανατοποθετήστε προσεκτικά τους καυστήρες.

11. Προσαρτήστε τους καυστήρες στα υποστηρίγματα τους στην εστία.

12. Επανατοποθετήστε τους σωλήνες μεταφοράς και προσαρτήστε τους στους καυστήρες. Επανατοποθετήστε τις ασπίδες θερμότητας και τις σχάρες μαγειρέματος.

13. Πριν μαγειρέψετε ξανά στη συσκευή μπάρμπεκιου κάντε μια δοκιμή για να ελέγξετε μήπως υπάρχουν διαρροές και φλόγες στους καυστήρες.



## Διαδικασία αποθήκευσης της συσκευής σας

• Καθαρίστε τις σχάρες μαγειρέματος.

• Αποθηκεύστε τη συσκευή σε χώρο χωρίς υγρασία.

• Όποτε αφήνετε τη φιάλη αερίου συνδεδεμένη στη συσκευή, πρέπει να αποθηκεύετε τον εξοπλισμό σε καλά εξαεριζόμενο χώρο και σε σημείο όπου δεν θα μπορούν να τη βρουν τα παιδιά.

• Καλύψτε τη συσκευή αν πρόκειται να την αποθηκεύσετε σε εξωτερικό χώρο.

• Μπορείτε να αποθηκεύσετε τη συσκευή σε εσωτερικό χώρο ΜΟΝΟ αν κλείσετε τη φιάλη αερίου, την αποσυνδέσετε, την αφαιρέσετε από τη συσκευή και την αποθηκεύσετε σε εξωτερικό χώρο.

• Όποτε απομακρύνετε τη συσκευή από τον χώρο αποθήκευσης, ελέγξτε μήπως υπάρχουν αντικείμενα που εμποδίζουν τους καυστήρες.

## Διαδικασία γενικού καθαρισμού της συσκευής

• Φροντίστε να καθαρίζετε συχνά τη συσκευή, κατά προτίμηση μετά το τέλος κάθε μαγειρέματος. Αν χρησιμοποιείτε βούρτσα με τρίχα για να καθαρίσετε κάποιες από τις επιφάνειες μαγειρέματος, προτού χρησιμοποιήσετε ξανά τη συσκευή βεβαιωθείτε ότι δεν έχουν μείνει τρίχες επάνω στις επιφάνειες μαγειρέματος. Συνιστούμε να μην καθαρίζετε την επιφάνεια μαγειρέματος προτού κρυώσει η συσκευή. Πρέπει να καθαρίζετε τη συσκευή τουλάχιστον μία φορά τον χρόνο.

• Μην μπερδεύετε όταν δείτε καφετιά ή μαύρα σημάδια από συσσωρευμένα λίπη και καπνό και πιστέψετε ότι είναι μπογιά. Το εσωτερικό των συσκευών μπάρμπεκιου αερίου δεν βάφεται στο εργοστάσιο (και ούτε πρέπει να βαφτεί ποτέ). Απλώστε ένα ισχυρό διάλυμα απορρυπαντικού με νερό ή χρησιμοποιήστε ένα καθαριστικό συσκευών με βούρτσα τριψίματος στις εσωτερικές επιφάνειες του καλύμματος και του κάτω μέρους της συσκευής. Ξεπλύνετε τες και αφήστε τες να στεγνώσουν εντελώς στον αέρα. Δεν πρέπει να χρησιμοποιείτε καυστικά καθαριστικά συσκευών/φούρνων στις βαμμένες επιφάνειες.

• Πλαστικά εξαρτήματα: Πλύνετε τα με χλιαρό σαπουνόνερο και σκουπίστε τα για να στεγνώσουν.

• Δεν πρέπει να χρησιμοποιείτε καθαριστικά τύπου citrisol, λειαντικά καθαριστικά, απολιπαντικά ή συμπτκνωμένα καθαριστικά συσκευών στα πλαστικά εξαρτήματα. Υπάρχει κίνδυνος να προκληθούν ζημιές και βλάβες στα εν λόγω εξαρτήματα.

• Πορσελάνινες επιφάνειες Λόγω της σύνθεσής των επιφανειών αυτών που είναι σαν του γυαλιού, μπορείτε να απομακρύνετε τα περισσότερα υπολείμματα με ένα διάλυμα μαγειρικής σόδας/νερού ή με ένα καθαριστικό ειδικής σύνθεσης. Χρησιμοποιήστε ένα μη λειαντικό καθαριστικό σε μορφή σκόνης για τους επίμονους λεκέδες.

Βαμμένες επιφάνειες: Πλύνετε τις επιφάνειες με ένα ήπιο απορρυπαντικό ή μη λειαντικό καθαριστικό και χλιαρό σαπουνόνερο. Σκουπίστε τες με ένα μαλακό μη λειαντικό πανί για να τις στεγνώσετε.

• Επιφάνειες από ανοξείδωτο χάλυβα: Για να διατηρήσετε την υψηλής ποιότητας εμφάνιση της συσκευής σας, μπορείτε να την πλένετε με ήπιο απορρυπαντικό και χλιαρό σαπουνόνερο και να τη σκουπίζετε με ένα μαλακό πανί για να στεγνώσει μετά από κάθε χρήση. Για τα συσσωρευμένα καμένα λίπη ίσως χρειαστεί να χρησιμοποιήσετε ένα σφουγγαράκι με λειαντικό καθαριστικό πλαστικών. Τρίψτε μόνο προς τη φορά της βαφής του φινιρίσματος για να μην προξενήσετε ζημιά. Μη χρησιμοποιήσετε λειαντικό σφουγγαράκι σε σημεία με γραφικά.

• Επιφάνειες μαγειρέματος: Αν χρησιμοποιείτε βούρτσα με τρίχα για να καθαρίσετε κάποιες από τις επιφάνειες μαγειρέματος, προτού χρησιμοποιήσετε ξανά τη συσκευή βεβαιωθείτε ότι δεν έχουν μείνει τρίχες επάνω στις επιφάνειες μαγειρέματος. Συνιστούμε να μην καθαρίζετε τις επιφάνειες μαγειρέματος προτού κρυώσει η συσκευή.

ΤΕΧΝΙΚΑ ΔΕΔΟΜΕΝΑ  
CHAR-BROIL, GmbH

Όνομασία συσκευής	Μπάρμπεκιου αερίου/Γκριλ αερίου			
Συνολική ονομαστική είσοδος θερμότητας	8,2 kW (597 g/ώρα)			
Κατηγορία αερίου	I3+(28-30/37)	I3B/P(30)	I3B/P(50)	
Αρ. μοντέλου	468301221			468302221
Τύπος αερίου	Βουτάνιο	Προπάνιο	Βουτάνιο, προπάνιο ή μείγματά τους	Βουτάνιο, προπάνιο ή μείγματά τους
Πίεση αερίου	28-30 mbar	37 mbar	28-30 mbar	50 mbar
Μέγεθος εγχυτήρα (διάμετρος σε mm)	Μπάρμπεκιου: 1,04 x 2 τεμ.		Μπάρμπεκιου: 1,04 x 2 τεμ.	Μπάρμπεκιου: 0,92 x 2 τεμ.
Χώρες προορισμού	GB, FR, BE, ES, IT, PT, CZ, SK, CH, CY, GR, IE, LT, LU, LV, SI	DK, NO, NL, SE, FI, IS, CZ, IT, SK, BG, CY, EE, HR, HU, LT, LU, LV, MT, RO, SI, TR	AT, DE, CH, LU, SK	
Παροχή ηλεκτρικού ρεύματος	Μπαταρία συνεχούς ρεύματος (DC) 1,5 V			

#### ΠΡΟΕΙΔΟΠΟΙΗΣΗ!

Οι περισσότερες επιφάνειες αυτής της μονάδας είναι ζεστές όταν χρησιμοποιείτε. Να είστε εξαιρετικά προσεκτικοί. Κρατήστε τους άλλους μακριά από τη μονάδα. Να φοράτε πάντα προστατευτικό ρουχισμό για να αποφύγετε τραυματισμό ή καύση.

Μην μετακινείτε τη μονάδα κατά τη λειτουργία.

Ποτέ μην υποκαθιστάτε βενζίνη, κηροζίνη ή αλκοόλ για εκκινητές ξυλάνθρακα. Στην περίπτωση αυτή, οι αρχικοί κύβοι με βάση την παραφίνη μπορούν να αντικαταστήσουν τον εκκινητή με ξυλάνθρακα. Ποτέ μην χρησιμοποιείτε υγρό εκκίνησης ξυλάνθρακα με ηλεκτρικό εκκινητή.

Μην χρησιμοποιείτε τη συσκευή πάνω ή κοντά σε εύφλεκτες επιφάνειες ή κατασκευές, όπως ξύλινα καταστρώματα, στεγνά φύλλα ή γρασίδι, βινύλιο ή ξύλινο παρακαμπτήριος κλπ.

Μετά από μια πυρκαγιά ξυλάνθρακα εμφανίζεται σβύση, τα αχρησιμοποίητα κάρβουνα μπορούν να διατηρήσουν τη θερμότητα για έως και 24 ώρες, και αν εκτίθενται στον καθαρό αέρα, μπορεί να σκάσει απροσδόκητα στη φλόγα. Οποιοσδήποτε τέτοιες εστίες έξω από την εστία του μπάρμπεκιου δημιουργούν κίνδυνο πυρκαγιάς και μπορούν να ανάψουν εύφλεκτες επιφάνειες, όπως ξύλινα καταστρώματα.

Η μη τήρηση όλων των οδηγιών του κατασκευαστή μπορεί να προκαλέσει σοβαρούς τραυματισμούς ή / και υλικές ζημιές.

#### ΚΙΝΔΥΝΟΣ ΤΟΥ ΜΟΝΟΞΕΙΔΙΟΥ ΤΟΥ ΑΝΘΡΑΚΑ

Η καύση του κάρβουνου μέσα μπορεί να σας σκοτώσει. Αποδίδει μονοξείδιο του άνθρακα, το οποίο δεν έχει οσμή. ΠΟΤΕ μην καίνετε κάρβουνο μέσα σε σπίτια, οχήματα ή σκηνές.

Μην μαγειρεύετε πριν το καύσιμο έχει στάχτη επίστρωσης.

**ΠΡΟΕΙΔΟΠΟΙΗΣΗ!** - αυτό το μπάρμπεκιου θα γίνει πολύ καυτό, ΜΗΝ μετακινήστε το κατά τη λειτουργία.

Μη χρησιμοποιείτε σε εσωτερικούς χώρους.

**ΠΡΟΕΙΔΟΠΟΙΗΣΗ!** ΜΗΝ χρησιμοποιείτε αλκοόλ ή βενζίνη για φωτισμό ή ανανέωση! Χρησιμοποιείτε μόνο πυροσβεστήρες σύμφωνα με το EN 1860-3!

**ΠΡΟΕΙΔΟΠΟΙΗΣΗ!** Κρατήστε τα παιδιά και τα κατοικίδια ζώα μακριά.

Η ΑΔΥΝΑΜΙΑ ΔΙΑΒΑΣΗΣ ΚΑΙ ΠΑΡΑΚΟΛΟΥΘΗΣΗΣ ΤΩΝ ΟΔΗΓΙΩΝ ΓΙΑ ΤΗΝ ΦΩΤΙΣΜΟΣ ΤΩΝ ΚΑΡΚΩΔΙΩΝ ΜΠΟΡΕΙ ΝΑ ΑΠΟΤΕΛΕΙ ΣΕ ΣΟΒΑΡΑ ΖΗΜΙΑ ΠΡΟΣΩΠΙΚΗΣ ΖΗΤΗΣΗΣ Ή ΣΚΟΠΙΜΟΥ ΑΚΙΝΗΤΟΥ.

ΠΑΝΤΑ ΧΡΗΣΙΜΟΠΟΙΕΙΤΕ ΠΡΟΣΟΧΗ ΚΑΤΑ ΤΗ ΧΕΙΡΙΣΜΟΣ ΤΩΝ ΘΕΡΜΑΝΤΙΚΩΝ ΑΝΘΡΩΠΩΝ ΓΙΑ ΝΑ ΑΠΟΦΥΓΕΤΕ ΤΟΝ ΖΗΜΙΑ

ΠΑΝΤΑ ΦΩΤΕΙ Η ΠΥΡΚΑΓΙΑ ΜΕ

## TELEPÍTÉST/ÖSSZESZERELÉST VÉGZŐ SZEMÉLY:

Ezt a kézikönyvet a vevőnél kell hagyni.

### VEVŐ:

Későbbi útmutatáshoz őrizze meg ezt a kézikönyvet.

### Kérdések:

Amennyiben kérdései lennének a készülék összeszerelése vagy használata során, lépjen kapcsolatba a helyi forgalmazóval.

!

## VESZÉLY

!

Ha gázszagot észlel:

1. Zárja el a készülék gázellátását.
2. Szüntessen meg minden nyílt lángot.
3. Nyissa fel a fedelet.
4. Ha továbbra is gázszag érezhető, ne tartózkodjon a készülék közelében, és azonnal hívja fel a gázszolgáltatót vagy a tűzoltóságot.

!

## FIGYELMEZTETÉS

!

1. A készülék illetve más készülékek közelében tilos benzint vagy más tűzveszélyes folyadékot tárolni.
2. A készülék illetve más készülékek közelében tilos nem csatlakoztatott gázpalackot tárolni.

!

## FIGYELEM

!

- A készülék összeszerelése és használatba vétele előtt olvassa el és tartsa be az összes biztonsági szabályt, összeszerelési utasítást és használati valamint karbantartási útmutatót.
- Egyes alkatrészek élesek lehetnek. Védőkesztyű használata ajánlott.

*Zsiradéktüzek*

- **A zsiradéktüzeket nem lehet eloltani a fedél lezárásával. A barbecue készülékek biztonsági okokból jól szellőztek.**
- Zsiradéktűzre tilos vizet önteni, mert az személyi sérüléshez vezethet. Makacs zsiradéktűz kialakulása esetén zárja el az égőfej gombokat és a gázpalackot.
- Ha a készüléket nem tisztították rendszeresen, akkor az a készülék károsodását okozó zsiradéktűzhez vezethet.
- Az előmelegítés illetve az ételmaradékok leégetése során óvatosan kell eljárni, nehogy zsiradéktűz keletkezzen. A zsiradéktüzek megakadályozása érdekében tartsa be a készülék általános tisztítására és valamint az égőszerkezet tisztítására vonatkozó utasításokat. A zsiradéktüzek legegyszerűbben a készülék rendszeres tisztításával előzhető meg.

\* Az előmelegítés illetve az ételmaradékok magas („HI”) állásban történő leégetése közben ne hagyja felügyelet nélkül a barbecue-t. Ha a barbecue-t nem tisztították rendszeresen, akkor az a készülék károsodását okozó zsiradéktűzhez vezethet.

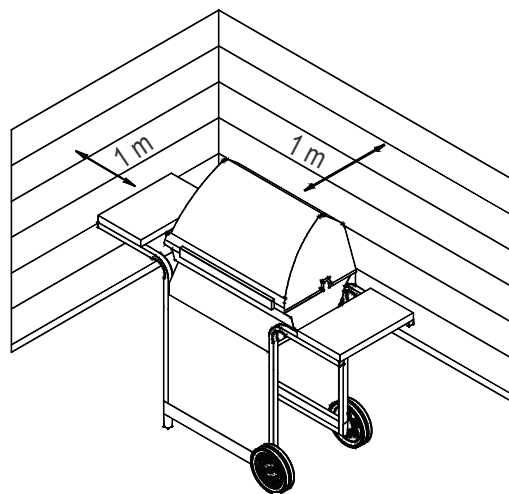
## ! FIGYELMEZTETÉS !

### A készülék biztonságos használatának biztosításához és a súlyos sérülések elkerülése érdekében:

• **KIZÁRÓLAG A SZABADBAN HASZNÁLANDÓ! ZÁRT HELYEN TILOS HASZNÁLNI!**

**A készülék használata előtt olvassa el a használati utasítást. Mindig tartsa be ezeket az utasításokat.**

- Használat közben ne mozgassa a készüléket.
- A szabadon levő alkatrészek nagyon forrók lehetnek. A gyerekeket távol kell tartani. Ne engedje, hogy a készüléket gyerekek kezeljék vagy a készülék közelében játsszanak.
- Használat után zárja el a gázpalackot.
- A készüléket használat közben tűzveszélyes anyagoktól távol kell tartani.
- Hagyja szabadon a készülék oldalán és hátulján levő nyílásokat.
- Rendszeresen ellenőrizze az égőfejek lángját.
- Hagyja szabadon az égőfej venturi nyílásait.
- A készüléket csak jól szellőző helyen szabad használni. TILOS zárt helyen, pl. gépkocsibeállóban, garázsban, teraszon, fedett verandán vagy bármiféle felső épületszerkezet alatt használni!
- **TILOS** a rácsokat alumíniumfóliával vagy bármiféle más anyaggal lefedni! Ezek megakadályozzák az égőfej szellőzését és anyagi kárhoz és/vagy személyi sérüléshez vezető veszélyes körülményeket okoznak.
- **A készüléket a faltól vagy más felülettől legalább 1 m távolságra kell használni.**
- Tartson 3 m távolságot bármilyen éghető anyagtól illetve gyújtóforrástól, pl. forróvízartályt, őrjárgától, bekapcsolt elektromos készülékektől stb.



- **SOHA NE** kísérelje meg begyűjteni az égőfejet, ha a fedél zárva van. A zárt készülékben felgyülemelő begyűjtatlan gáz veszélyes.
- A gázpalack előírt üzemelési helyzetből történő elmozdítása előtt mindig zárja el a gázpalackot és válassza le a nyomásszabályzót.
- A készüléket tilos az előírt helyzetből elmozdított gázpalackkal működtetni.
- Tilos a készüléket módosítani. Bármiféle módosítás szigorúan tilos! A zárt alkatrészeket a felhasználó nem módosíthatja. Tilos a fűvókákat szétszerelni!

## Biztonsági tanácsok

- A gázpalack szelepének kinyitása előtt ellenőrizze a nyomásszabályzó szorosságát.
- Ha nem használja a készüléket, zárja el az összes szabályzó gombot és a gázt.
- Az égési sérülések és fröccsenések elkerülése érdekében használjon hosszú nyelű barbecue eszközöket és edényfogó kesztyűt. A forró alkatrészek kezelése során viseljen védőkesztyűt.
- A melegítő lap és az oldalpolc maximális teherbírása 4,5 kg. A főzésre használt edény minimális átmérője 200 mm, maximális átmérője 260 mm.
- A zsírfogó poharat (amennyiben van ilyen) be kell helyezni a készülékbe és minden használat után ki kell üríteni. Ne távolítsa el a zsírfogó poharat, amíg a készülék teljesen le nem hűlt.
- A fedelet nagyon óvatosan kell felnyitni, mert a készülékből forró gőz távozhat.
- Nagyon óvatosan kell eljárni, ha a közelben gyerekek, öregek vagy háziállatok tartózkodnak.
- Ha azt észleli, hogy a készülékből zsiradék vagy egyéb forró anyag csöpög a szelepre, a tömlőre vagy a nyomásszabályzóra, akkor azonnal zárja el a gázt. Keresse meg a csöpögés okát, szüntesse meg, majd tisztítsa meg és ellenőrizze a szelepet, a tömlőt és a nyomásszabályzót, mielőtt a készüléket tovább használja. Végezzen el szivárgás ellenőrző tesztet.
- Ne tároljon olyan tárgyakat vagy anyagokat a készülék kocsijának belső terében, amelyek akadályozhatják az égéshez szükséges levegő áramlását a szabályzó panel vagy az égőtér aljához.
- A gázpalackot TILOS nyílt lángtól vagy egyéb gyújtóforrástól 3 m távolságon belül leválasztani illetve cserélni.

## A palack elhelyezése

A 6 kg-os vagy annál kisebb henger a földön az oldalsó polc alatt vagy a készülék belsejében helyezhető el a helyén. A nagyobb palackokat csak az alsó polc vagy a grill mögött lehet elhelyezni. A készülékbe helyezett hengerek maximális átmérője 345 mm és maximális magassága 430 mm. A talajra helyezett palackokat tilos a forró lemez alá helyezni.

## A nyomásszabályzóra vonatkozó előírások

Ehhez a készülékhez nyomásszabályzót kell használni. Csak a barbecue-jához mellékelt gáznyomás szabályzót szabad használni. Ha nincs mellékelve nyomásszabályzó, akkor csak az EN16129 szerint minősített (Áramlási sebesség max. 1,5 kg/h) és az ön országához valamint a műszaki adatokban meghatározott gáztípushoz jóváhagyott nyomásszabályzót szabad használni. A nyomásszabályzójával kompatibilis gázpalackot kell használnia.

## A tömlőre vonatkozó előírások

Kizárólag a megfelelő EN szabvány szerint minősített, maximum 1,5 m hosszúságú tömlőt szabad használni. Finnországban a tömlő hossza nem haladhatja meg az 1,2 m-t. Minden használat előtt ellenőrizze, hogy a tömlők nincsenek-e elvágva vagy elkopva. Ellenőrizze, hogy a tömlő ne legyen megcsavarodva. Ügyeljen arra, hogy a csatlakoztatott tömlő ne érjen meleg felületekhez. A készülék használata előtt cserélje le a sérült tömlőket. A tömlőket az országos előírásoknak megfelelően kell lecserélni.

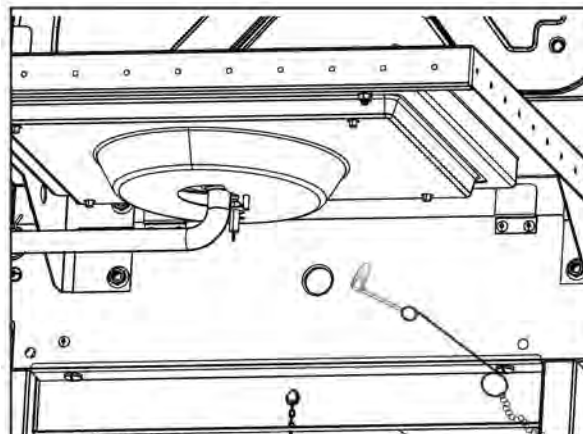
## Gáz begyújtási utasítások - Gyújtófejjel történő begyújtás

- **Begyújtás közben ne hajoljon a barbecue fölé.**
1. Kapcsolja a gázégő szabályzó szelepeket O (Ki) állásba.
  2. Begyújtás illetve újra gyújtás közben nyissa fel a fedelet.
  3. NYISSA KI a gázt a gázpalacknál.
  4. A begyújtáshoz nyomja be és forgassa el az égő gombját **U** (MAGAS) állásba. Azonnal nyomja be és tartsa benyomva az **ELEKTROMOS GYÚJTÓFEJ** gombját, amíg az égőfej be nem gyullad.
  5. Ha a láng 5 másodpercen belül NEM gyullad be, akkor kapcsolja az égőfej szabályzókat O (Ki) állásba, várjon 5 percig, majd ismétlje meg a begyújtási műveletet.
  6. A többi égőfej begyújtásához forgassa el a gombot **U** MAGAS állásba, a **GYÚJTÓFEJES ÉGŐFEJHEZ** legközelebbi égőfejekkel kezdve.



## Gyufával történő begyújtás

- **Begyújtás közben ne hajoljon a barbecue fölé.**
1. Kapcsolja a gázégő szabályzó szelepeket O (Ki) állásba.
  2. Begyújtás illetve újra gyújtás közben nyissa fel a fedelet.
  3. NYISSA KI a gázt a gázpalacknál.
  4. Helyezzen egy gyufaszálat a gyufatartóba (a barbecue oldalpaneljára van függesztve). Gyújtsa meg a gyufát; majd a gyufát a barbecue oldalán levő gyújtó nyíláson bedugva gyújtsa meg az égőt. Azonnal nyomja be és forgassa el az égő gombját **U** (MAGAS) állásba. Ellenőrizze, hogy az égő begyulladt és égve maradt.
  5. Egymás után gyújtsa be a szomszédos égőket a gombok benyomásával és **U** (MAGAS) állásba forgatásával.



**MEGJEGYZÉS:** Lehetséges, hogy az Ön barbecue-ja **NINCS** ellátva melegítő lappal!

#### Melegítő lap gyújtófejjel történő begyújtása

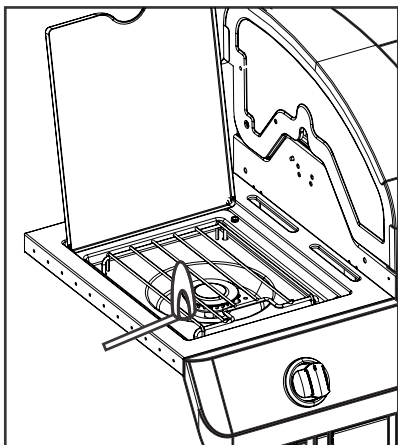
• **Begyújtás közben ne hajoljon a barbecue fölé.**

1. Kapcsolja a gázégő szabályzó szelepeket **O (Ki)** állásba.
2. Begyújtás illetve újra gyújtás közben nyissa fel a fedelet.
3. **NYISSA KI** a gázt a gázpalacknál.
4. Forgassa el a melegítő lap gombját **⬇️ MAGAS** állásba, majd nyomja be és fordítsa el az **ELEKTRONIKUS GYUJTÓFEJ** gombot.
5. Ha a **MELEGÍTŐ** lap 5 másodpercen belül **NEM** gyullad be, akkor kapcsolja az égőfej szabályzókat **O (Ki)** állásba, várjon 5 percig, majd ismétlje meg a begyújtási műveletet.

#### Melegítő lap gyufával történő begyújtása

• **Begyújtás közben ne hajoljon a barbecue fölé.**

1. Kapcsolja a gázégő szabályzó szelepeket **O (Ki)** állásba.
2. Begyújtás illetve újra gyújtás közben nyissa fel a fedelet.
3. **NYISSA KI** a gázt a gázpalacknál.
4. Helyezzen egy égő gyufát az égőfej közelébe. Azonnal nyomja be és forgassa el a melegítő lap gombját **⬇️ (MAGAS)** állásba.  
Ellenőrizze, hogy az égő begyulladt és égve maradt.



#### A szelepek, a tömlő és a nyomásszabályzó szivárgásellenőrzése

A szivárgásellenőrzést az első begyújtás előtt, évente legalább egyszer, és a palack cseréje vagy leválasztása esetén minden alkalommal el kell végezni.

1. Forgassa a készülék összes szabályzó gombját **íó** állásba **O**.
2. Ellenőrizze, hogy a nyomásszabályzó szorosan a gázpalackhoz van csatlakoztatva.
3. Nyissa ki a gázt. Ha sziszegő hangot hall, azonnal zárja el a gázt. A csatlakozásnál nagymértékű szivárgás van. Szüntesse meg, mielőtt tovább lépne.
4. Ecsettel kenjen szappanos oldatot (szappan és víz fele-fele arányú keverékét) a tömlő csatlakozásokra.
5. Ha növekvő buborékok képződnek, akkor az szivárgást jelez. Azonnal zárja el a gázt a palacknál és ellenőrizze a csatlakozások szorosságát. Ha a szivárgást nem lehet megszüntetni, ne kísérelje megjavítani. Kérjen cserealkatrészeket.
6. A szivárgásellenőrzés elvégzése után mindig zárja el a gázt a palacknál.

#### HA A KÉSZÜLÉK NEM GYULLAD BE

- Ellenőrizze, hogy a gáz ki van nyitva a palacknál.
- Ellenőrizze, hogy a palackban van elegendő gáz.
- A gyújtófej szikrázó hangot ad?  
Ha igen, akkor ellenőrizze, hogy van-e szikra az égőfejnél.  
Ha nincs szikra, akkor ellenőrizze, hogy a vezetékek nem sérültek-e illetve nem lazultak-e ki.
- Ha a vezetékek rendben vannak, akkor ellenőrizze, hogy az elektróda nincs-e megrepedve vagy eltörve, és szükség szerint cserélje ki.
- Ha a vezetéken vagy az elektródán ételmaradék van, akkor az elektróda végét szükség szerint tisztítsa meg alkoholos törlővel.
- Szükség esetén cserélje ki a vezetékeket.
- Ha nem hallható hang, akkor ellenőrizze az elemet.
- Ellenőrizze, hogy az elem helyesen van behelyezve.
- Ellenőrizze, hogy a vezeték csatlakozás nem lazult-e ki a modulnál illetve a kapcsolónál.
- Ha a gyújtófej továbbra sem működik, akkor használjon gyufát.



## FIGYELEM



**PÓK FIGYELMEZTETÉS!**

**PÓKOK ÉS PÓKHÁLÓK  
AZ ÉGŐFEJ  
BELSEJÉBEN**



Ha egyre nehezebben gyújtható be a barbecue vagy gyenge a láng, akkor ellenőrizze és tisztítsa ki a venturikat és az égőfejeket.

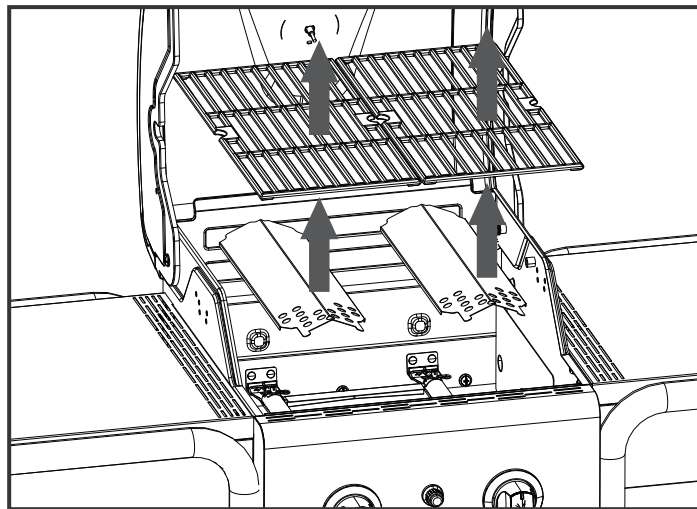
Ismert, hogy a pókok vagy kisméretű rovarok „visszalángolás” problémákat okozhatnak azzal, hogy a barbecue venturi csövébe vagy égőfejébe fészkelve illetve petézve akadályozzák a gáz áramlását. A felhalmozódott gáz a vezérlőpanel mögött begyulladhat. Ez a visszalángolás károsíthatja a barbecue-t és személyi sérülést okozhat. A visszalángolások megakadályozása és a megfelelő működés biztosítása érdekében az égőfejet és a venturi cső egységet mindig ki kell szerelni és ki kell tisztítani, ha a barbecue-t hosszabb időn keresztül nem használták.

ŒÁ ! ã Á @ : } | | æ œ ä q } • i \* [ • Á æ q ] } Á ^ || Á  
^ | @ | ^ ^ : } Æ

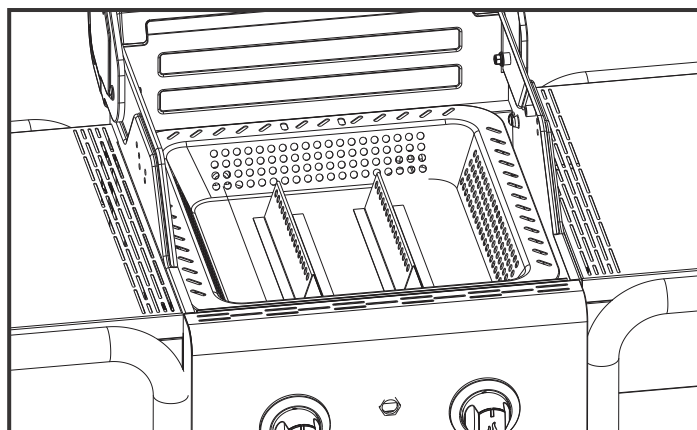
## Faszén begyújtási utasítások

1. Távolítsa el a hideg barbecue sütő rácsait és hőterelő elemeit.
2. Helyezze a faszéntartó tálcát a barbecue-ba.
3. Rakjon be egy réteg faszénre a tálcába; maximum 0,9 kg.
4. Helyezze vissza a sütő rácsokat.
5. Nyitott fedél mellett gyújtsa be az égőket a gáz begyújtási utasítások alkalmazásával.
6. Üzemeltesse a gáz égőfejeket 15 percig **MAGAS** állásban, a fedél lezárt állapotában.
7. Kapcsolja **O** (ki) helyzetbe a szabályozó gombot.
8. Nyissa fel a fedelet, és az étel berakása előtt várjon 5 percig vagy addig, amíg a faszén fehér színűvé nem válik.
9. Ne süssön mindaddig, amíg a tüzelőanyagot nem vonta be hamuréteg.

**MEGJEGYZÉS:** Az első sütés előtt a barbecue-t fel kell melegíteni és a tüzelőanyagot legalább 30 percig vörösizzásban kell tartani.



Távolítsa el a sütő rácsokat és hőterelő elemeket



A faszéntartó tálca helyes elhelyezése



## FIGYELMEZTETÉS



- Faszén használata esetén ne üzemeltesse a gáz égőfejeket 15 percnél hosszabb ideig.
- **FIGYELMEZTETÉS!** Tilos a begyújtáshoz vagy újra gyújtáshoz alkoholt vagy benzint használni! Kizárólag az EN1860-3 szabványnak megfelelő gyújtóeszközöket használjon!
- A faszén begyújtásához soha ne használjon öngyújtóbenzint, petróleumot, benzint vagy alkoholt.
- Soha ne használjon a barbecue-ban fadarabokat vagy gyors tűzindítót.
- A faszénre **KIZÁRÓLAG** a tüztérbe megfelelő módon behelyezett faszéntartó tálca mellett gyújtsa be. Lásd az ábrát.
- Ha a barbecue-t csak gázüzemű barbecue-ként használja, vegye ki és tegye el a faszéntartó tálcát a tüztérből.
- Tilos a gáz égőfejet faszén nélkül a tüztérbe helyezett faszéntartó tálcával üzemeltetni.



## FIGYELMEZTETÉS



**SZÉN-MONOXID VESZÉLY:** A zárt helyiségben égetett faszén halált okozhat. Ebből szénmonoxid keletkezik, ami szagtalan. **SOHA** ne égessen faszénre lakásban, járművekben vagy sátrakban.



## FIGYELMEZTETÉS



Miután úgy tűnik, hogy a faszén tűz elaludt, az el nem égett parázs akár 24 órán keresztül is megtarthatják a hőt és friss levegőt kapva váratlanul lángra kaphatnak. Az ilyen parázs a barbecue tüztérén kívül tűzveszélyt jelentenek, és levegőnek kitéve meggyújthatják az éghető felületeket, pl. fából készült deszkaburkolatokat.

## Tisztításra vonatkozó javaslatok

- A barbecue-t minden faszénes használat után ki kell tisztítani.
- Kitisztítás előtt ellenőrizze, hogy parázs teljesen kialudt és a készülék teljesen lehűlt.
- Vegye ki a faszéntartó tálcát és távolítsa el az összes hamut.

**Megjegyzés:** A faszéntartó tálca használat után elszíneződhet. Ez használat közbeni normális jelenség.



## Az égőfej egység tisztítása

Kövesse a következő utasításokat az égőfej egység alkatrészeinek tisztításához vagy kicseréléséhez, illetve akkor, ha a barbecue nehezen gyújtható be.

1. Zárja el a gázt a szabályzó gomboknál és a gázpalacknál.
2. Távolítsa el a sütő rácsokat és hőterelő elemeket.
3. Távolítsa el az összekötő csöveket és az égőfejeket rögzítő elemeket.
4. Válassza le az elektródát az égőfejről.

**MEGJEGYZÉS:** Az eltávolítás/leválasztás módja az égőfej elrendezésétől függ. A különböző elrendezések az alábbi ábrákon láthatók.

5. Óvatosan felfelé és kifelé emelve távolítsa el mindegyik égőfejet a szelepek nyílásaiból.

Az égőfejek csöveinek tisztításához három módszert javasolunk. Használja az Önnek legkönnyebb módszert.

- A. Egy darab merev drótból hajlíts on egy kampót (egy könnyű ruhaakasztó jól megfelel erre a célra). A kampót dugja át többször mindegyik égőfej csövön.

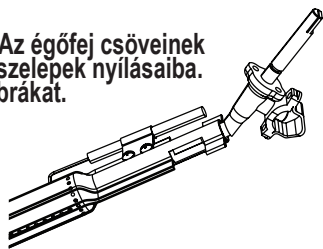


- B. Használjon egy rugalmas fogantyúval rendelkező keskeny palackmosó kefét (ne használjon sárgarézből készült drótkefét). Tolja át a kefét többször mindegyik égőfej csövön.

- C. **Viseljen szemvédő eszközt:** Légtömítővel fúvassa át az égőfej csövét és az égőfej nyílásait. Ellenőrizze mindegyik nyílást, hogy mindegyik nyílásból távozik levegő.

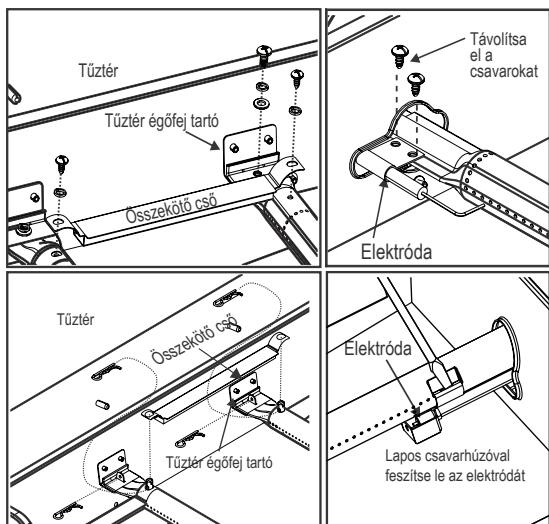
6. Drótkefével távolítsa el az ételmaradékokat és szennyeződések az égőfej teljes felületéről.
7. Egy merev drótdarabbal, pl. egy kiegyenesített gemkapoccsal tisztítsa meg az eltömődött nyílásokat.
8. Ellenőrizze, hogy az égőfej normál elhasználódás agy korrózió miatt nem károsodott-e, mivel a nyílások emiatt nagyobb méretűvé válhatnak. Ha nagyméretű repedést vagy lyukat talál, akkor cserélje ki az égőfejet.

**NAGYON FONTOS:** Az égőfej csöveinek illeszkedniük kell a szelepek nyílásaiba. Lásd a jobb oldali ábrákat.



### Az égőfej megfelelő illeszkedése a szelephez

9. Csatlakoztassa az elektródát az égőfejhez.
10. Óvatosan helyezze vissza az égőfejeket.
11. Csatlakoztassa az égőfejeket a tüztér konzoljaihoz
12. Helyezze vissza az összekötő csöveket és csatlakoztassa az égőfejekhez. Helyezze vissza a sütő rácsokat és hőterelő elemeket.
13. Mielőtt újra használná a barbecue-t, végezzen el egy "Szivárgásellenőrző tesztet" és "Égőfej lángellenőrző tesztet".



## A készülék tárolása

- Tisztítsa meg a sütő rácsokat.
- Tárolja hűvös helyen.
- Ha a készülékhez gázpalack van csatlakoztatva, tárolja a szabadban, jól szellőző helyen, gyermekek elől elzárva.
- Takarja le a készüléket, ha a szabadban tárolja.
- A készüléket **KIZÁRÓLAG** akkor tárolja zárt helyen, ha a gázpalackot elzárta, leválasztotta a készülékről, és azt szabadban tárolja.
- A készüléket tárolásból elővéve ellenőrizze, hogy nincsenek-e eltömődve az égőfejek.

## A készülék általános tisztítása

- A készüléket gyakran, lehetőleg minden sütés után meg kell tisztítani. Ha a barbecue sütő felületeit drótkefével tisztítja, akkor a barbecue használata előtt ügyeljen arra, hogy ne maradjanak drótdarabok a sütő felületeken. A készüléket nem ajánlott forró állapotában tisztítani. A készüléket legalább évente egyszer meg kell tisztítani.
- Barna és fekete színű zsiradék- és füstmaradványokat ne tévessze össze a készülék festékével. A gázüzemű barbecue belső felületei nincsenek gyárilag lefestve (és azokat nem szabad befesteni). A készülék fedelének és aljának a megtisztításához használjon erős mosószeres vizes oldatot vagy készülék tisztító szert és súrolókefét. Öblítse le, és hagyja, hogy a levegőn teljesen megszáradjon. Ne alkalmazzon lúgos sütőtisztító szert a festett felületekre.
- Műanyagból készült alkatrészek: Mossa le meleg szappanos vízzel, és törölje szárazra.
- A műanyagból készült alkatrészek ne alkalmazzon citrisol-t, dörzsölő hatású tisztítószeret, zsírtalanító szereket vagy koncentrált sütőtisztító szert. Ezek az alkatrészek károsodását és meghibásodását okozhatják.
- Porcelán felületek: Az üvegszerű anyagszerkezetnek köszönhetően a legtöbb szennyeződés vizes szódabikarbóna oldattal vagy külön erre a célra készült tisztítószerrel letörölhető. A makacs foltok eltávolítására használjon nem dörzsölő hatású súrolóport.
- Festett felületek: Mossa le gyenge mosószerrel agy nem dörzsölő hatású tisztítószerrel és meleg szappanos vízzel. Törölje szárazra puha, nem dörzsölő hatású törlőruhával.
- Rozsdamentes acél felületek: A készülék minőségi megjelenésének megőrzéséhez minden használat után mossa le gyenge mosószerrel és meleg szappanos vízzel, majd törölje szárazra puha ruhával. A ráégett zsírmadékok eltávolításához szükség lehet dörzsölő hatású műanyag szivacs használatára. A károsodás elkerülése érdekében csak a csiszolt felület irányában használja. Ne használjon dörzsölő hatású szivacsot az ábrákat tartalmazó felületeken.
- Sütő felületek: Ha a barbecue sütő felületeit drótkefével tisztítja, akkor a barbecue használata előtt ügyeljen arra, hogy ne maradjanak drótdarabok a sütő felületeken. A készüléket nem ajánlott forró állapotában tisztítani.

MŰSZAKI ADATOK  
CHAR-BROIL, GmbH

A készülék elnevezése	Gáz barbecue/Gáz grill			
Összes névleges leadott hőteljesítmény	8,2 kW (597 g/h)			
Gáz kategória	I3+(28-30/37)	I3B/P(30)	I3B/P(50)	
Modell szám	468301221			468302221
Gáz típusa	Bután	Propán	Bután, propán vagy azok keverékei	Bután, propán vagy azok keverékei
Gáznyomás	28-30 mbar	37 mbar	28-30 mbar	50 mbar
Injektor mérete (átmérő, mm)	Barbecue: 1,04 x 2 db.		Barbecue: 1,04 x 2 db.	Barbecue: 0,92 x 2 db.
Célországok	GB, FR, BE, ES, IT, PT, CZ, SK, CH, CY, GR, IE, LT, LU, LV, SI	DK, NO, NL, SE, FI, IS, CZ, IT, SK, BG, CY, EE, HR, HU, LT, LU, LV, MT, RO, SI, TR	AT, DE, CH, LU, SK	
Áramforrás	1,5 V Egyenáramú elem			

**FIGYELEM!**

A készülékben lévő legtöbb felület forró, ha használatban van. Nagy óvatossággal járjon el. Tartsa távol a többiektől a készüléket A sérülések elkerülése érdekében mindig viseljen védőruházatot.

Ne mozgassa a készüléket működés közben.

Soha ne cserélje benzint, kerozint vagy alkoholt a szén indítóhoz. Ebben az esetben paraffin alapú starter kockákat helyettesíthetnek a szén indítóval. Soha ne használjon szénelindító folyadékot elektromos indítással.

Ne használja ezt a készüléket éghető felületeken vagy olyan épületek közelében, mint például fafedézetek, száraz levelek vagy fű, vinil vagy faapríték stb.

Miután egy szénszén tűnik ki, az elfogyasztott paraszatartály 24 órán keresztül megtartja a hőt, és ha friss levegőnek van kitéve, váratlanul felrobbanhat. A grillező tűzijátékán kívül minden olyan tűzveszély, amely tűzveszélyt okozhat, és éghető felületeket gyújtogathat, például fadobozokat.

Ha nem követi az összes gyártó utasításait, súlyos személyi sérülést és / vagy anyagi kárt okozhat.

**SZÉN-MONOXID VESZÉLY**

A szén belsejében lévő égő fészkek megölhet. Hiányzó szénmonoxidot ad le. SOHA ne égesse faszén házak, járművek vagy sátrak alatt.

Ne főzzük, mielőtt az üzemanyag bevonó hamuval rendelkezik.

**FIGYELEM!** - ez a grill nagyon meleg lesz, NE mozgatni a működés közben.

Ne használja beltérben.

**FIGYELEM!** NE használjon szellemét vagy benzint a világításhoz vagy újra világításhoz! Csak az EN 1860-3 szabványnak megfelelő tűzoltók használhatók!

**FIGYELEM!** Tartsa távol a gyerekeket és a háziállatokat.

**A SZERKESZTÉS MEGELŐZÉSÉRE VONATKOZÓ HASZNÁLAT ÉS A KÖVETKEZŐ HASZNÁLATOK SÚLYOS SZEMÉLYES SÉRÜLÉST ÉS VAGY VAGY INGATLANSÁG KÁROKÉRT NEM TESZES.**

**MINDIG HASZNÁLJON VIGYÁZATOT, HOGY A HOT COALOK KEZELÉSE A SÉRÜLÉS MEGSZÜNTETÉSÉRE.**

**MINDIG FONTJA A TŰZET**

## ЗА ЛИЦЕТО, КОЕТО ИНСТАЛИРА / СГЛОБЯВА БАРБЕКЮТО:

Това ръководство да се остави на потребителя.

### ПОТРЕБИТЕЛ:

Запазете ръководството за бъдещи справки.

### Въпроси:

Ако имате въпроси по време на сглобяването или при използването на барбекюто, обърнете се към вашия местен дилър.



## ОПАСНОСТ



Ако усетите миризма на газ:

1. Спрете газа към барбекюто.
2. Изгасете всеки открит пламък.
3. Отворете капака.
4. Ако миризмата продължава да се усеща, отдръпнете се от барбекюто и се обадете на вашия доставчик на газ или на пожарната.



## ПРЕДУПРЕЖДЕНИЕ



1. Да не се съхранява бензин или други запалими течности в близост до барбекюто или до други уреди.
2. Газова бутилка, която не е свързана за използване към барбекюто, да не се съхранява в близост до него или до други уреди.



## ВНИМАНИЕ



- Прочетете и следвайте всички указания за безопасност, инструкциите за сглобяване, използване и поддръжка преди да започнете сглобяването и употребата на барбекюто.
- Някои части може да са с остри ръбове. Препоръчва се носенето на предпазни ръкавици.

### Пламъци от Мазнината

- Не е възможно да се изгасят пламъците от мазнината като се затвори капака. Барбекютата са добре вентилирани с цел безопасност.
- Да не се излива вода върху пламъци от мазнината, защото това може да доведе до телесна повреда. Ако мазнината гори продължително време, завъртете контролните ключове и газовата бутилка на изключено положение.
- Ако барбекюто не се почиства редовно, е възможно възникването на огън от останалата мазнина. Когато изгаряте остатъци от храна, внимавайте да не възникне такъв огън. Следвайте инструкциите за общо почистване на уреда и на горелките. Най-добрият начин да не се получат пламъци от мазнината е редовното почистване на барбекюто.
- Да не се оставя барбекюто без надзор когато се претопля храна или се изгарят хранителни остатъци на НІ. Ако барбекюто не се почиства редовно, може да възникне огън от мазнината и да го повреди.



## ПРЕДУПРЕЖДЕНИЕ

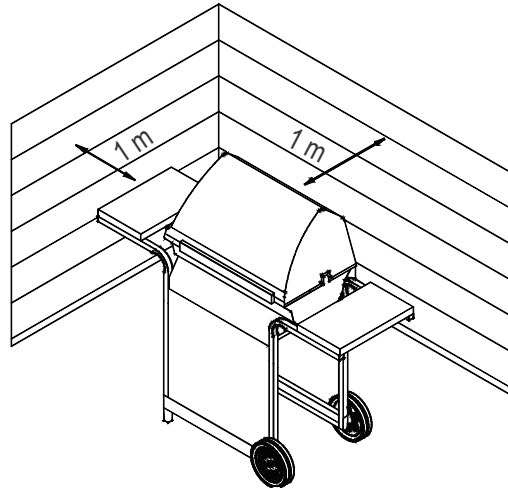


### За безопасно използване на вашето барбекю и за да се избегне нараняване:

- **ДА СЕ ИЗПОЛЗУВА САМО НА ОТКРИТО. НИКОГА ДА НЕ СЕ ИЗПОЛЗУВА В ЗАКРИТО ПОМЕЩЕНИЕ!**

Прочетете инструкциите преди използване. Винаги следвайте тези инструкции.

- Да не се мести барбекюто по време на ползуване.
- Някои части може да са горещи. Дръжте малки деца настрана. Не позволявайте на малки деца да боравят с барбекюто или да играят в близост до него.
- След употреба, спрете подаването на газ от бутилката.
- Не дръжте запалими материали в близост до барбекюто когато то се използва.
- Да не се блокират отворите встрани и отзад на уреда.
- Проверявайте редовно пламъците на горелките.
- Да не се блокират отворите на вентурите на горелката.
- Барбекюто да се използва само на добре проветрено място. НИКОГА да не се използва в затворено място като гараж, покрит вход, покрит вътрешен двор, или под навес.
- Да не се използват дървени въглища или керамични брикети в газово барбекю.
- **ДА НЕ СЕ** покриват скарите с алуминиево фолио или с друг материал. Това ще блокира вентилацията на горелките и може да предизвика потенциално опасна ситуация, която да доведе до щети на имущество и/или до телесна повреда.
- **Барбекюто да се използва на най-малко 1 м разстояние от стена или друга повърхност.**
- Да има 3 м отстояние от запалими предмети или от източници на възпламеняване като контролни светлини на водни нагреватели, открити електроуреди, и т.н.



- НИКОГА не се опитвайте да запалите горелка със затворен капак. Натрупването на незапалим газ в затворено пространство е опасно.
- Винаги спирайте газа при бутилката и разкачайте регулатора преди да преместите газовата бутилка от посочената позиция.
- Никога не пускайте барбекюто, ако газовата бутилка не е на точното място.
- Да не се изменя конструкцията на барбекюто. Всяка промяна е строго забранена. Пломбирани части да не се манипулират от потребителя. Да не се разкачат инжектори!

## Съвети за безопасност

- Проверете регулатора дали е затегнат преди да отворите газовата бутилка.
- Изключете всички контролни ключове и газта когато барбекюто не се използва.
- Използвайте прибори с дълга дръжка и ръкавици за фурна за да се избегнат изгаряния и пръски. Сложете си предпазни ръкавици когато боравите с горещи части.
- Максималното натоварване за котлона и на страничната лавица е 4.5 кг. Минималният диаметър на съд за готвене е 200 мм, а максималният – 260 мм.
- Съдът за мазнина (ако има такъв) трябва да се постави в барбекюто и да се изпразва след всяко ползване. Да не се изважда докато барбекюто не е изстинало напълно.
- Внимавайте като отваряте капака защото може да излезе гореща пара.
- Бъдете много внимателни когато наблизко има деца, възрастни хора или животни.
- Ако забележите мазнина или друг горещ материал да капе от барбекюто на вентил, маркуч или регулатор, спрете веднага подаването на газ. Вижте каква е причината, поправете я, след това почистете и инспектирайте вентила, маркуча и регулатора преди да продължите. Направете тест за течове.
- Не съхранявайте предмети или материали вътре в барбекюто, които може да блокират въздушния поток за горенето към долната страна на контролния панел или на огнището.
- ДА НЕ СЕ разкачва или сменя газовата бутилка на по-малко от 3 м от открит огън или друг източник на възпламеняване.

## Поставяне на газовата бутилка

Цилиндър от 6 кг или по-малко може да бъде поставен на земята под страничния шелф или вътре в уреда на предвиденото място. По-големи цилиндри трябва да се поставят под страничния шелф или само зад барбекюто. Цилиндри, поставени в уреда, трябва да имат максимален диаметър 345 mm и максимална височина 430 mm. Цилиндри, поставени на земята, не трябва да се поставят под горещата плоча.

## Изисквания за регулатора

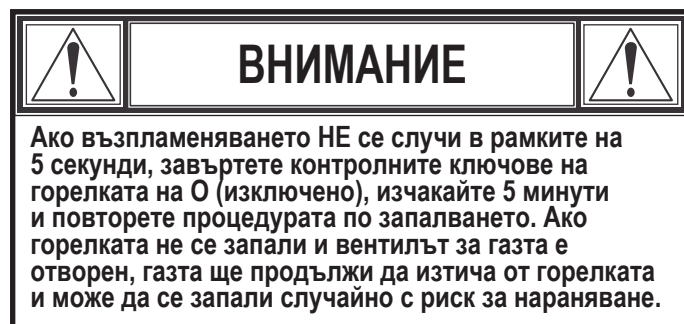
Трябва да се използва регулатор при работа с барбекю. Да се използва само регулаторът, доставен заедно с вашето барбекю. Ако не е доставен, тогава да се използва регулатор, който е сертифициран в съответствие с EN16129 (с максимален дебит 1.5 кг/ч.) и одобрен за вашата държава, с посочен газ в техническите данни. Трябва да използвате газова бутилка, съвместима с регулатора.

## Изисквания за маркуча

Да се използва само одобрен маркуч, сертифициран според съответния EN стандарт и да не надвишава 1.5 м. Преди всяко използване на барбекюто, проверете дали маркучите не са нарязани или износени. Уверете се, че маркучът не е прегънат. Проверете дали свързаният маркуч не се допира до топли повърхности. Заменете повредените маркучи преди употреба. Заменете маркуч, ако се налага от държавните изисквания.

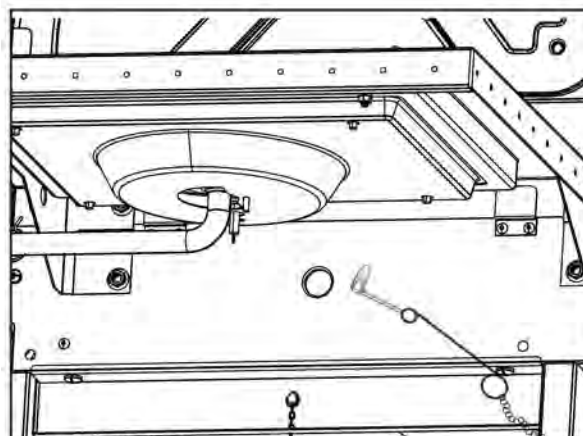
## Инструкции за Запалване с Газ - Запалване на възпламенителя

- **Не се облягайте на барбекюто когато го запалвате.**
1. Завъртете контролните клапани на газовата горелка на ○ (изключено).
  2. Отворете капака по време на запалване или при повторен опит.
  3. Отворете газта ON при LP газовата бутилка.
  4. За да се запали газта, натиснете и завъртете ключа за запалване на горелката на ↓ HIGH. Веднага след това, натиснете и задръжте ключа ↗ ELECTRONIC IGNITOR докато горелката не се запали.
  5. Ако НЕ се запали в рамките на 5 секунди, завъртете контролните ключове на горелката на ○ (изключено), изчакайте 5 минути и повторете процедурата по запалването.
  6. За да запалите останалите горелки, завъртете ключа за запалване на горелката на ↓ HIGH, започвайки първо с горелките, които са най-близко до ↗ IGNITION BURNER.



## Запалване с кибрит

- **Не се облягайте на барбекюто когато го запалвате.**
1. Завъртете контролните клапани на газовата горелка на ○ (изключено).
  2. Отворете капака по време на запалване или при повторен опит.
  3. Отворете газта ON при LP газовата бутилка.
  4. Поставете клечката кибрит в държача (висящ от страничния панел на барбекюто). Запалете клечката кибрит; след това запалете горелката като пхнете клечката кибрит в дупката за запалване с кибрит от страни на барбекюто. Веднага натиснете и завъртете ключа за запалване на горелката на ↓ HIGH. Уверете се, че горелката светва и остава запалена.
  5. Запалете съседните горелки последователно като натискате и завъртате контролните ключове до положение ↓ HIGH.



## **ЗАБЕЛЕЖКА: Вашето барбекю може да няма котлон!**

### **Запалване на котлона**

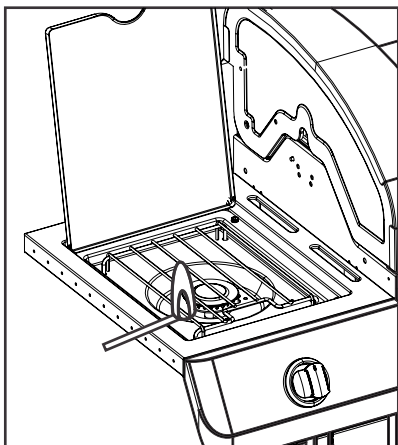
#### **• Не се облягайте на барбекюто когато го запалвате.**

1. Завъртете контролните клапани на газовата горелка на **O** (изключено).
2. Отворете капака по време на запалване или при повторен опит.
3. Отворете газта **ON** при LP газовата бутилка.
4. Завъртете ключа на котлона на положение **HIGH**, натиснете и задръжте бутона **ELECTRONIC IGNITOR**
5. Ако котлонът **НЕ СЕ** запали в рамките на 5 секунди, завъртете ключа на **O** (изключено), изчакайте 5 минути и повторете процедурата по запалването.

### **Запалване на котлона с кибрит**

#### **• Не се облягайте на барбекюто когато го запалвате.**

1. Завъртете контролните клапани на газовата горелка на **O** (изключено).
2. Отворете капака по време на запалване или при повторен опит.
3. Отворете газта **ON** при LP газовата бутилка.
4. Поставете запалена клечка кибрит близо до горелката. Кибрит в държача (висящ от страничния панел на барбекюто). Веднага завъртете ключа за запалване на котлона на положение **HIGH**. Уверете се, че горелката светва и остава запалена.



## **Тест за течове от вентили, маркуч и регулатор**

Направете тест за течове преди първата употреба на барбекюто, най-малко един път годишно, и всеки път когато газовата бутилка се сменя или разкача.

1. Завъртете всички контролни ключове на **O** (изключено).
2. Уверете се, че регулаторът е здраво свързан за газовата бутилка.
3. Пуснете газта. Ако чуете свистящ звук, спрете веднага газта. Има голям теч в свързката. Поправете го преди започнете отново.
4. Сложете сапунен разтвор (смес от половин сапун и половин вода) върху свързките на маркуча.
5. Ако се покажат уголемяващи се мехурчета, значи има теч. Спрете веднага газта при газовата бутилка и проверете дали свързването е здраво затегнато. Ако течът не може да бъде спряен, не се опитвайте да поправите. Обадете се да замените частите.
6. Винаги спирайте газта при бутилката след тест за течове.

## **АКО БАРБЕКЮТО НЕ СЕ ЗАПАЛИ**

- Проверете дали газта е пусната при бутилката.
- Уверете се, че има газ в бутилката.
- Възпламенителят издава ли прашащ шум?  
Ако да, проверете за електрическа искра при горелката.  
Ако няма искра, проверете за повредени или разхлабени кабели.
- Ако кабелите са наред, проверете за напукан или счупен електрод, и го заменете, ако има нужда.
- Ако кабел или електроди са покрити с остатъци от мазнина, почистете върха на електрода със спирт, ако има нужда.
- Заменете кабели, ако има нужда.
- Ако няма звук от електрическа искра, проверете батерията.
- Уверете се, че батерията е инсталирана правилно.
- Проверете за разхлабена свързка на кабели при модула и ключа.
- Ако възпламенителят продължава да не работи, тогава използвайте кибрит.

## ВНИМАНИЕ

### ПРЕДУПРЕЖДЕНИЕ ЗА ПАЯЦИ!

#### ПАЯК И ПАЯЖИНИ В ГОРЕЛКА

Ако вашето барбекю се запалва трудно или пламъкът е слаб, проверете и почистете вентурите и горелките.

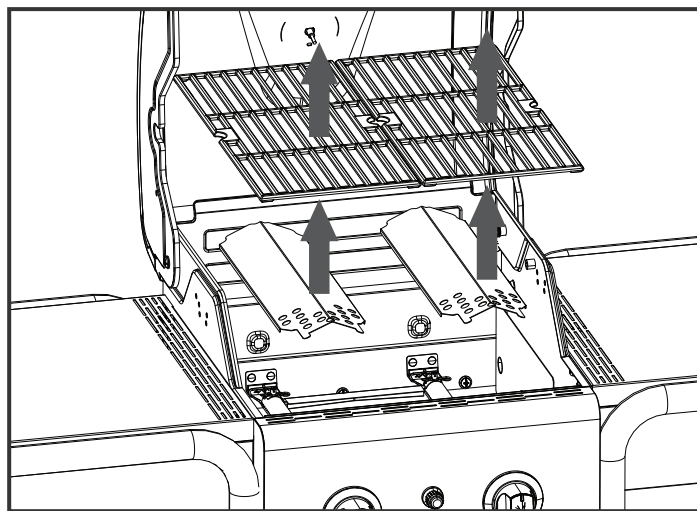
Известно е, че паяци или малки насекоми създават проблеми, правейки гнезда и снасяйки яйца във вентурите на барбекюто или в горелката като възпрепятствуват потока на газта. Това може да повреди барбекюто и да предизвика нараняване. За да се избегне това, горелката и тръбите на вентури би трябвало да се извадят и почистят когато барбекюто не е било използвано дълго време.

Á Á Á Á Á Á Á Á Á Á

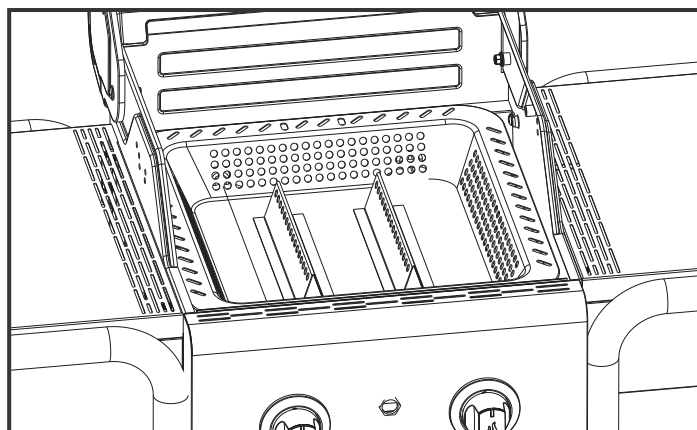
## Инструкции за Запалване с дървени въглища

1. Извадете скарите и покривалата на горелките когато барбекюто е студено.
2. Поставете табла за дървени въглища в барбекюто.
3. Сложете един слой от дървени въглища в таблата, максимум 0,9 кг.
4. Поставете отново скарите.
5. При отворен капак, запалете горелките като използвате Инструкции за Запалване с Газ.
6. Оставете горелките да работят на 🔥 HIGH за 15 минути при затворен капак.
7. Завъртете контролните ключове на ○ (изключено).
8. Отворете капака и изчакайте 5 минути, или дървените въглища да побелеят, преди да поставите храна.
9. Да не се готви преди да се е образувал слой пепел.

**ЗАБЕЛЕЖКА:** Барбекюто трябва да се загрее и дървените въглища да станат червено горещи за най-малко 30 минути преди да започнете да готвите.



Извадете скарите и покривалата на горелките



Правилно поставяне на таблата за дървени въглища



### ПРЕДУПРЕЖДЕНИЕ



- Когато използвате дървени въглища, газовите горелки да не работят повече от 15 минути.
- **ПРЕДУПРЕЖДЕНИЕ:** Да не се използва алкохол или петрол за запалване или при повторен опит. Използвайте само запалки, които отговарят на стандарта EN1860-3!
- Никога да не се използва течност за запалване, керосин, бензин или алкохол за запалване на дървените въглища.
- Не слагайте парчета дърво в барбекюто.
- Използвайте дървени въглища САМО при правилно поставена табла. Вижте фигурата.
- Когато барбекюто работи само на газ, извадете таблата за дървени въглища.
- Да не се пуска газова горелка когато няма дървени въглища в таблата.



### ПРЕДУПРЕЖДЕНИЕ



**РИСК ОТ ВЪГЛЕРОДЕН ОКИС:** Изгарянето на дървени въглища в затворено помещение може да ви убие. Отделя се въглероден окис, който няма мирис. НИКОГА не изгаряйте дървени въглища вътре в къщата, в автомобили или палатки.



### ПРЕДУПРЕЖДЕНИЕ



След като огънят от дървените въглища изглежда угаснал, неизгорелите остатъци може да останат горещи до 24 часа и, ако има свеж въздух, те може да се запалят неочаквано. Всякакви такива неизгорели остатъци извън барбекюто представляват риск за пожар при запалими повърхности като дървени декове.

## Препоръки за Почистване

- Почиствайте барбекюто след всяко използване на дървени въглища.
- Уверете се, че въглищата са изгорели напълно и барбекюто е изстинало преди да го почистите.
- Извадете таблата за дървени въглища и почистете пепелта.

**Забележка:** Таблата за дървени въглища може да се обезцвети след употреба. Това е нормално.

## Почистване на Горелката

Следвайте инструкциите за почистване и/или подмяна на части от горелката, или ако барбекюто се запалва трудно.

1. **Спрете газта при контролните ключове и LP бутилката.**
2. Извадете скарите и покривалата на горелките.
3. Извадете носещите тръби и закрепването на горелките.
4. Разкачете електрода от горелката.

**ЗАБЕЛЕЖКА:** Начина на изваждане / разкачане ще зависи от конфигурацията на горелката. Вижте различните конфигурации в илюстрациите, дадени по-долу.

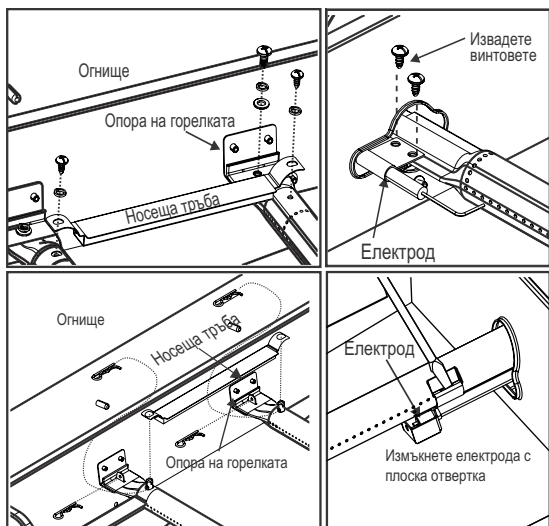
5. Внимателно извадете всяка горелка от отворите на клапана. Ние препоръчваме три начина за почистване на тръбите на горелката. Използвайте този, който е най-лесен за вас.
  - A. Прегънете твърда жица (лека закачалка е много подходяща) в малка кука. Прекарайте куката през всяка тръба на горелката няколко пъти.
  - Б. Използвайте тясна четка за бутилки с огъваща се дръжка (да не се използва телена четка). Прекарайте четката през всяка тръба на горелката няколко пъти
  - В. **Да се носят предпазни очила:** Използвайте сешоар за да вкарате въздух в тръбата на горелката и извън отворите. Проверете всеки отвор за да сте сигурни, че въздухът излиза от всяка дупка.
6. С телена четка изчистете външната повърхност на горелката от мазнина и мръсотия.
7. Почистете всички блокирани отвори с твърда жица, като например разгънат кламер.
8. Проверете горелката за повреди, дължащи се на нормално износване и корозия, някои отвори може да са се разширили. Ако има големи пукнатини или дупки, заменете горелката.

**МНОГО ВАЖНО:** Тръбите на горелката трябва да се захванат отново в отворите на клапана. Вижте илюстрациите вдясно.

Правилно горелка – към – клапан захващане



9. Закачете електрода към горелката.
10. Внимателно поставете отново горелките.
11. Прикачете горелките към скобите на огнището.
12. Поставете отново носещите тръби и ги закачете към горелките. Поставете отново покривалата и скарите.
13. Преди да използвате барбекюто отново, направете тест за течове и проверка на пламъка на горелката.



## Съхраняване на вашето барбекю

- Почистете скарите.
- Съхранявайте го на сухо място.
- Когато газовата бутилка е свързана към барбекюто, да се съхранява на добре проветрявано място и извън обсега на деца.
- Покрийте барбекюто, ако го съхранявате на открито.
- Поставете барбекюто в затворено помещение САМО, ако газовата бутилка е затворена и разкачена, извадена от барбекюто и се съхранява отвън.
- Когато го изваждате от склада, проверете дали някоя горелка не е задръстена.

## Общо почистване на барбекюто

- Почистявайте често барбекюто, за предпочитане след всяка употреба. Ако се използва телена четка, уверете се, че не са останали от нея по скарите преди да включите барбекюто. Не се препоръчва да се почистват повърхностите, когато барбекюто е още горещо. Трябва да се почиства най-малко един път годишно.
- Да не се бърка кафяво или черно натрупване от мазнина и пушек за боя. Вътрешната част на газовите барбекюта не се боядисват във фабриката (и никога не би трябвало да се боядисват). Да се използва силен разтвор от почистващ препарат и вода, или почистващ препарат за барбекюта с четка на вътрешните части на капака и дъното. Изплакнете и оставете да изсъхне напълно. Да не се прилага разяждащ препарат за барбекю / фурна на боядисаните повърхности.
- Пластмасови части: Измийте с топла сапунена вода и избършете до сухо. - Да не се използва ситризол, абразивни почистващи препарати, обезмаслителни или концентрирани почистващи препарати за барбекю на пластмасови части. Това може да ги увреди.
- Порцеланови повърхности: Поради подобния на стъкло състав, по-голямата част от остатъците може да бъде избърсана с разтвор от готварска сода / вода или с почистващ препарат за такива повърхности. Да се използва неабразивна търкаща прах за по-упорити петна.
- Боядисани повърхности: Измийте с мек или неабразивен почистващ препарат и топла сапунена вода. Избършете до сухо с мека неабразивна тъкан.
- Повърхности от неръждаема стомана: За да поддържате висококачествения вид на вашето барбекю, измийте с мек почистващ препарат и топла сапунена вода, и избършете с мека тъкан след всяка употреба. Остатъци от мазнина може да налагат използването на абразивен пластмасов почистващ тампон. Да се използва само в една посока за да не се нарани повърхността. Да не се използва абразивен тампон на места с графити.
- Скарите за готвене: Ако се използва телена четка, уверете се, че не са останали от нея по скарите преди да включите барбекюто. Не се препоръчва да се почистват повърхностите, когато барбекюто е още горещо.

ТЕХНИЧЕСКИ ДАННИ  
ЧАР-БРОЙЛ ООД

Наименование на барбекюто	Барбекю на газ / Грил на газ			
Обща номинална топлинна мощност	8,2 kW (597 г/ч)			
Газ Клас	I3+(28-30/37)	I3B/P(30)	I3B/P(50)	
Модел Номер	468301221			468302221
Тип на Газта	Бутан	Пропан	Бутан, Пропан или техни смеси	Бутан, Пропан или техни смеси
Налягане на газта	28-30 мбар	37 мбар	28-30 мбар	50 мбар
Размер на инжектора (диам. в мм)	Барбекю: 1,04 x 2 бр.		Барбекю: 1,04 x 2 бр.	Барбекю: 0,92 x 2 бр.
Дестинация (Държави)	GB, FR, BE, ES, IT, PT, CZ, SK, CH, CY, GR, IE, LT, LU, LV, SI	DK, NO, NL, SE, FI, IS, CZ, IT, SK, BG, CY, EE, HR, HU, LT, LU, LV, MT, RO, SI, TR		AT, DE, CH, LU, SK
Електрозахранване	Батерия 1.5VDC			

**ВНИМАНИЕ!**

Повечето повърхности на това устройство са горещи, когато се използват. Внимавайте много. Пазете другите от уреда винаги носете предпазно облекло, за да предотвратите нараняване или изгаряне.

Не движете това устройство по време на работа.

Никога не замествайте бензин, керосин или алкохол за стартер с въглен. В този случай стартерните кубове, базирани на парафин, могат да бъдат заменени с стартер с въглен. Никога не използвайте стартерната течност с въглен с електрически стартер.

Не използвайте това устройство на или близо до горими повърхности или конструкции като дървени палуби, сухи листа или трева, винилови или дървени обшивки и др.

След изгарянето на дървени въглища се появяват изгасени, неконсумирани жарги, които могат да задържат топлина до 24 часа и ако бъдат изложени на чист въздух, могат неочаквано да избухнат в пламъци. Такива камъни извън камината на барбекюто създават опасност от пожар и могат да възпламенят горими повърхности като дървени палуби.

Неспазването на всички указания на производителя може да доведе до сериозни наранявания и / или материални щети.

**ОПАСНОСТ НА МОНОКСИД НА ВЪГЛИЩА**

Изгарянето на въглен вътре може да те убие. Той отделя въглероден моноксид, който няма мирис. НИКОГА не изгаряйте дървени въглища в домове, превозни средства или палатки.

Не готвайте преди горивото да има пепел.

**ВНИМАНИЕ!** - това барбекю ще стане много горещо, НЕ го преместете по време на работа.

Не използвайте на закрито.

**ВНИМАНИЕ!** НЕ използвайте спирт или бензин за осветяване или повторно осветяване! Използвайте само пожарогасители, отговарящи на EN 1860-3!

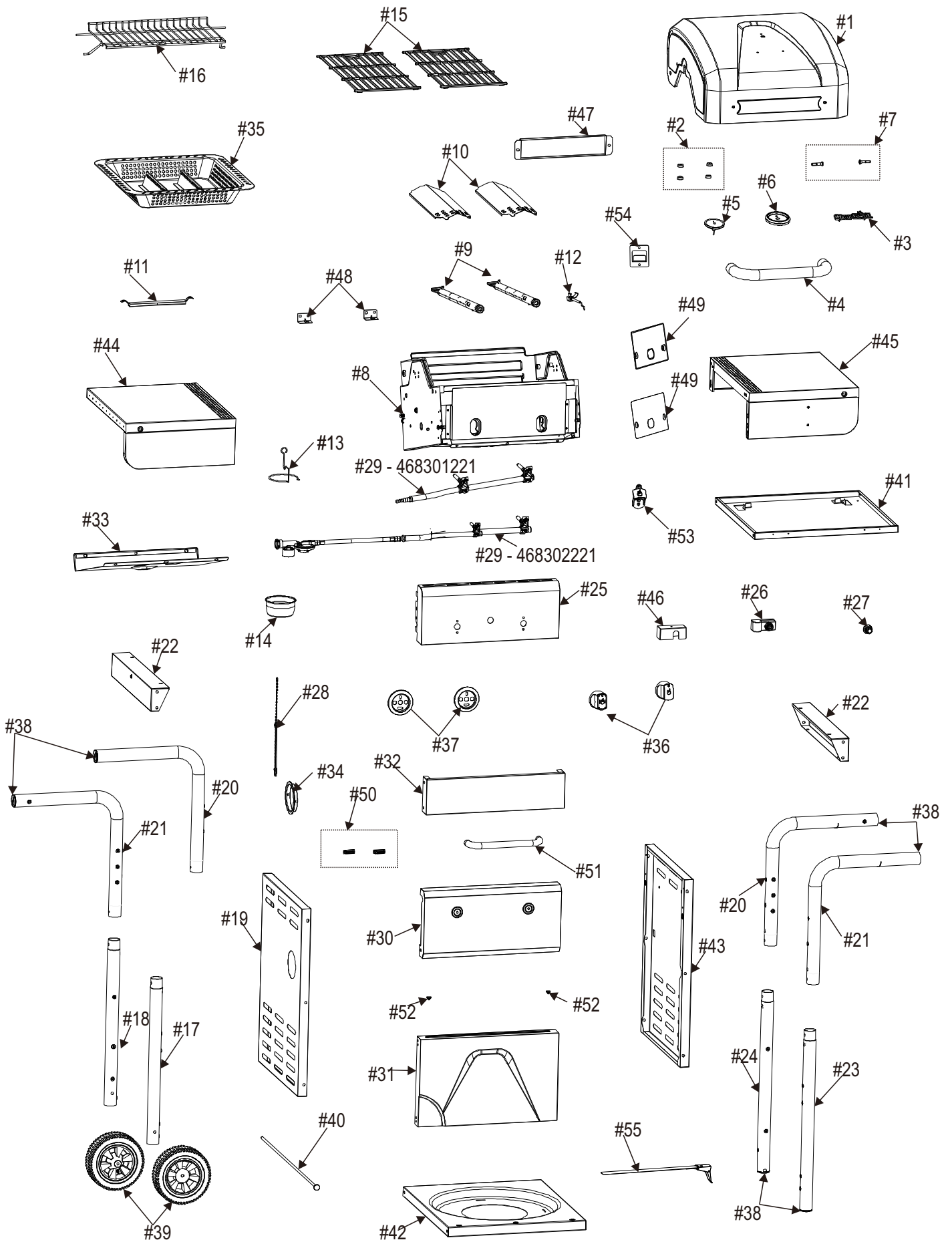
**ВНИМАНИЕ!** Дръжте децата и домашните любимци настрана.

**НЕПОСРЕДСТВОСТТА ЗА ЧЕТЕНЕ И ПОСЛЕДВАНЕ НА УКАЗАНИЯ ЗА ОСВЕТЛЕНИЕТО НА МАТЕРИАЛ МОЖЕ ДА ПРОИЗТИЧАТ В СЕРИОЗНИ УВРЕЖДЕНИЯ ЗА ЛИЧНА ИЛИ ИКОНОМИЧЕСКА СТРАНА.**

**ВНИМАТЕЛНО ИЗПОЛЗВАЙТЕ ВНИМАНИЕ, КОГАТО ТРЯБВА ДА СЕ РАБОТИТЕ ГОРЕЩИТЕ ВЪГЛЕРОДИ ЗА ПРЕДОТВРАТЯВАНЕ НА ВРЕДА ВСИЧКИ СВЕТАТ С ПОЖАР**



# PARTS DIAGRAM



## PARTS LIST

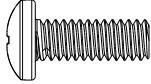
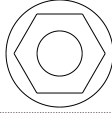
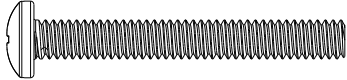
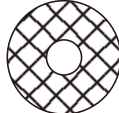

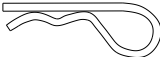
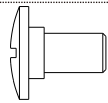
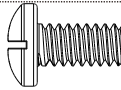
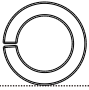
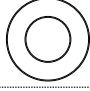


Key	Qty	Description
1	1	TOP LID
2	4	LID BUMPER
3	1	LOGO PLATE
4	1	HANDLE
5	1	TEMPERATURE GAUGE
6	1	BEZEL, TEMPERATURE GAUGE
7	1	HARDWARE F/ TOP LID
8	1	FIREBOX
9	2	BURNER
10	2	HEAT TENT
11	1	FLAME CARRYOVER TUBE
12	1	ELECTRODE
13	1	GREASE CUP CLIP
14	1	GREASE CUP
15	2	COOKING GRATE
16	1	SWINGAWAY RACK
17	1	LEG, LEFT LOWER FRONT
18	1	LEG, LEFT LOWER REAR
19	1	LEFT SIDE PANEL, F/ CART
20	2	UPPER CART FRAME A
21	2	UPPER CART FRAME B
22	2	UPPER CART BRACE
23	1	LEG, RIGHT LOWER FRONT
24	1	LEG, RIGHT LOWER REAR
25	1	CONTROL PANEL
26	1	ELECTRONIC IGNITION MODULE
27	1	BUTTON, F/ EI MODULE
28	1	MATCH HOLDER
29	1	VALVE ASSEMBLY
30	1	FRONT PANEL, DOOR, NO HANDLE
31	1	FRONT PANEL, LOWER
32	1	FRONT PANEL, UPPER
33	1	HEAT SHIELD, TANK
34	1	GROMMET, F/ REGULATOR HOLE
35	1	CHARCOAL TRAY
36	2	CONTROL KNOB
37	2	BEZEL, F/ CONTROL KNOB
38	6	END CAP, F/ LEG
39	2	WHEEL

Key	Qty	Description
40	1	AXLE
41	1	STORAGE TRAY
42	1	BOTTOM SHELF
43	1	RIGHT SIDE PANEL, F/ CART
44	1	LEFT SHELF ASSEMBLY
45	1	RIGHT SHELF ASSEMBLY
46	1	HEAT SHIELD, F/ EI MODULE
47	1	HEAT SHIELD, F/ HANDLE
48	2	BURNER BRACE
49	2	HEAT SHIELD, F/ FIREBOX
50	1	MAGNET, F/ DOOR
51	1	HANDLE, F/ DOOR
52	2	BUMPER, F/ DOOR
53	1	BOTTLE OPENER
54	1	GRATE TOOL HOLDER
55	1	TANK STRAP

### NOT Pictured

...	1	HARDWARE PACK
...	1	PRODUCT GUIDE, EUROPE
...	1	GRATE TOOL

## HARDWARE LIST

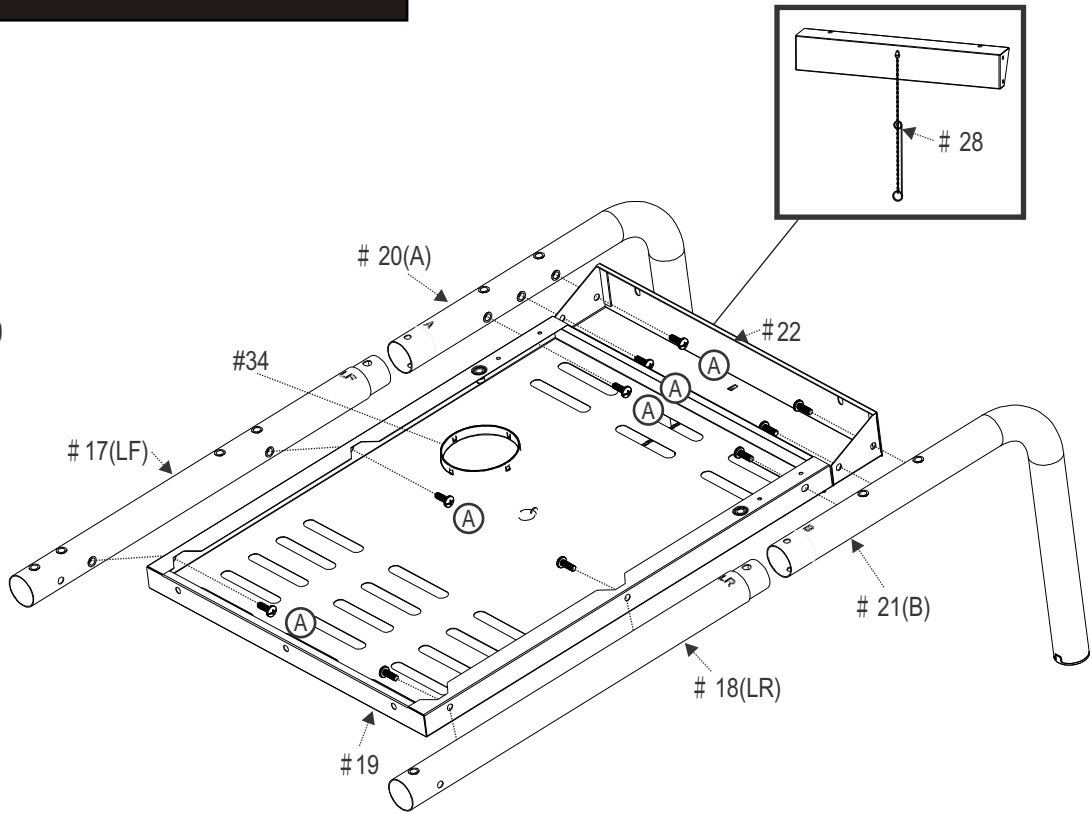
Key	Description	Picture	Qty
A	1/4-20x3/4" Machine Screw		48
B	1/4-20 Flange Nut		8
C	1/4-20x2" Machine Screw		4
D	7x15 Fiber Washer		4
E	Bushing		1
F	Hitch Pin Clip		1
L	Shoulder Screw		2
M	#10-24x3/8" Machine Screw		2
N	5mm Lock Washer		2
P	5mm Flat Washer		2
Q	#10-24x3/8" Screw		2
R	#10-24 Flange Nut		2

# ASSEMBLY

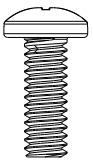
1



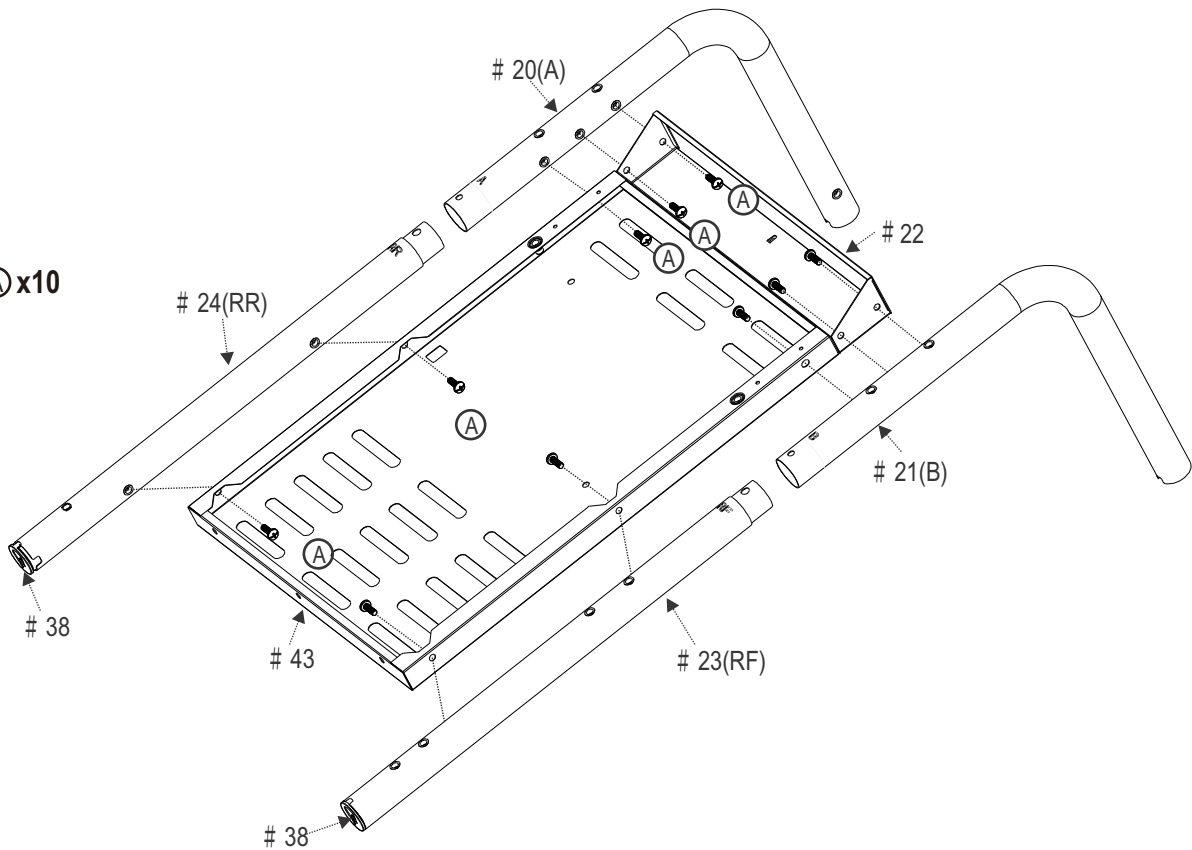
#A x10



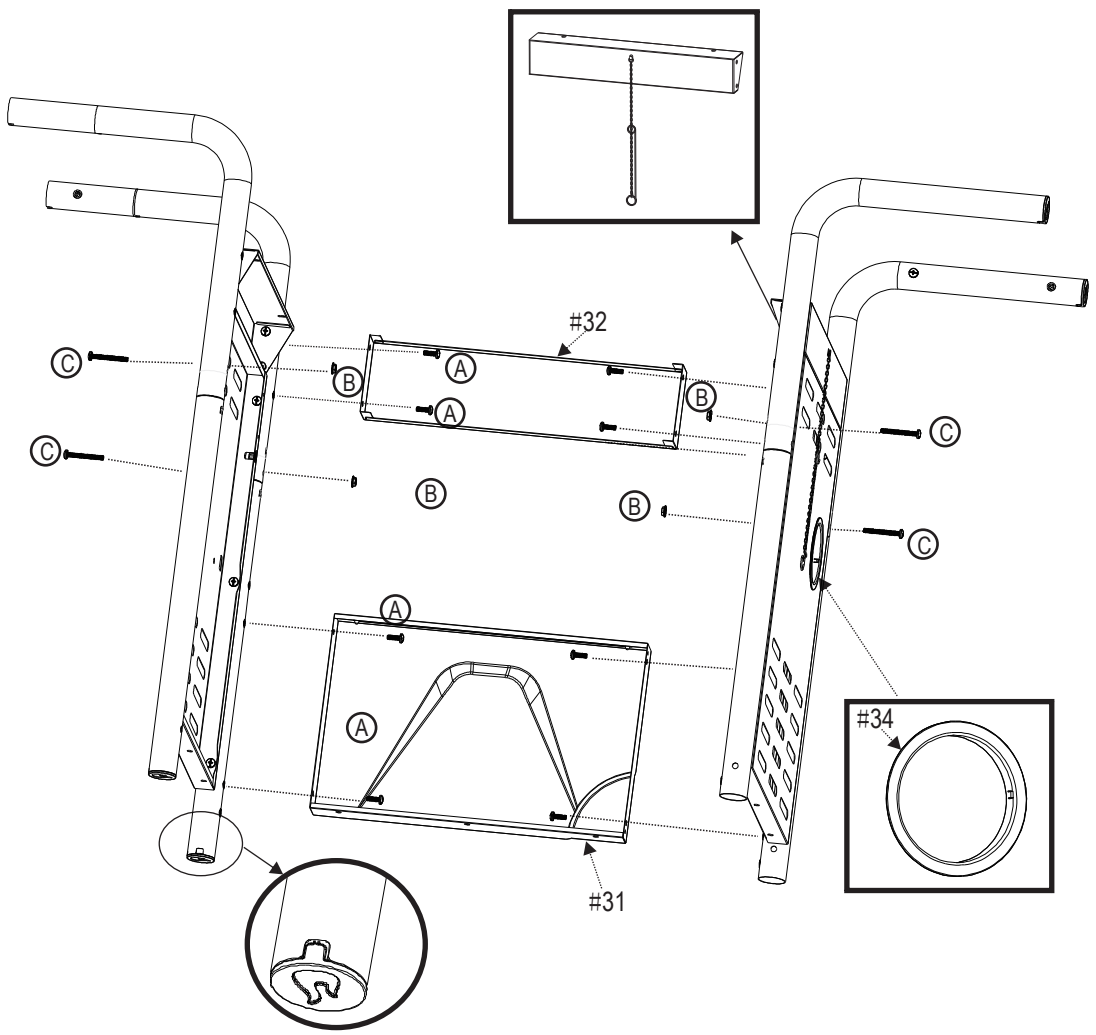
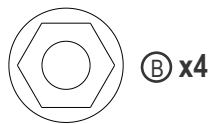
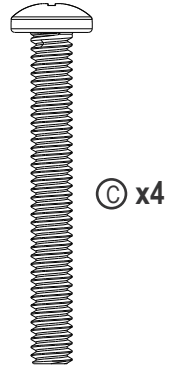
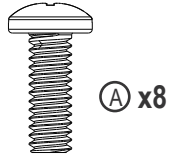
2



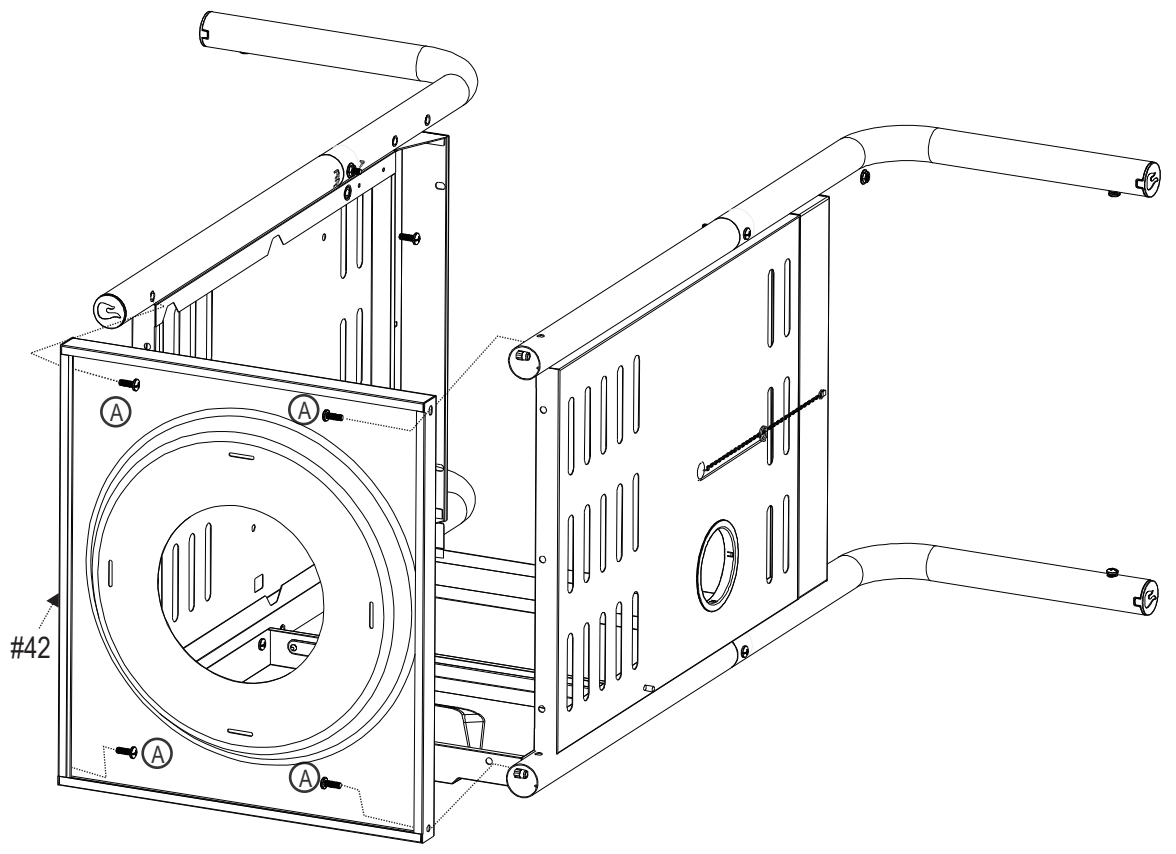
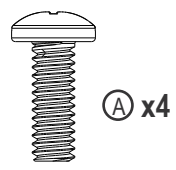
#A x10



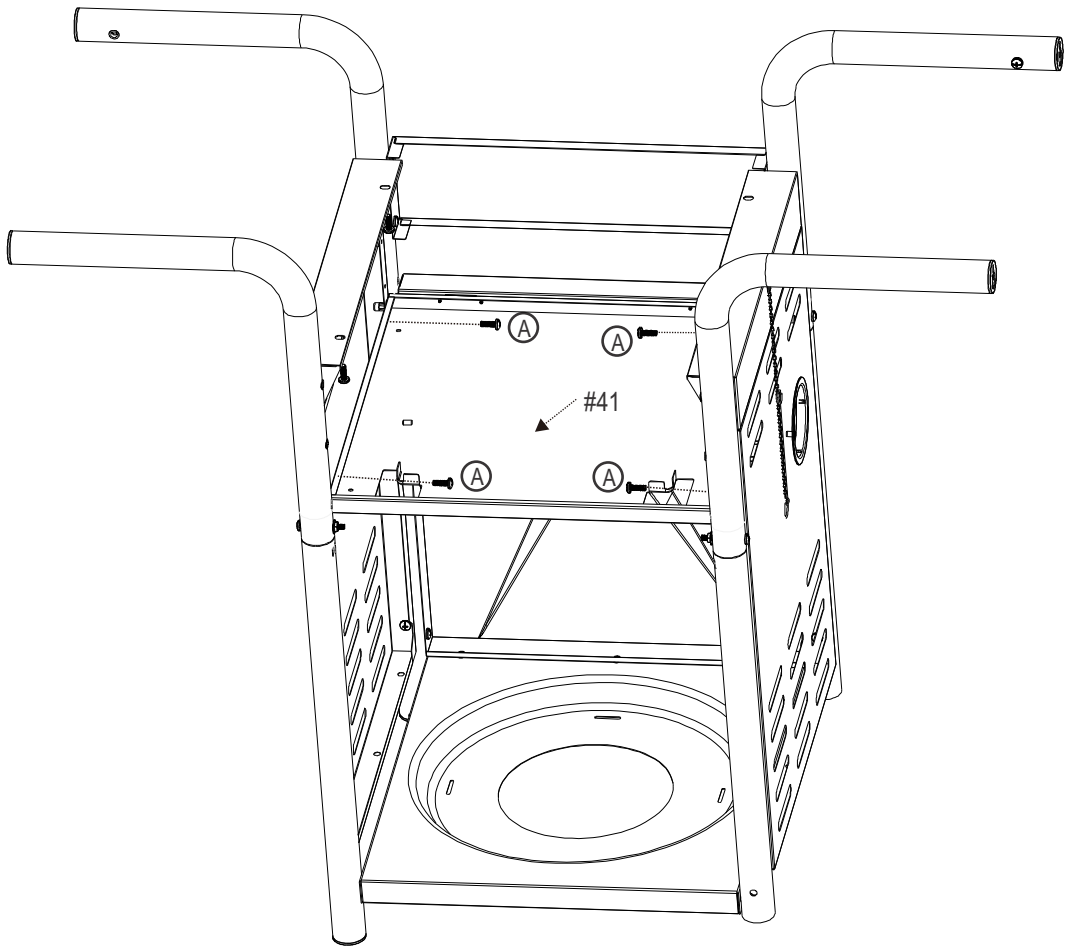
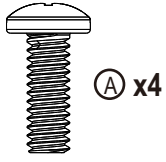
**3**



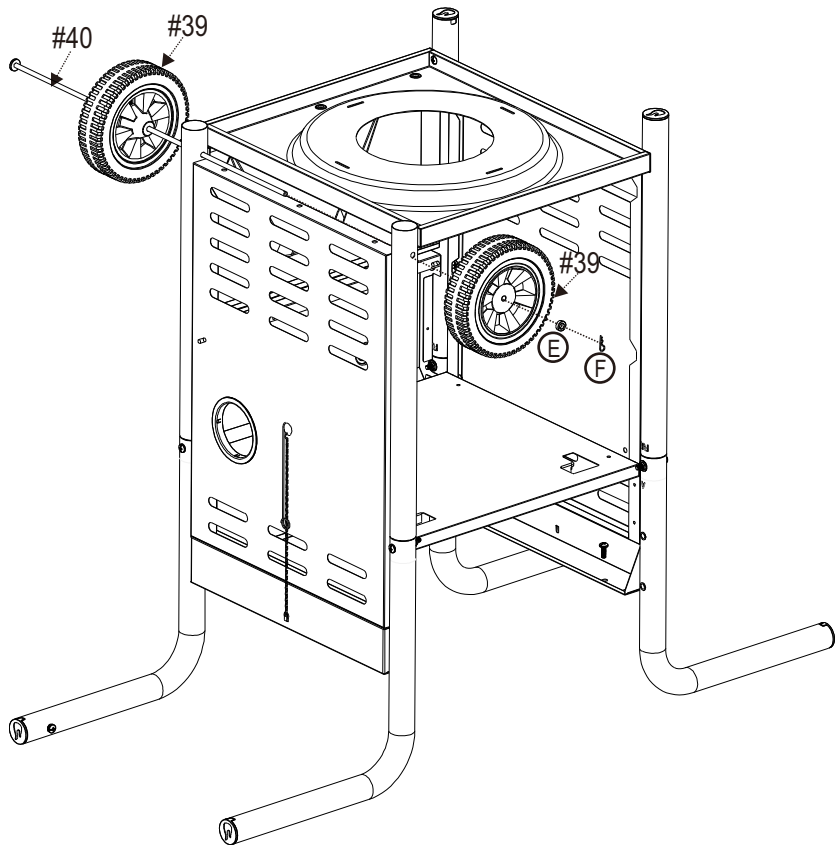
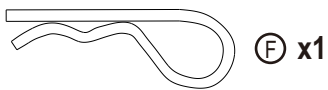
**4**



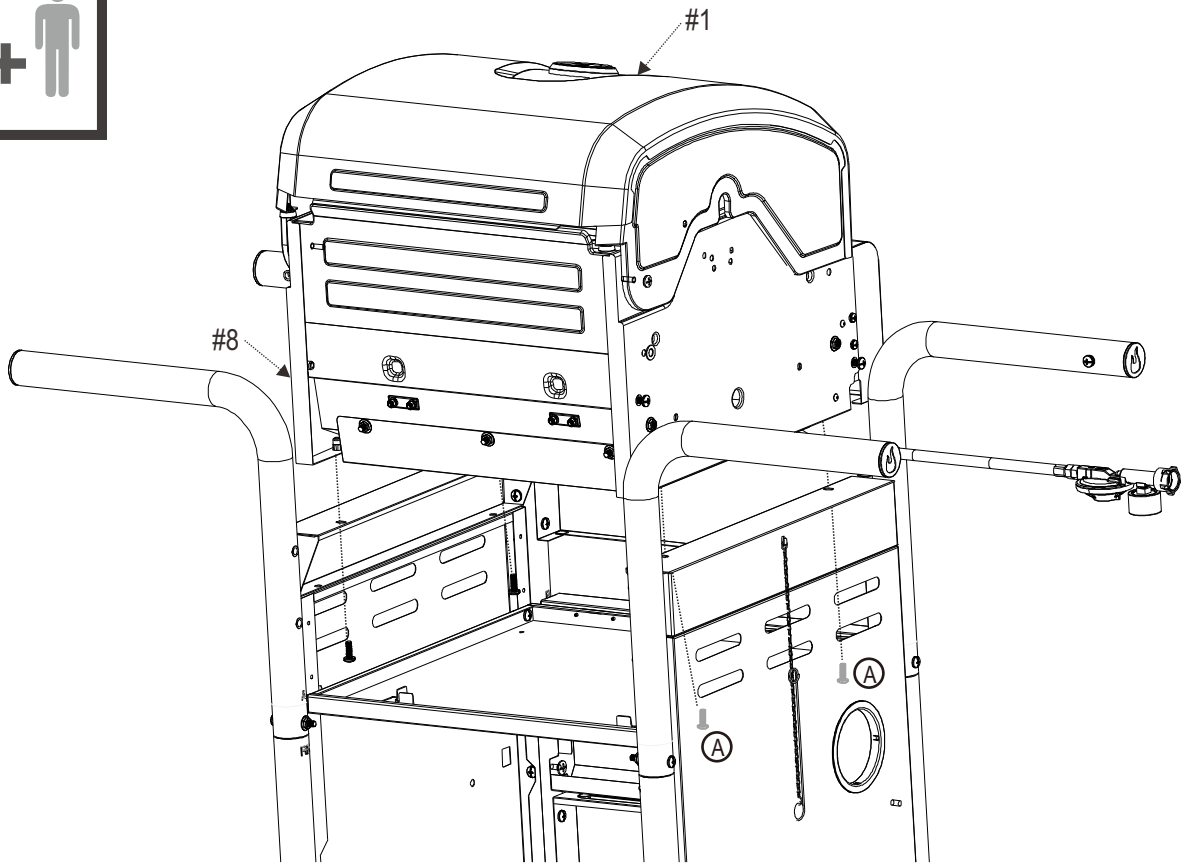
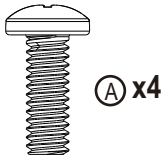
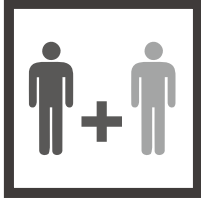
5



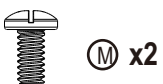
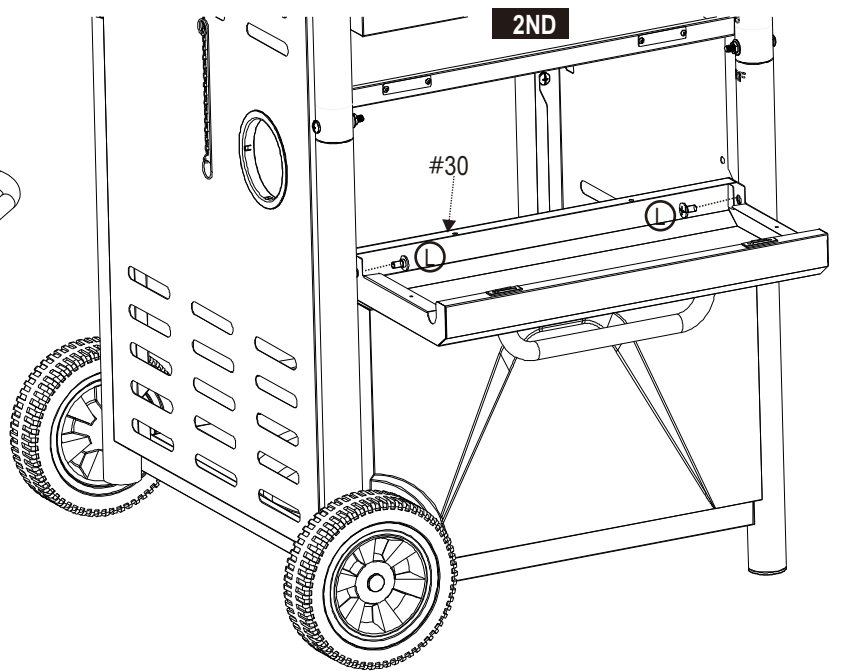
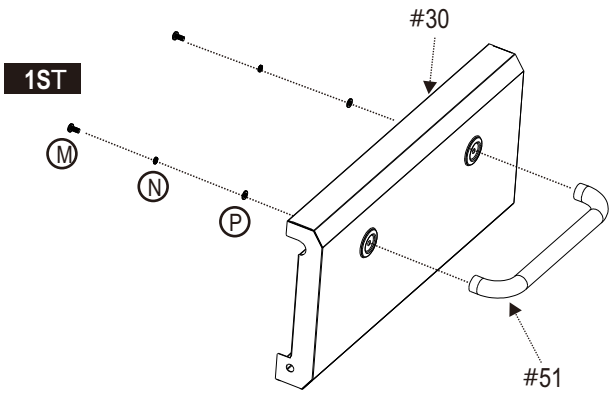
6



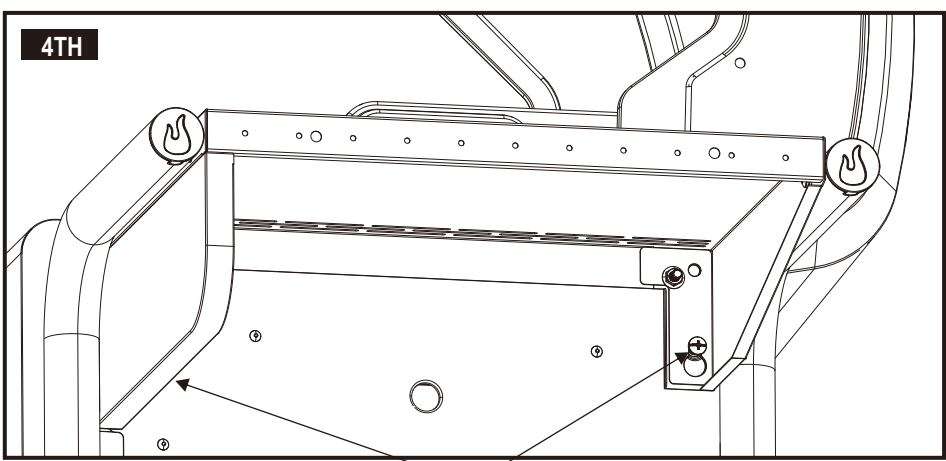
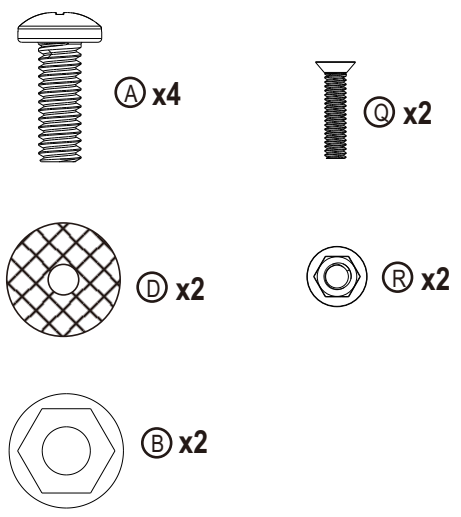
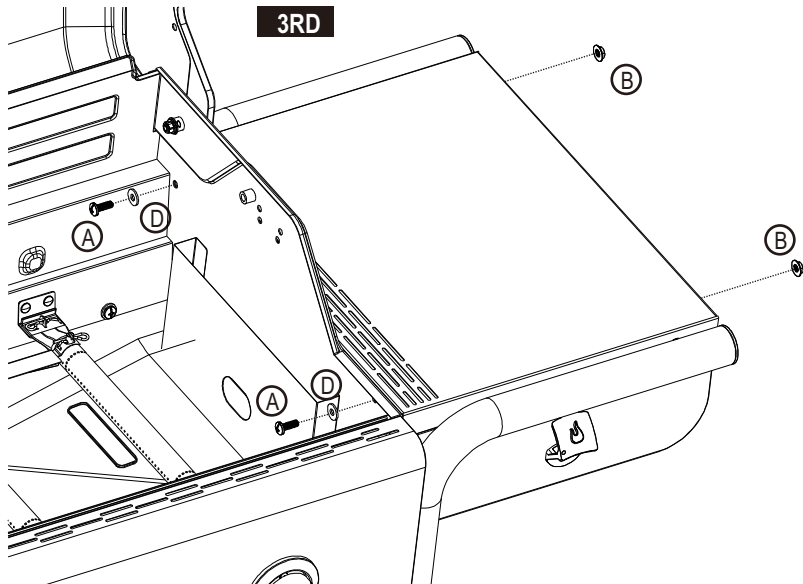
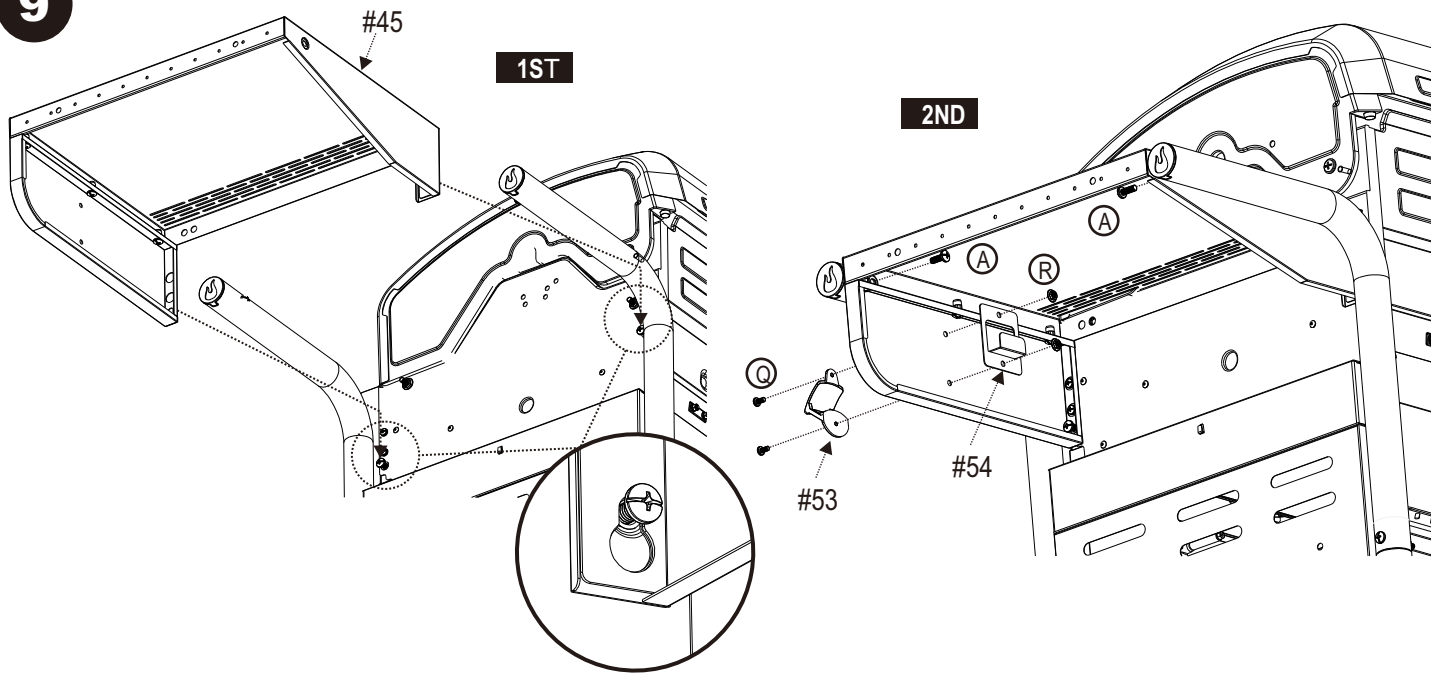
7



8



9

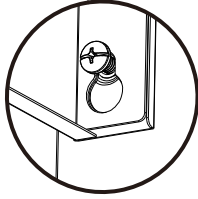
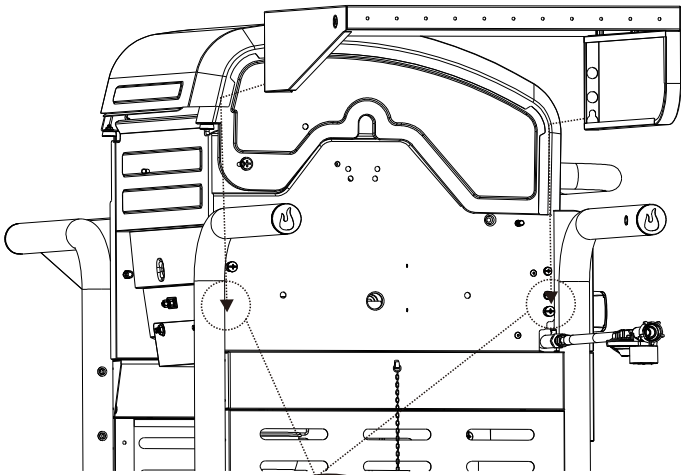


Tighten the screws

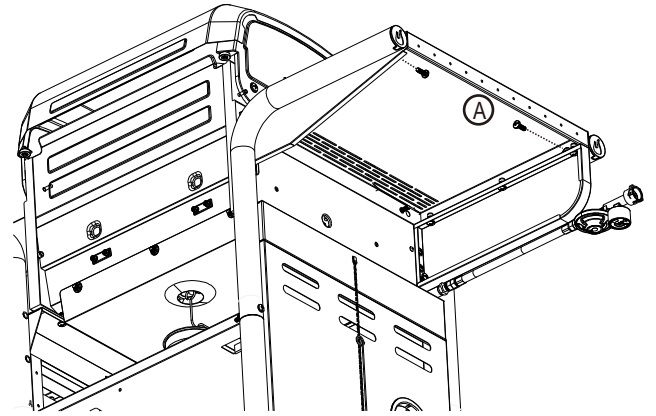


1ST

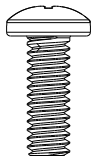
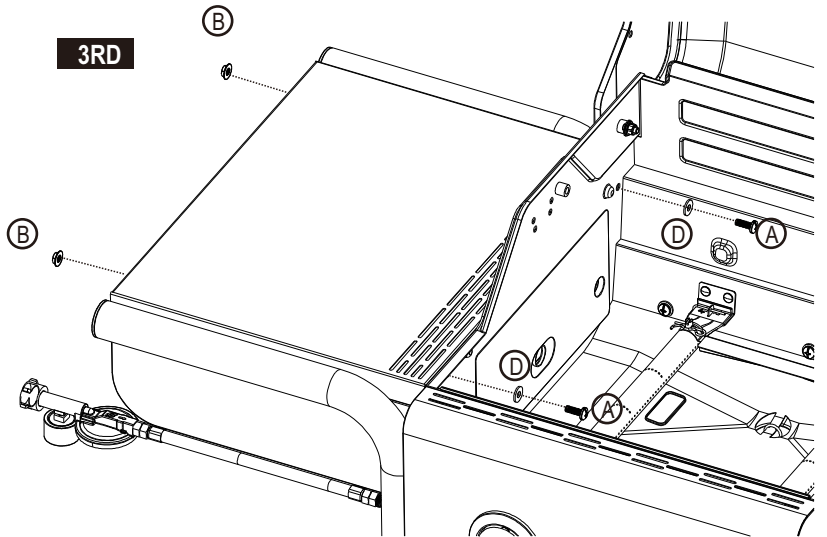
#44



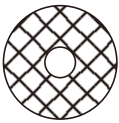
2ND



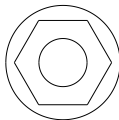
3RD



A x4

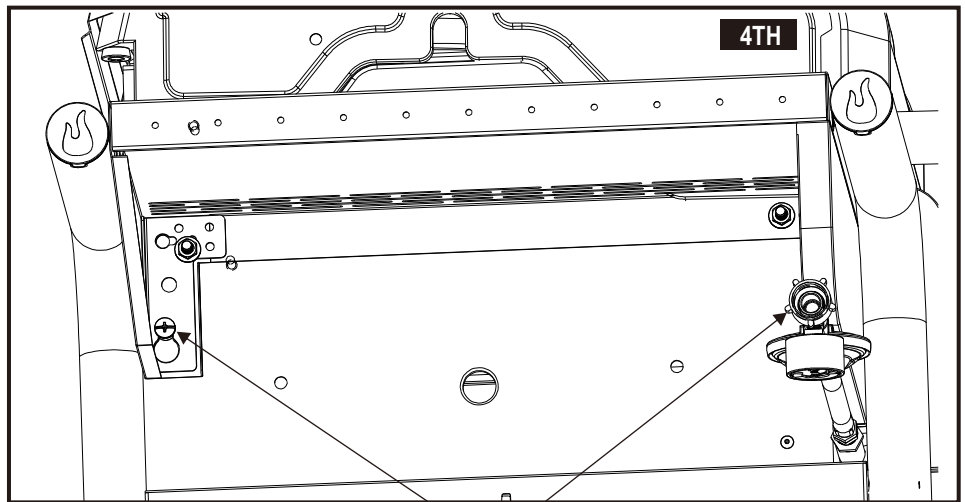


D x2



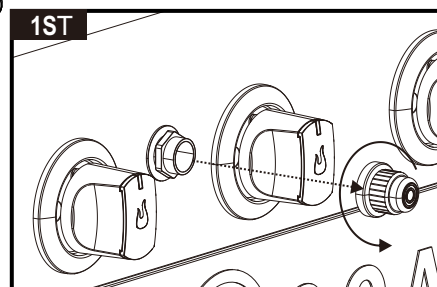
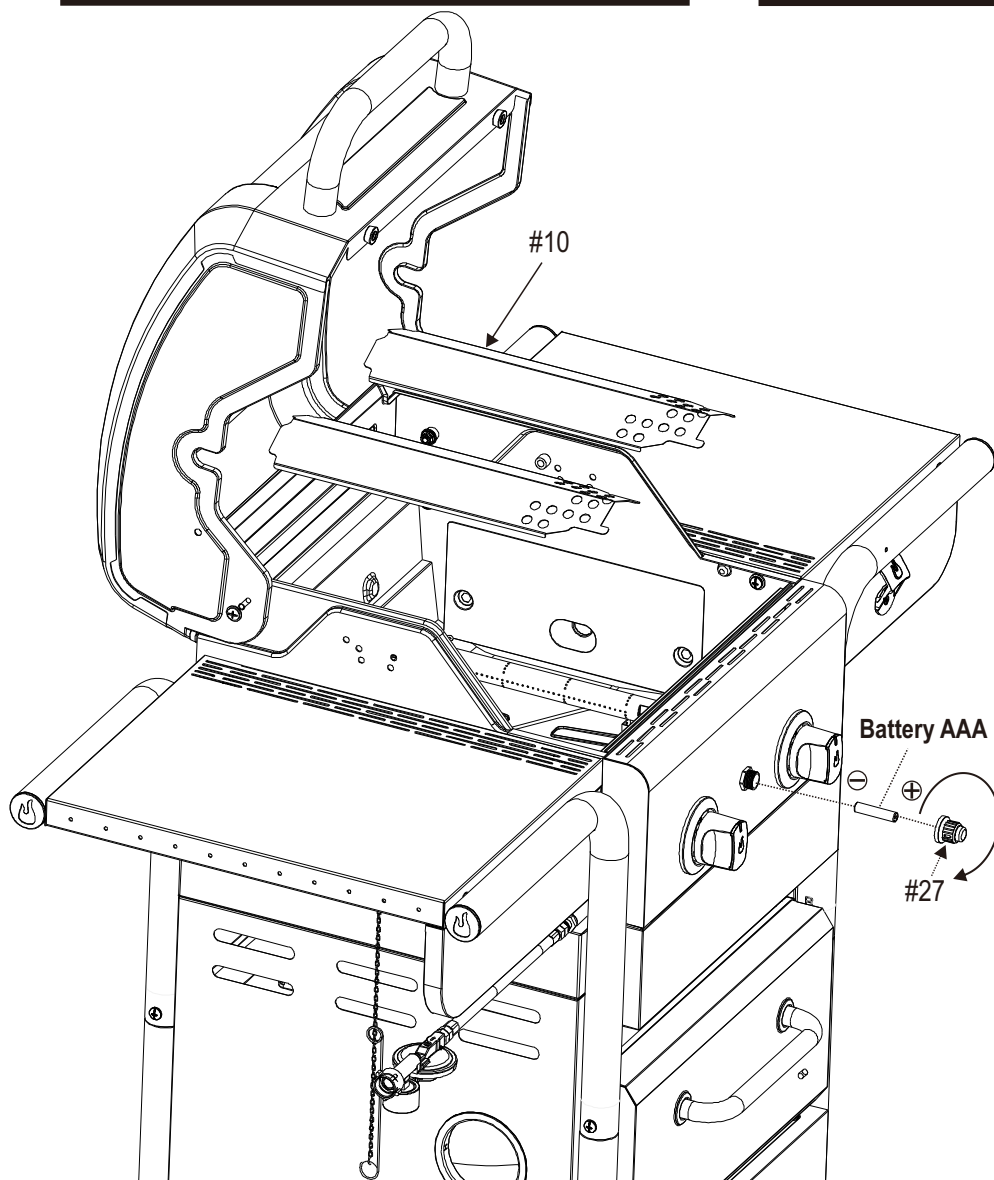
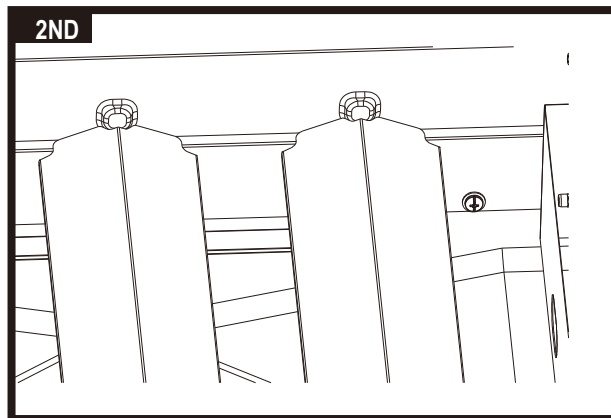
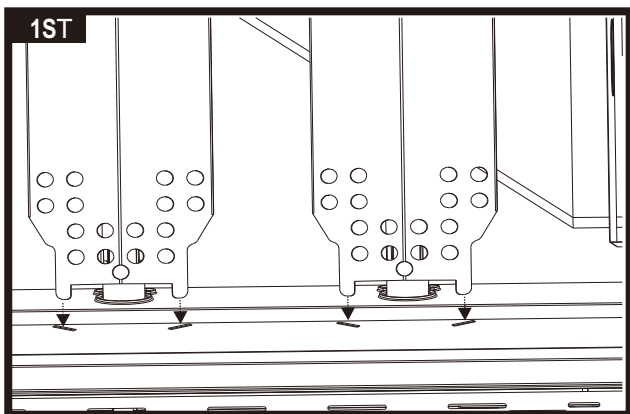
B x2

4TH



Tighten the screws  
Apriete los tornillos  
Serrez les vis

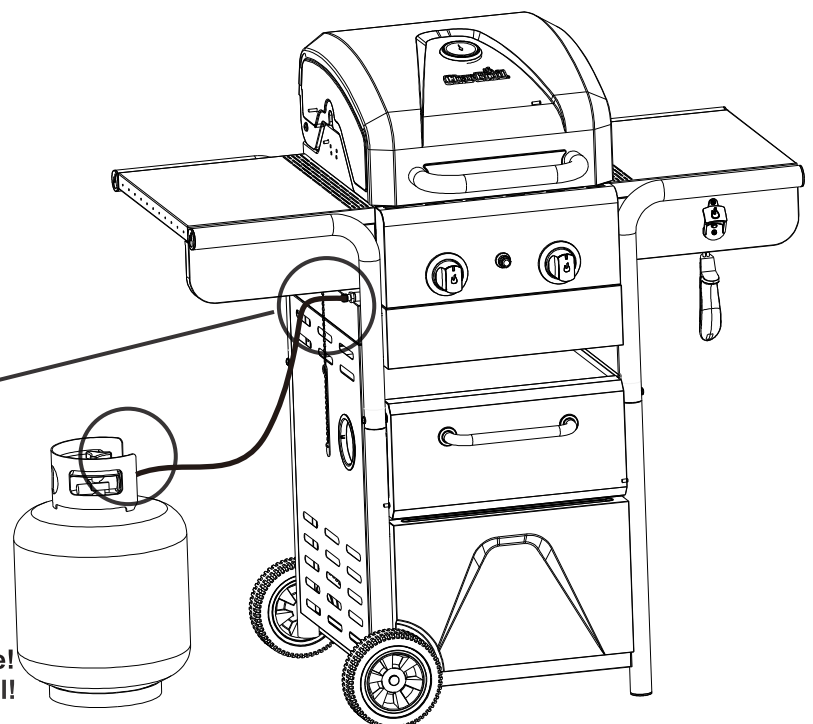
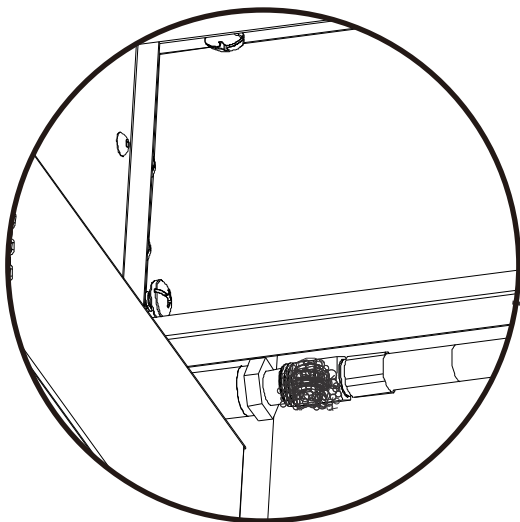
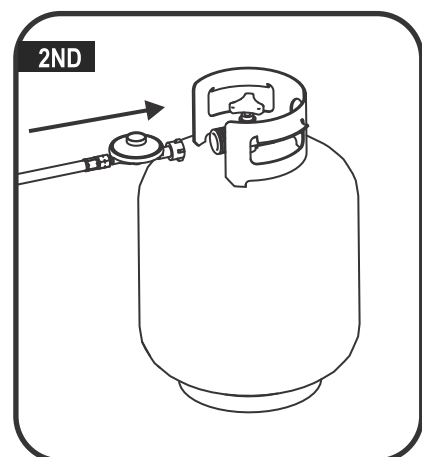
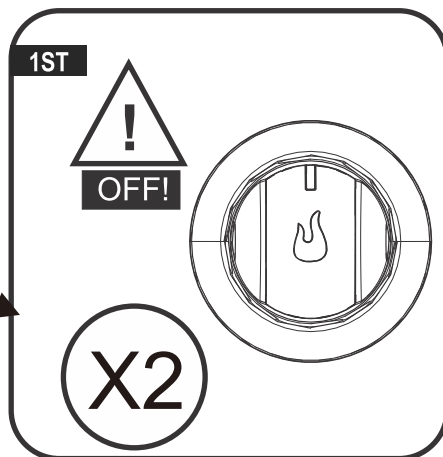
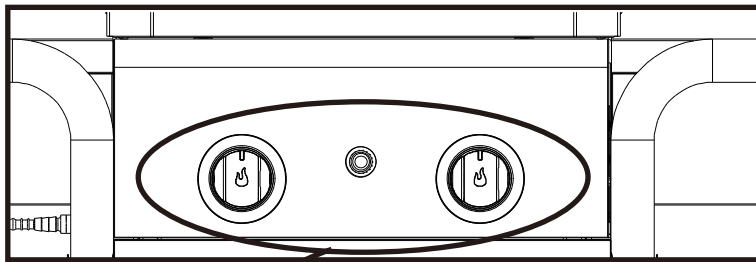
11



**Battery AAA**  
**Pile AAA**  
**Bateria AAA**

Not Included  
 Non inclus  
 Nicht enthalten  
 Non incluso  
 Niet inbegrepen  
 Ingår ej  
 Ei sisälly  
 לא כלול

No incluido  
 Não incluído  
 Ikke inkluderet  
 Ikke inkludert  
 Nezáhrňa  
 Ekki innifalið  
 Není v ceně

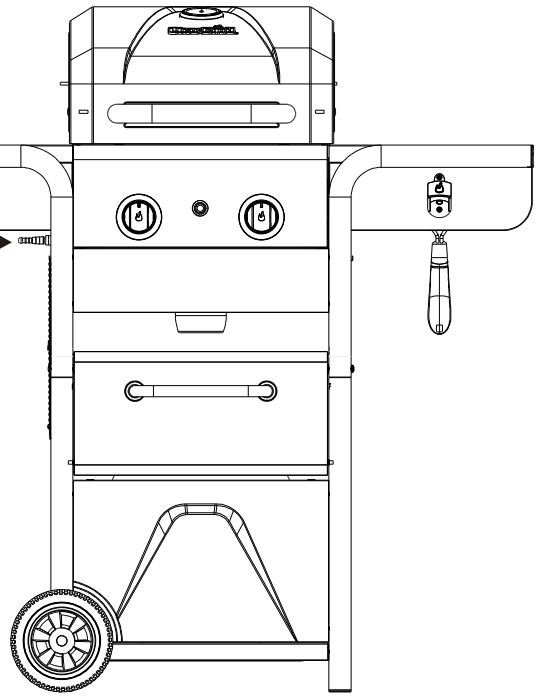
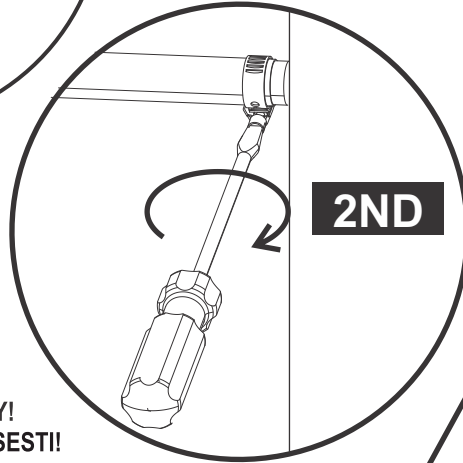
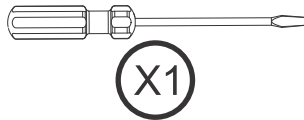
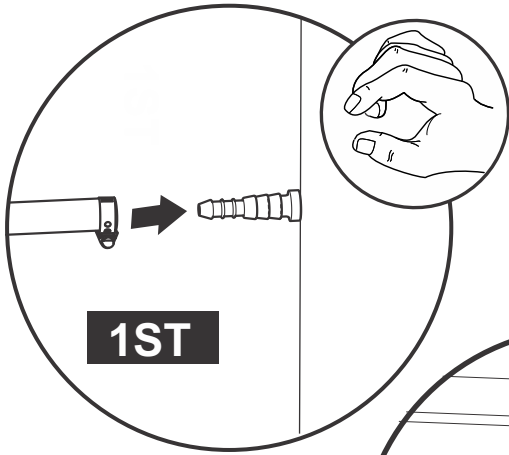
**12****LEAK CHECK FOR MODELS: 468302221**

**Disconnect the tank after this check!**  
**Ontkoppel de gastank na deze controle!**  
**Koppla från tanken efter denna kontroll!**  
**Koble fra beholderen etter denne kontrollen!**  
**Po kontrole nádobu odpojte!**  
**Po této kontrole odpojte nádrž !**  
**Irrota säiliö tämän tarkistuksen jälkeen!**  
**Framontér tanken efter denne kontrol!**  
**Исключите резервоара след тази проверка!**  
**Αποσυνδέστε τη δεξαμενή μετά από αυτόν τον έλεγχο!**  
**Kösse le a tartályt az ellenőrzés után!**

**Deconectați rezervorul după această verificare!**  
**Klemmen Sie den Tank nach dieser Prüfung ab!**  
**Scollegare il serbatoio dopo questo controllo!**  
**Desconecte el tanque luego de esta comprobación!**  
**Desligue a botija depois desta verificação! Déconnectez le réservoir après cette vérification !Aftengdu tankinn eftir þessa skoðun!**

**! הקידבר החאל לכמת הק אתנ**

**LEAK CHECK FOR MODELS: 468301221**

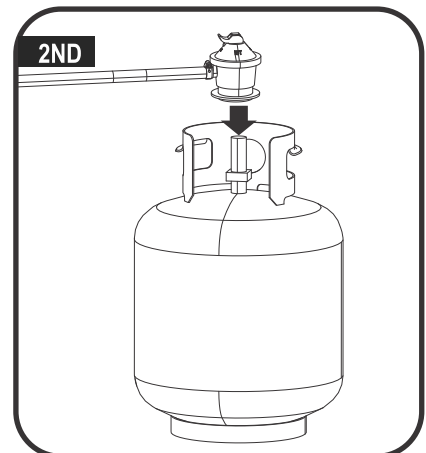
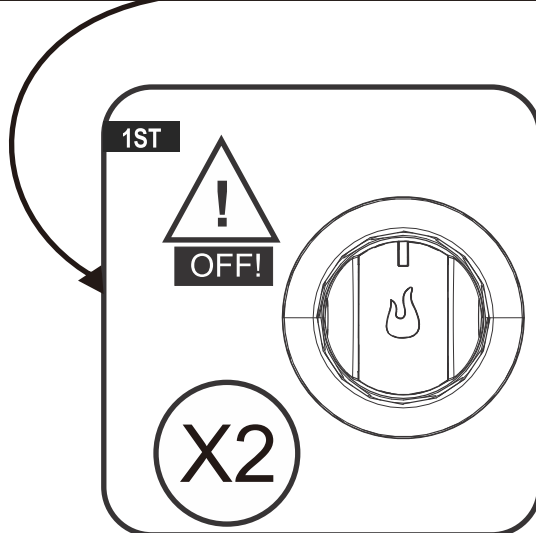
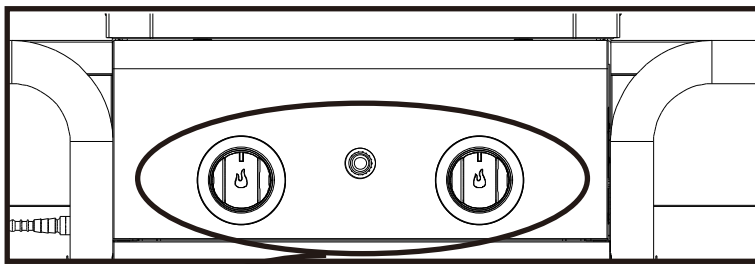


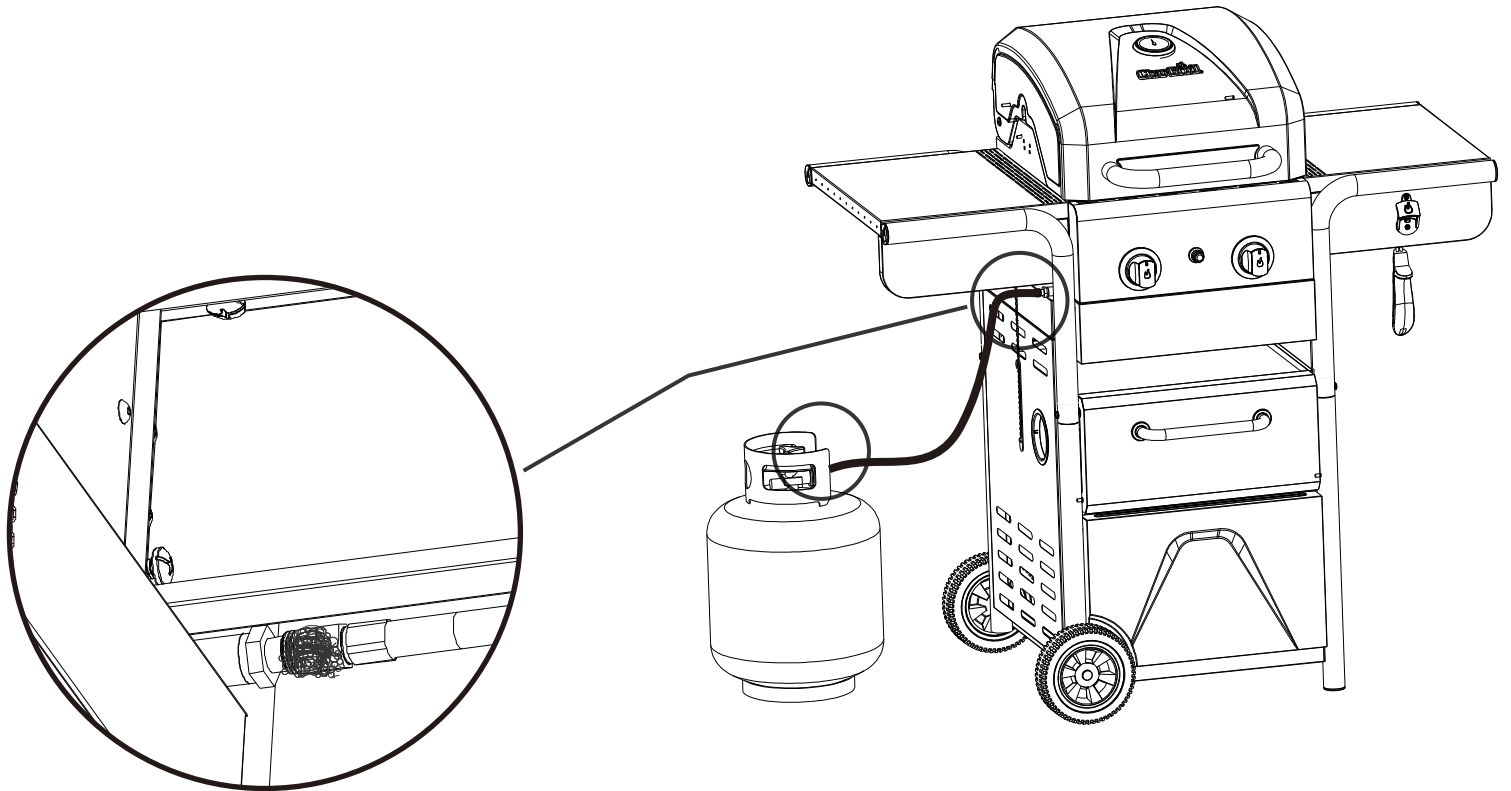
**TIGHTEN SECURELY!**  
**KIRISTÄ HUOLELLISESTI!**  
**PEVNĚ UTÁHNĚTE!**  
**FASTSPÆND KORREKT!**  
**DRAAI STEVIG AAN!**  
**DRA ÅT ORDENTLIGT!**  
**FEST GODT!**  
**HERTU VANDLEGA**  
**ATENȚIE SECURAL!**



**ΑΣΦΑΛΕΙΑΣ ΑΣΦΑΛΕΙΑΣ!**  
**ЗАДАЧИ СЕКРЕТНО!**  
**SERREZ FERMEMENT**  
**SICHER BEFESTIGEN!**  
**SERRARE SALDAMENTE**  
**APRIETE FIRMEMENTE**  
**BEZPEČNE ZATIAHNUŤ!**  
**AFTENGDU TANKINN EFTIR ÞESSA**  
**SKOÐUN!**  
**BIZTONSÁGÁVAL!**

**הדק בחוזקה!**





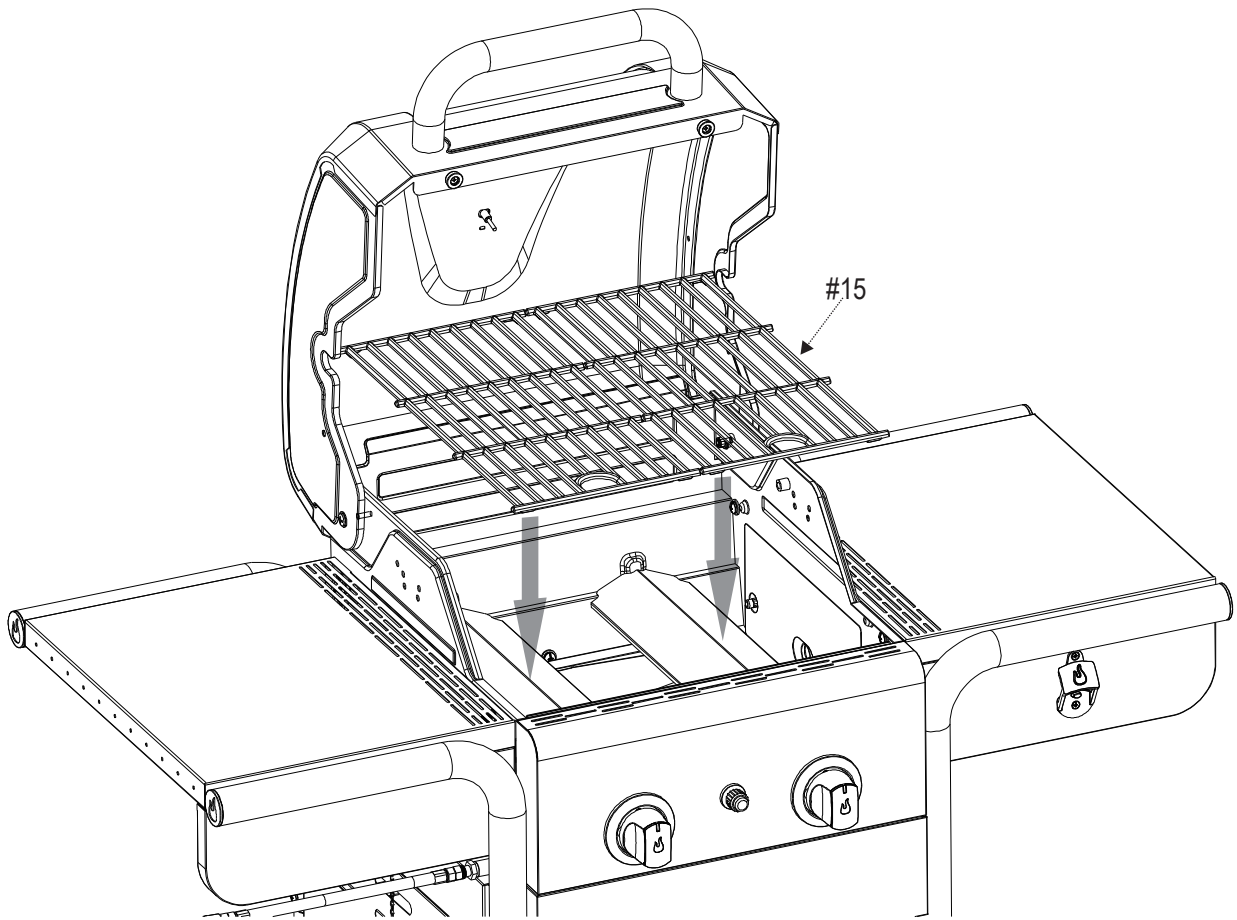
**Disconnect the tank after this check!**  
**Ontkoppel de gastank na deze controle!**  
**Koppla från tanken efter denna kontroll!**  
**Koble fra beholderen etter denne kontrollen!**  
**Po kontrole nádobu odpojte!**  
**Po této kontrole odpojte nádrž !**  
**Irrota säiliö tämän tarkistuksen jälkeen!**  
**Framontér tanken efter denne kontrol!**  
**Исключете резервоара след тази проверка!**  
**Αποσυνδέστε τη δεξαμενή μετά από αυτόν τον έλεγχο!**  
**Kösse le a tartályt az ellenőrzés után!**



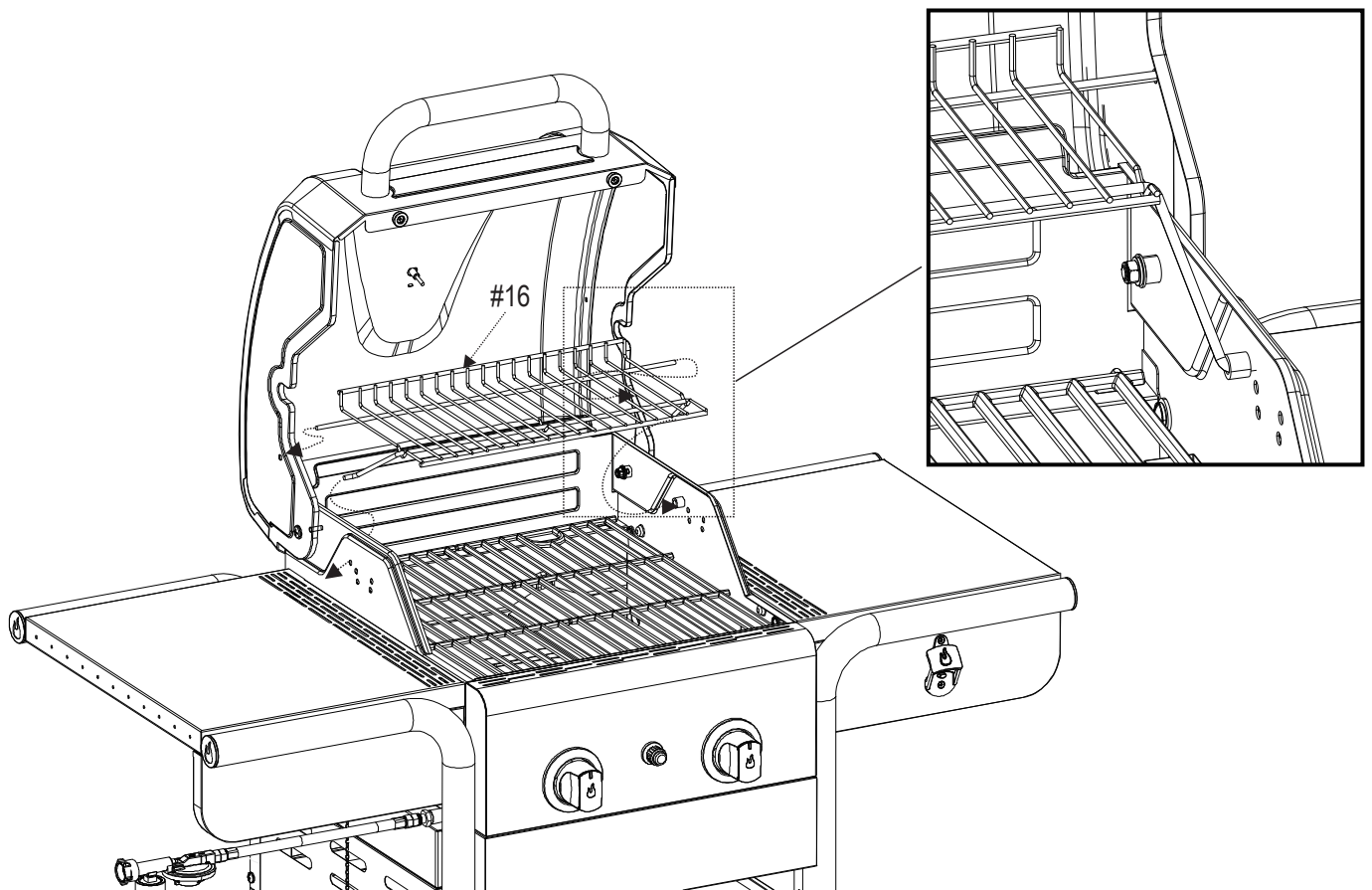
**Deconectați rezervorul după această verificare!**  
**Klemmen Sie den Tank nach dieser Prüfung ab!**  
**Scolligare il serbatoio dopo questo controllo!**  
**¡Desconecte el tanque luego de esta comprobación!**  
**Desligue a botija depois desta verificação! Déconnectez le réservoir après cette vérification !**  
**Aftengdu tankinn eftir þessa skoðun!**

**! הקידבר החאל לכמת הק אתנ**

13

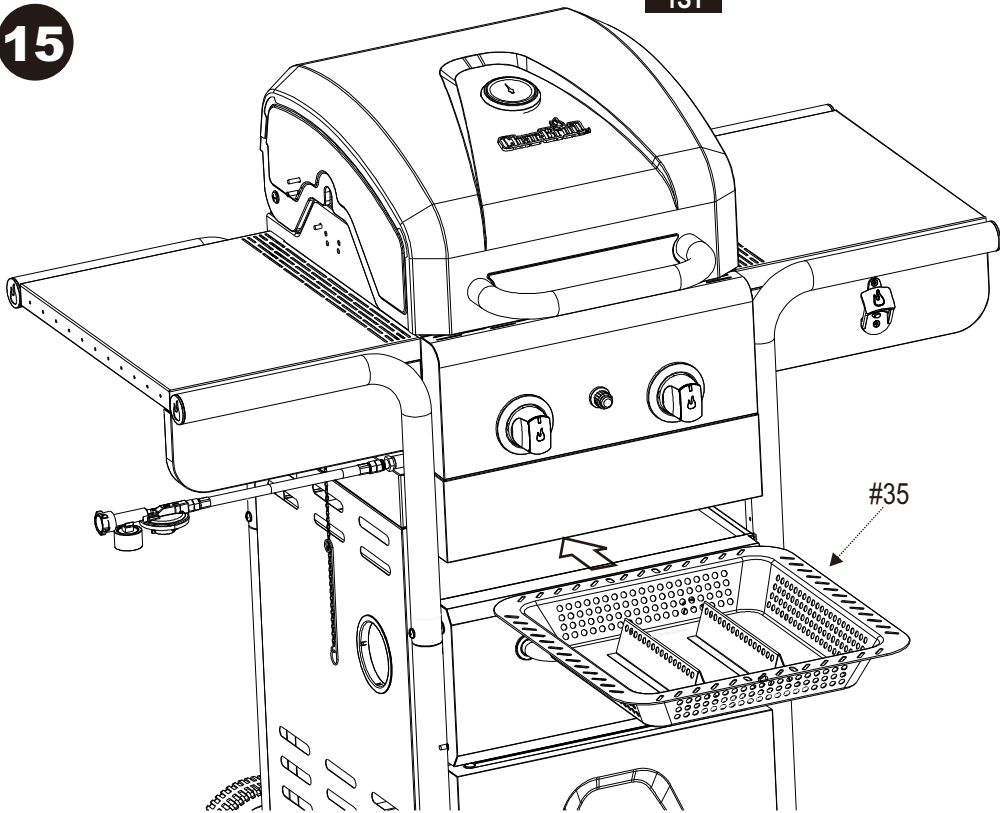


14

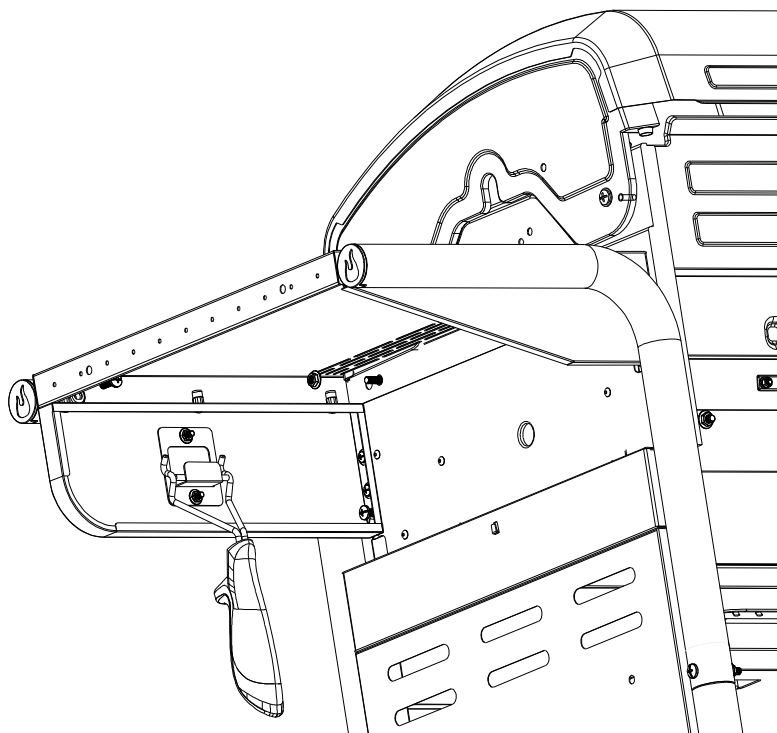


15

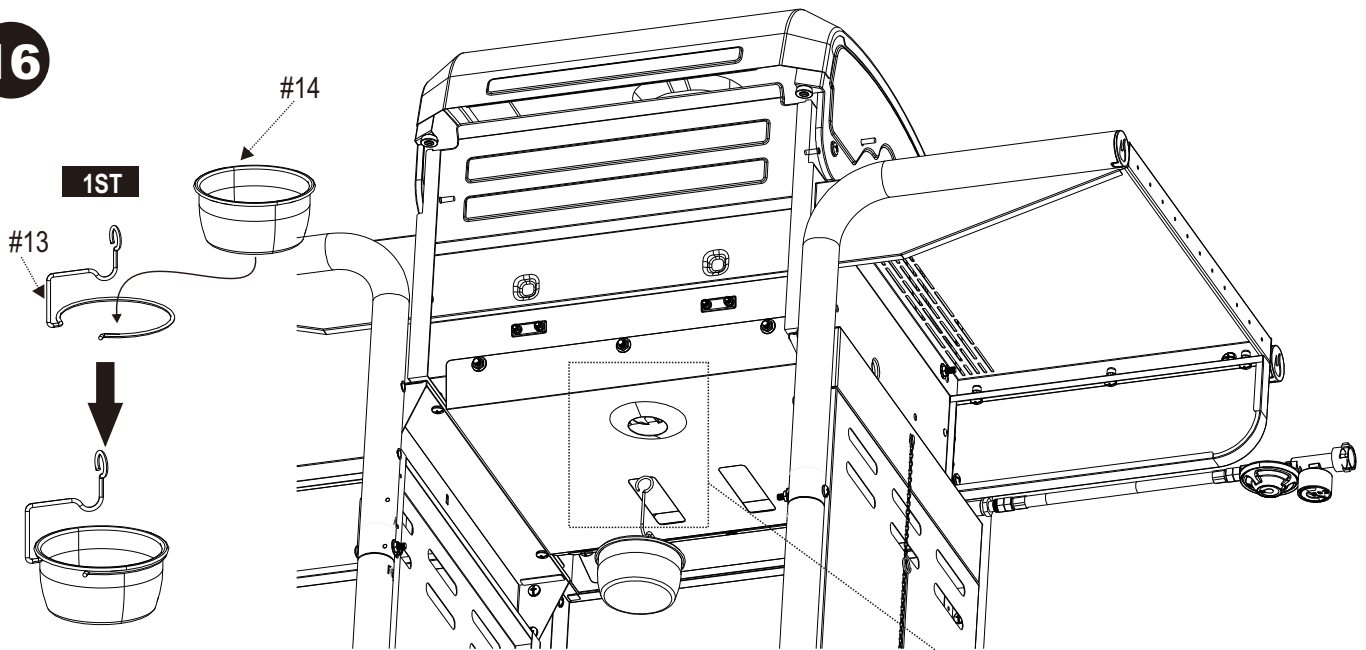
1ST



2ND



16

**CAUTION**

Failure to install grease cup clip and cup will cause hot grease to drip from bottom of grill with risk of fire or property damage.

**MISE EN GARDE**

Le fait de ne pas installer la pince et la cuvette de graisseur entraînera un égouttement de la graisse chaude par le bas du gril avec un risque d'incendie ou de dommage matériel.

**VORSICHT**

Wenn Sie den Schmiernippelclip und den Becher nicht installieren, kann heißes Fett von der Unterseite des Grills tropfen, was zu Feuer oder Sachschäden führen kann.

**ATTENZIONE**

La mancata installazione della clip e della tazza della tazza di grasso fa sì che il grasso caldo goccioli dalla parte inferiore della griglia con rischio di incendio o danni alla proprietà.

**VOORZICHTIGHEID**

Als de klem en beker van de vetkom niet worden geïnstalleerd, zal er heet vet van de onderkant van de grill druppelen met het risico van brand of schade aan eigendommen.

**VARNING**

Underlåtenhet att installera fettkoppsklämma och kopp ger upphov till att hett fett droppar från botten av grillen med risk för brand eller egendomsskada.

**VAROVAISUUS**

Jos rasvakupin pidike ja kuppi eivät ole asennettavissa, rasva saattaa kuumaa rasvaa alapää grillin alapuolelta tulipalon tai omaisuusvaurioiden varalta.

**PRECAUCIÓN**

Si no se instala el clip de la taza de grasa y la taza, la grasa caliente goteará desde el fondo de la parrilla con riesgo de incendio o daños a la propiedad.

**CUIDADO**

Se não instalar o clipe do copo de graxa e o copo, a graxa quente gotejará da parte inferior da chapa, com risco de incêndio ou danos materiais.

**ADVARSEL**

Hvis du ikke installerer fedtkoppeklips og kop, får det varme fedt til at dryppe fra bunden af grillen med risiko for brand eller skade på ejendommen.

**FORSIKTIGHET**

Hvis du ikke installerer fedtkoppeklips og kopp, vil det føre til at varmt fett dråper fra bunnen av grillen, med fare for brann eller skade på eiendom.

**POZOR**

Pri nedokončenej montáži klinčeka a šálky na mastnotu dôjde k odkvapnutiu horúceho tuku zospodu grilu s rizikom požiaru alebo poškodenia majetku.

**VARÚD**

Ef ekki er sett upp fitubollarbúnað og bolli mun það valda því að heitt fita dreypi úr botni grillsins þar sem hættu er á eldi eða skemmdum á eignum.

**POZOR**

Nedostatek montáže kelímky a šálku na mastnotu způsobí, že horký tuk odkapává ze spodní části grilu s nebezpečím požáru nebo poškození majetku.

**זהירות**

תקלה בהתקנת כוס הגביע והספל תגרום לשמן חם וטפטף מתחתית הגריל עם סיכון אש או נזק לרכוש.

**PRUDENTĂ**

Dacă nu instalați clema de cupă și ceașcă de grăsimi, grăsimea fierbinte va picura din partea inferioară a grătarului cu risc de incendiu sau daune materiale.

**ΠΡΟΣΟΧΗ**

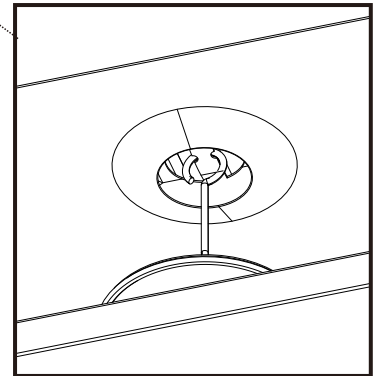
Η αποτυχία τοποθέτησης του κλιπ φλιτζανιού λίπους και του κυπέλλου θα προκαλέσει στάγδην γράσο από το κατώτατο σημείο της σχάρας με κίνδυνο πυρκαγιάς ή ζημιάς στην ιδιοκτησία.

**VIGYÁZAT**

Ha a zsírcsésze és a pohár nem kerül felhelyezésre, akkor a forró zsír a grill aljától csöpög, tűzveszély vagy anyagi kár miatt.

**ВНИМАНИЕ**

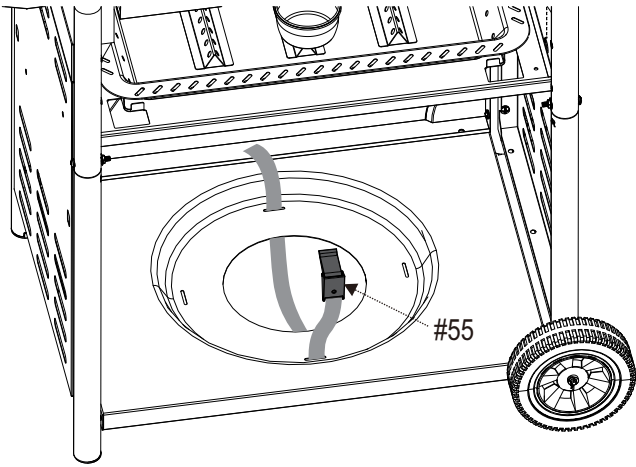
Неуспех при монтирането на скобата за чаши и чашата ще доведе до изтичане на гореща мазнина от дъното на скарата с риск от пожар или материални щети.



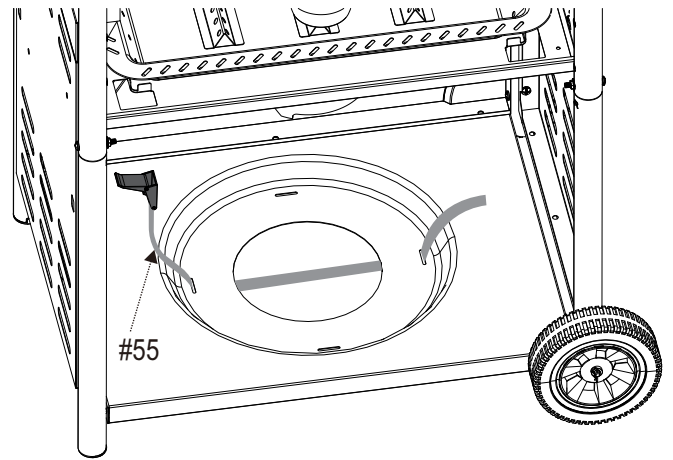


17

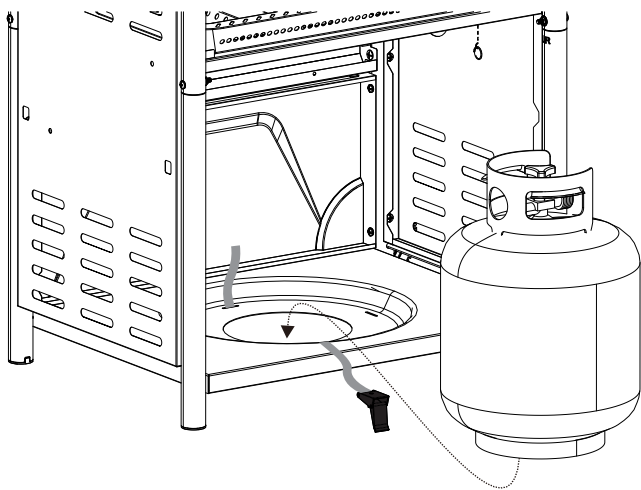
1ST



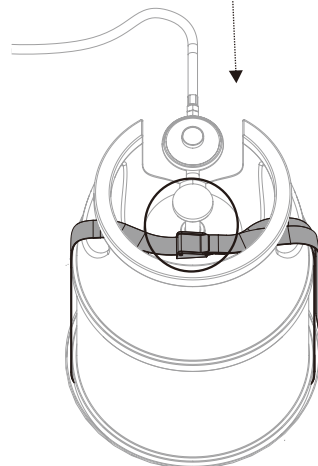
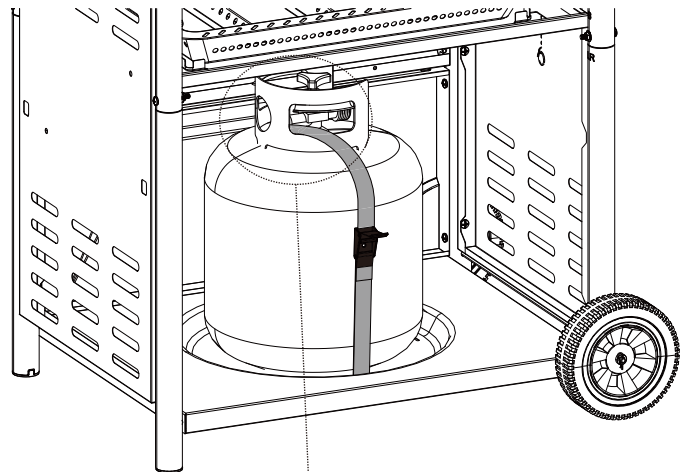
OR



2ND



3RD



	<b>CAUTION</b>	
<p>Cylinder valve must face to left of cart once tank is attached. Failure to install cylinder correctly may allow gas hose to be damaged in operation, resulting in the risk of fire.</p>		

## CONVERSION

1

GAS TO CHARCOAL CONVERSION MUST BE DONE WITH A COLD BARBECUE.

ZMĚNU POUŽITÍ PLYNU NA POUŽITÍ BRIKET JE NUTNÉ PROVÁDĚT U STUDENÉHO GRILU.

ET SKIFT FRA GAS TIL TRÆKUL SKAL SKE, MENS GRILLEN ER KOLD.

GAS NAAR HOUTSKOOL CONVERSIE MAG ALLEEN GEDAAN WORDEN ALS DE BARBECUE KOUD IS KAASUN VAIHTO HIILEEN TÄYTYY TEHDÄ GRILLIN OLLESSA KYLMÄ.

SI VOUS PASSEZ D'UNE UTILISATION AU GAZ À UNE UTILISATION AVEC DU CHARBON, CELA DOIT SE FAIRE LORSQUE LE BARBECUE EST FROID.

DIE UMSTELLUNG VON GAS AUF HOLZKOHLE MUSS BEI KALTEM GRILL ERFOLGEN.

BREYTING ÚR GAS- YFIR Í KOLANOTKUN VERÐUR AÐ FARA FRAM ÞEGAR GRILLIÐ ER KALT.

LA CONVERSIONE DA GAS A CARBONELLA DEVE ESSERE EFFETTUATA CON IL BARBECUE FREDDO. NÅR DU SKAL GÅ FRA GASS TIL TREKULL MÅ DU SØRGE FOR AT GRILLEN ER AVKJØLT. A CONVERSÃO DO GÁS À CHARCOAL DEVE SER FEITA COM UM BARBECUE FRIO.

PRECHOD OD PLYNU KU DREVENÉMU UHLIU SA MUSÍ VYKONAŤ VTEDY, KEĎ JE GRIL VYCHLADNUTÝ. LA CONVERSIÓN DE GAS A CARBÓN DEBE HACERSE CON LA BARBACOA FRÍA. OMVANDLING FRÅN GASOL TILL TRÄKOL MÅSTE UTFÖRAS NÄR GRILLEN ÄR KALL.

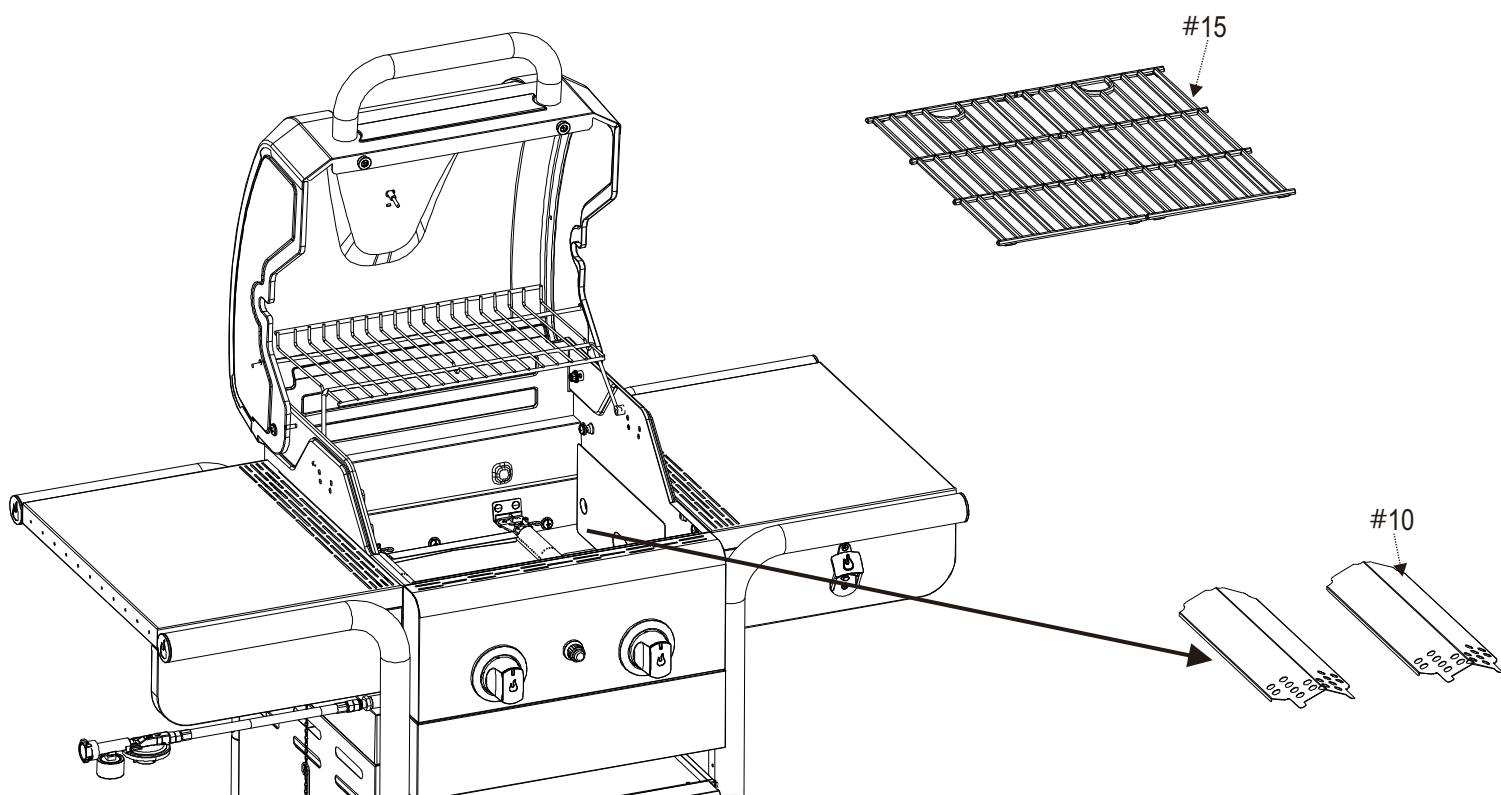
Conversia gazului la cărbune trebuie făcută cu un grătar rece

Превръщането на газа в въглен трябва да се извършва с студено барбекю

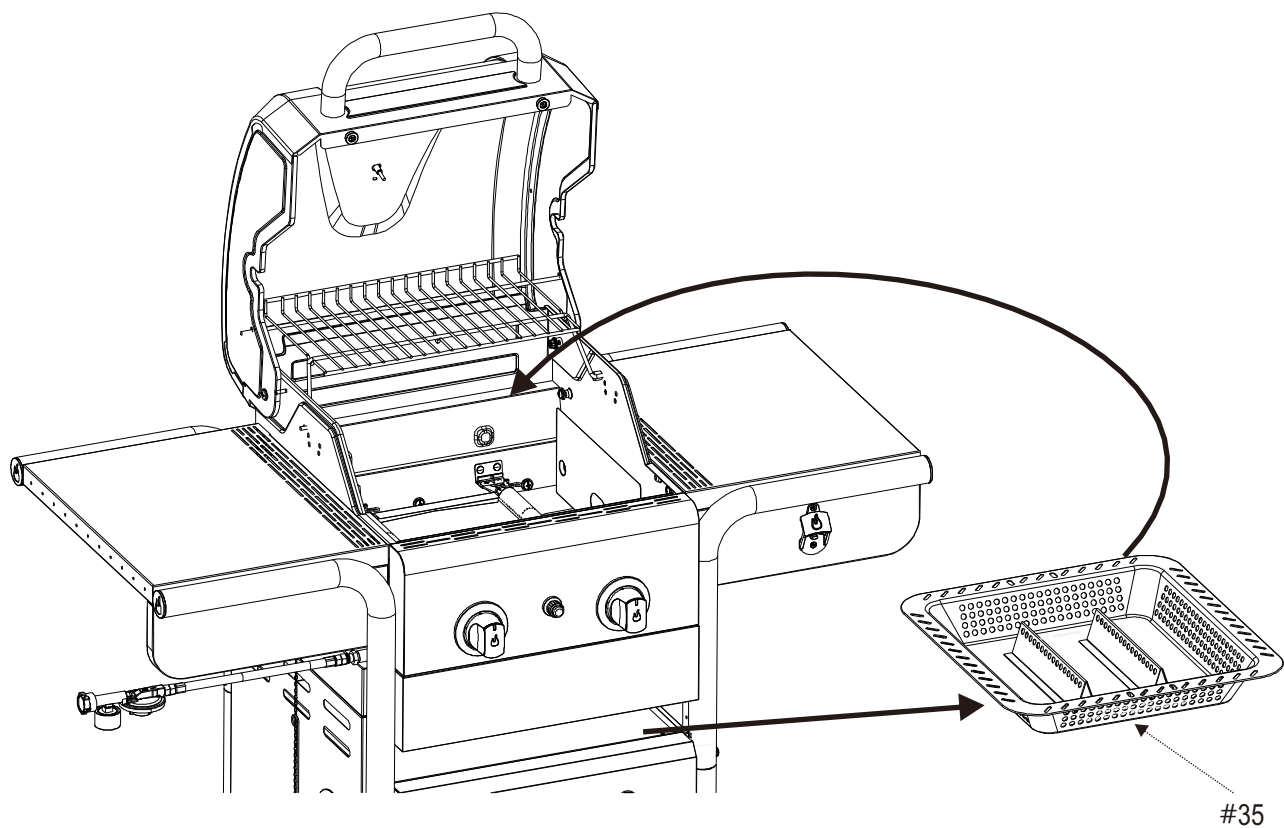
Η μετατροπή αερίου σε κάρβουνο πρέπει να γίνει με ένα κρύο μπάρμπεκιου

A szén-faszén konverzióját hideg grillen kell elvégezni

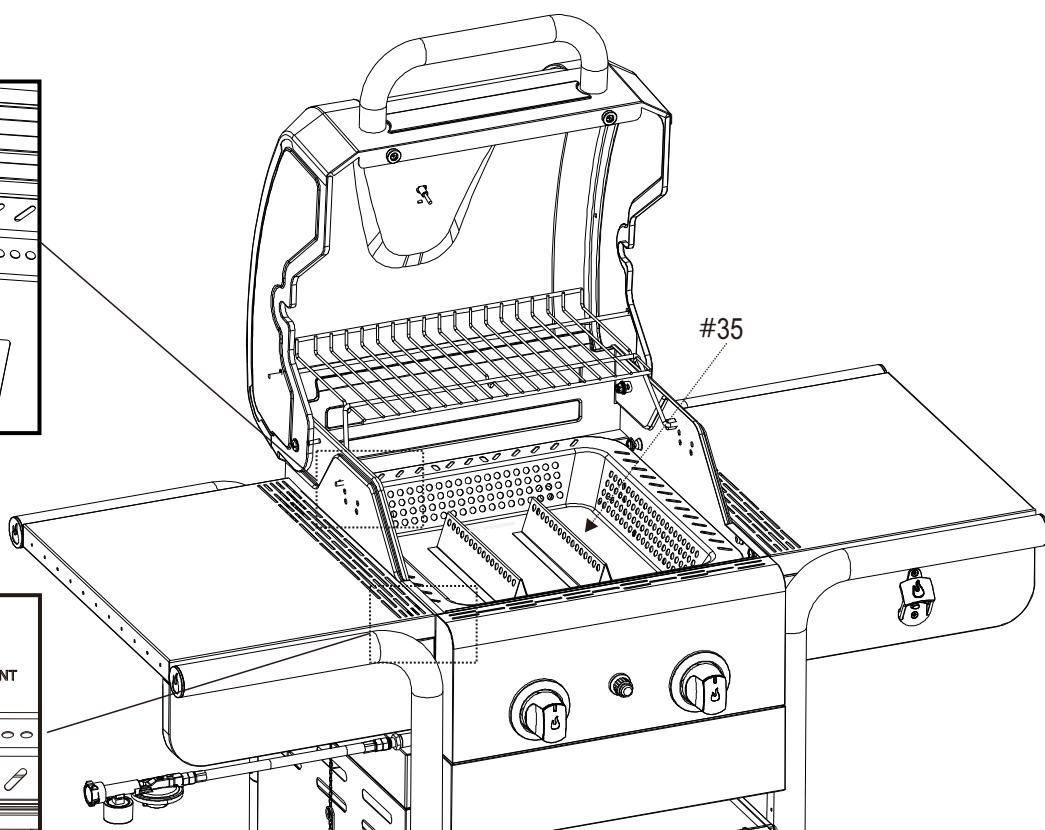
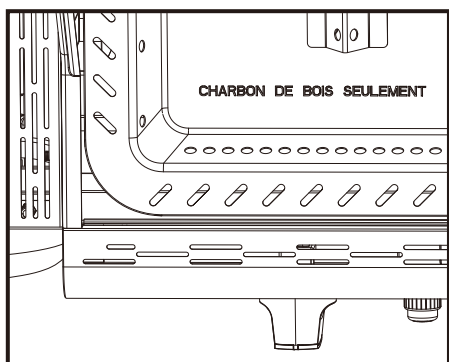
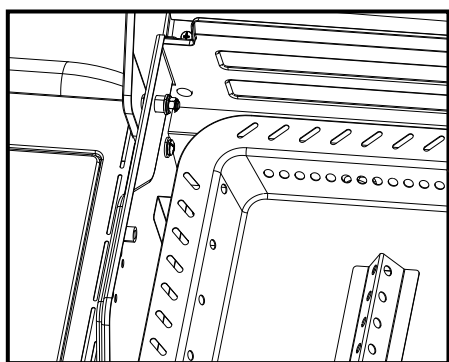
פרופאן מרת פחם חייב להיעשות עם ברביקיו קר



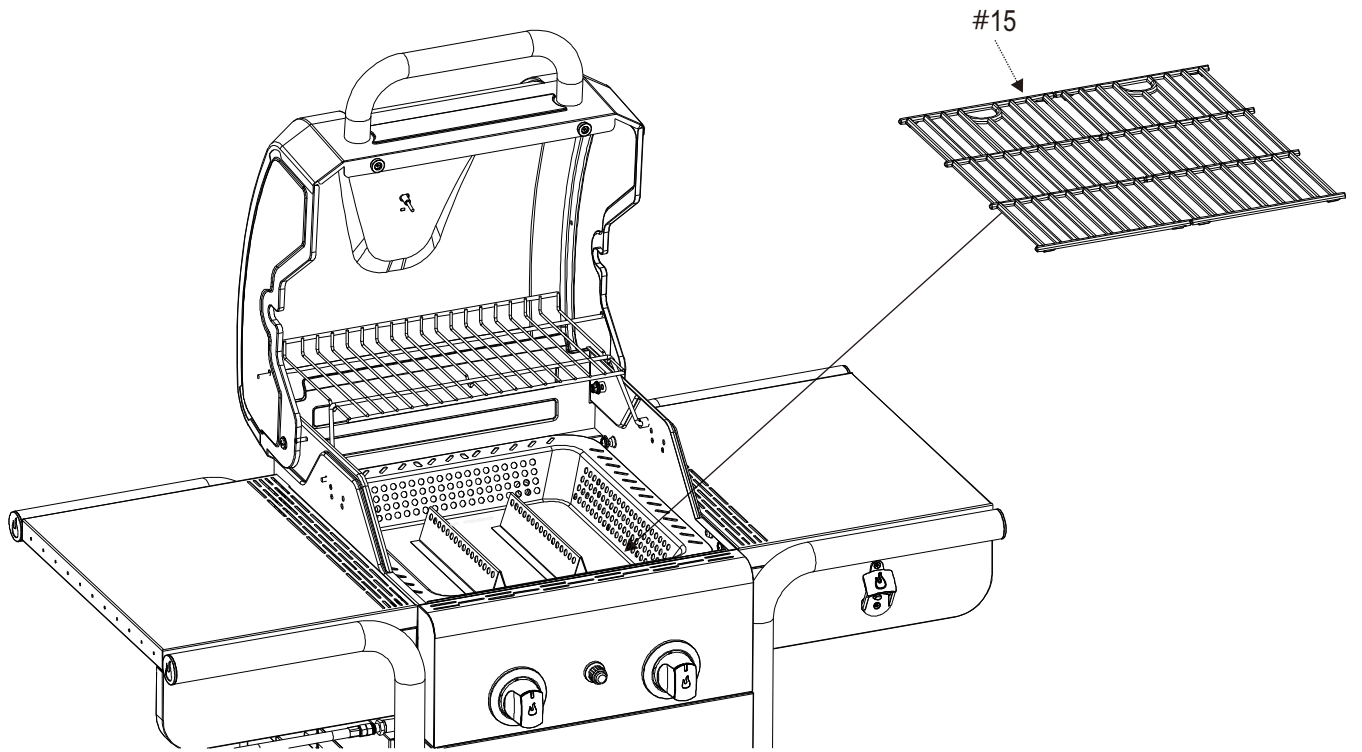
2



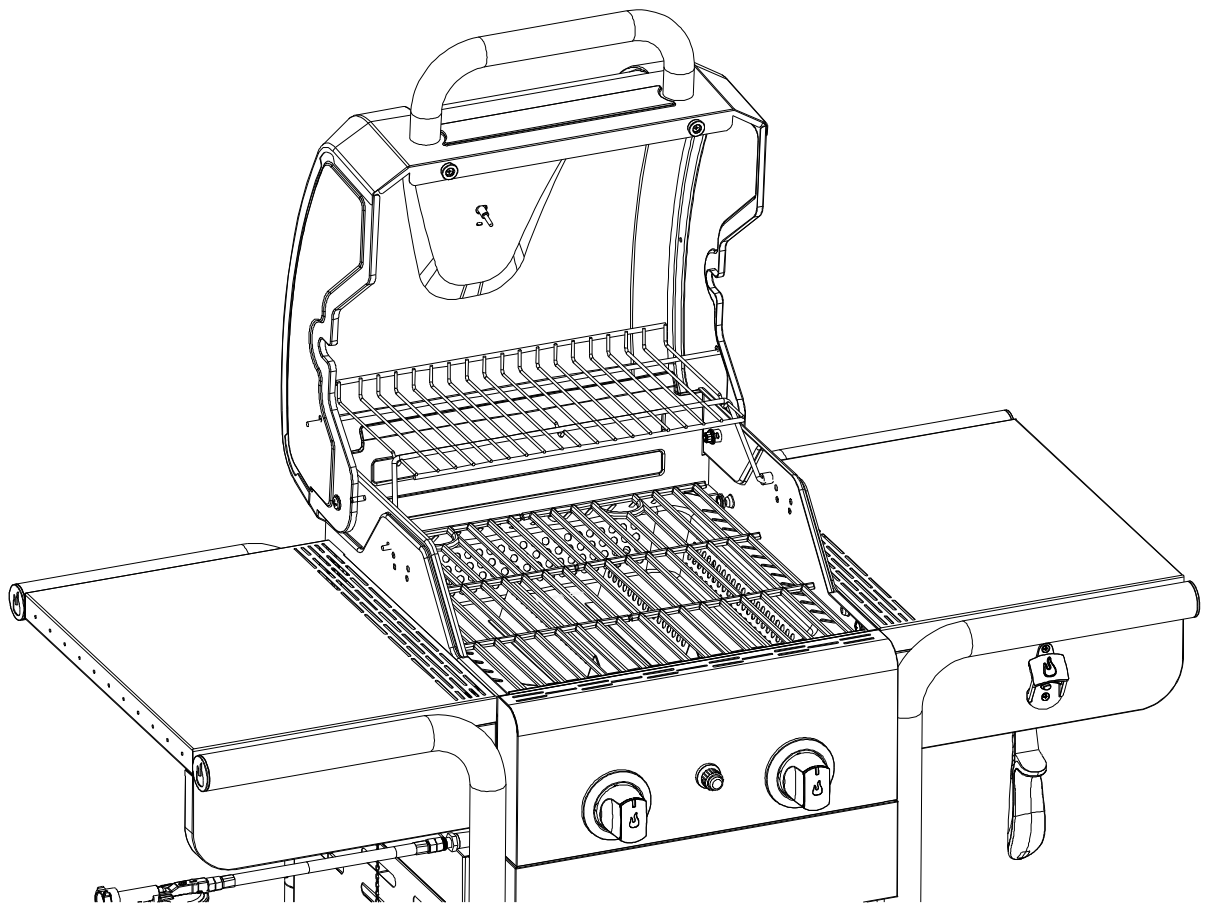
3



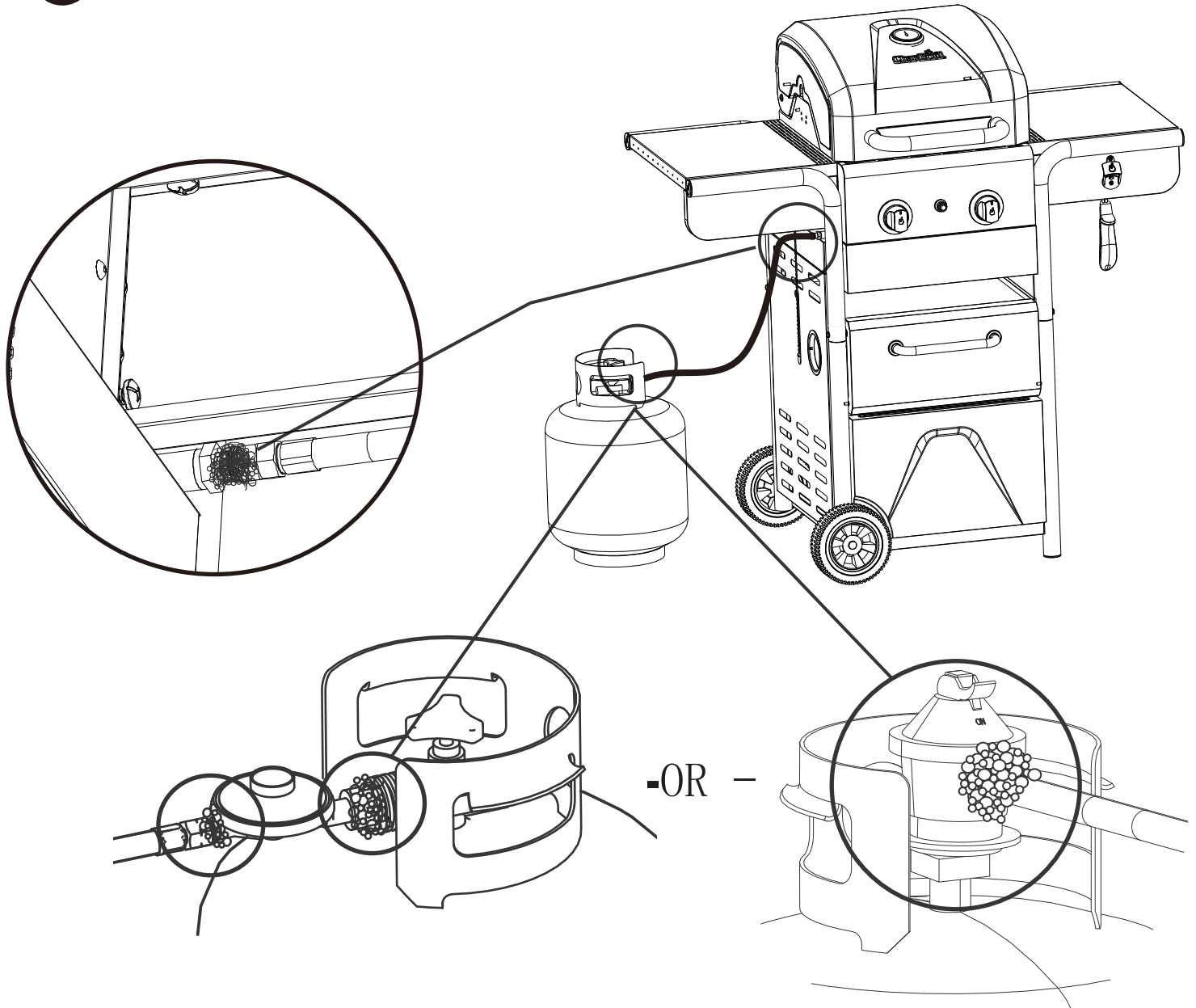
4



5



6



GB	Leak test before first use, at least once a year, and every time the cylinder is changed or disconnected.
CH, FR	Effectuez un test de fuite avant la première utilisation, au moins une fois par an, et chaque fois que la bonbonne est changée ou déconnectée.
LU, AT, CH, DE	Führen Sie eine Überprüfung auf Gasaustritten mindestens einmal im Jahr und jedes Mal, wenn der Gasbehälter gewechselt oder abgetrennt wurde, durch.
CH, IT	Eseguire una prova di tenuta prima del primo utilizzo, almeno una volta l'anno. Inoltre, eseguire una prova di tenuta ogni volta che il cilindro viene cambiato o scollegato.
LU, BE, NL	Lektest voor eerste gebruik, minstens een keer per jaar, en elke keer als de gasfles verwisseld of losgekoppeld is.
SE	Testa efter läckage följande den första användningen, minst en gång per år, och varje gång cylindern byts ut eller kopplas bort. Föruotestest ennen ensimmäistä käyttöä, mutta vähintään kerran vuodessa, ja joka kerta kun sylinteri vaihdetaan tai sen kytkentä.
FI	Vuoto testi ennen ensimmäistä käyttöä, vähintään kerran vuodessa ja aina, kun sylinteriä vaihdetaan tai irrotetaan.
ES	Realice una prueba de fugas al menos una vez al año o cada vez que se cambie o se desconecte el cilindro.
PT	Faça um teste para verificar se não há vazamentos pelo menos uma vez por ano e sempre que o cilindro for trocado ou desconectado.
DK	Tæthedssprøvning af ventiler, slanger og regulator skal ske før første brugtagning, mindst en gang om året, og hver gang gasflasken er enten skiftet eller afbrudt.

NO	Framkvæmið lekaprófun fyrir fyrstu notkun, að minnsta kosti árlega, og í hvert sinn sem skipt er um hylki eða það er aftengt.
SK	Skúška tesnosť pred prvým použitím, najmenej raz za rok, a vždy, keď sa valček zmení alebo odpojí.
IS	Framkvæmið lekaprófun fyrir fyrstu notkun, að minnsta kosti árlega, og í hvert sinn sem skipt er um hylki eða það er aftengt.
CZ	Zkouška těsnosti před použitím nejméně jednou ročně a pokaždé, když je válec vyměněn nebo odpojen.
IL	לפחות פעם בשנה ובל פעם שהצילנדר מתנתק או משתנה בדיוקת דליפה לפני השימוש הראשון
RO	Testați scurgerile înainte de prima utilizare, cel puțin o dată pe an și de fiecare dată când se schimbă sau se deconectează bateria.
GR	Δοκιμή διαρροής πριν από τη χρήση, τουλάχιστον μια φορά το χρόνο και κάθε φορά που ο κύλινδρος αλλάζει ή αποσυνδέεται.
HU	A szivárgásvizsgálatot az első használat előtt, legalább évente egyszer, és minden alkalommal, amikor a palackot megváltoztatják vagy leválasztják.
BG	Тест за течове преди да се използва поне веднъж годишно и всеки път, когато бутилката се сменя или прекъсва.

# Warranty Statement

Char-Broil Europe GmbH, Paul-Dessau-Straße 8 Quartier O – 4.OG D-22761 Hamburg (Char-Broil) warrants to the PURCHASER of this Char-Broil product that it will be free of defects in material and workmanship from the date of purchase as follows:

	Gas Grills
<b>Burners</b>	5 years
<b>Cooking Grates/Emitters</b>	2 years
<b>All Other Parts (EURO minimum)</b>	2 years
<b>Charcoal Tray</b>	2 years

Char-Broil or the seller of the product may require reasonable proof of your date of purchase. ***THEREFORE, YOU SHOULD RETAIN YOUR SALES RECEIPT OR INVOICE.***

**[France only:** All products sold by the Seller are covered by the legal warranties provided in Articles 1641 and followings of the Civil Code (warranty against hidden defects) and Articles L. 217-1 to L. 217-14 and L. 411-1 to L. 411-2 of the Consumer Code (warranty of conformity.)

This Warranty includes the right of repair or replacement of the product or parts of the product that prove defective under normal use and service. Before returning any parts, you should promptly contact Char-Broil using the contact information on our website. In case of a defect, Char-Broil will elect to replace or repair the product or such parts without charge. . Char-Broil will return the product or parts of the product to the purchaser, freight or postage prepaid. If Char-Broil elects to repair the product or such defective parts of the product and this repair fails, you are entitled, pursuant to your statutory legal rights, to reduce the purchase price or to withdraw from the contract and receive a refund.

This Warranty does not cover any failures or operating difficulties due to accident, abuse, misuse, alteration, misapplication, vandalism, improper installation or improper maintenance or service, or failure to perform normal and routine maintenance, including but not limited to damage caused by insects within the burner tubes, as set out in this owner's manual. Exceptions may apply, so please contact Char-Broil or your seller in case you have any questions on whether this Warranty applies to your specific case or not.

Deterioration or damage due to severe weather conditions such as hail, hurricanes, earthquakes or tornadoes, discoloration due to exposure to chemicals either directly or in the atmosphere, is not covered by this Warranty, and are not normally covered by your statutory legal rights.

Char-Broil is not liable for any unforeseeable losses (i.e. loss or damage that neither you nor Char-Broil or the seller contemplated at the time of purchase), or any damage caused by you, save for that Char-Broil's liability for fraud or death or personal injury caused by its negligence is not limited.

Char-Broil does not authorize any person or company to assume for it any other obligation or liability in connection with the sale, installation, use, removal, return, or replacement of its equipment; and no such representations are binding on Char-Broil.

This Warranty applies only to products sold at retail to individuals (as opposed to businesses) within the European Union.

This Warranty does not affect any of your statutory legal rights under the applicable consumer laws of your resident country.

For warranty service, contact Char-Broil at [info-eu@charbroil.com](mailto:info-eu@charbroil.com).

# Déclaration de Garantie

Char-Broil Europe GmbH, Paul-Dessau-Straße 8 Quartier O – 4.OG D-22761 Hamburg (« Char-Broil »), garantit à l'ACHETEUR du présent produit Char-Broil que ce dernier sera exempt de tout défaut de matériel ou de fabrication à compter de la date de l'achat, comme suit :

	Gril à gaz
Brûleurs	5 ans
Grilles de cuisson et émetteurs	2 ans
Toutes les autres pièces (minimum pour l'Europe)	2 ans
Plateau pour charbon de bois	2 ans

Il se peut que Char-Broil ou le vendeur du produit exige une preuve raisonnable de la date de votre achat. **PAR CONSÉQUENT, VOUS DEVRIEZ CONSERVER VOTRE REÇU OU VOTRE FACTURE.**

**[France seulement :** Tous les produits vendus par le vendeur sont couverts par les garanties légales prévues aux articles 1641 et suivants du *Code civil* (garantie contre les défauts cachés) et aux articles L. 217-1 à L. 217-14 et L. 411-1 à L. 411-2 du *Code de la consommation* (garantie de conformité.)

La présente garantie comprend le droit à la réparation ou au remplacement du produit ou des pièces du produit qui se révèlent défectueux dans des conditions normales d'usage et d'entretien. Avant de retourner une pièce, vous êtes invité à prendre contact sans délai avec Char-Broil aux coordonnées indiquées sur notre site Web. En cas de défaut, Char-Broil décidera de remplacer ou de réparer sans frais le produit ou les pièces en question. Char-Broil retournera le produit ou les pièces à l'acheteur, frais d'expédition ou d'affranchissement prépayés. Si, après que Char-Broil a décidé de réparer le produit ou les pièces défectueuses, la réparation échoue, vous avez le droit, en vertu de vos droits légaux réglementaires, de réduire le prix d'achat ou de résilier le contrat et de vous faire rembourser.

La présente garantie ne couvre pas les défaillances ou les problèmes de fonctionnement découlant d'un accident, d'une utilisation abusive, d'une mauvaise utilisation, d'une modification, d'une application erronée, d'un acte de vandalisme, d'une mauvaise installation, d'un mauvais entretien, d'une mauvaise réparation ou du non-respect des procédures d'entretien normal et régulier, y compris notamment les dommages causés par les insectes dans les tubes des brûleurs, comme le décrit le présent mode d'emploi. Certaines exceptions peuvent s'appliquer. Veuillez donc prendre contact avec Char-Broil ou avec votre vendeur si vous vous demandez si la présente garantie couvre votre cas particulier ou non.

La détérioration ou les dommages causés par les conditions climatiques particulièrement rigoureuses, comme la grêle, les ouragans, les séismes ou les tornades, ainsi que la décoloration due à l'exposition à des substances chimiques, soit directement, soit dans l'atmosphère, ne sont pas couverts par la présente garantie, et ne sont normalement pas visés par vos droits légaux réglementaires.

Char-Broil n'est pas responsable des pertes imprévues (c'est-à-dire les pertes ou les dommages que ni vous, ni Char-Broil, ni le vendeur n'avez envisagés au moment de l'achat) ou de tout dommage dont vous êtes la cause, à ceci près que la responsabilité de Char-Broil pour fraude, décès ou dommage corporel causés par sa négligence n'est pas limitée.

Char-Broil n'autorise aucun particulier ni aucune société à assumer en son nom toute autre obligation ou responsabilité relativement à la vente, à l'installation, à l'utilisation, à l'élimination, au retour ou au remplacement de son équipement; aucune déclaration à cet effet ne lie Char-Broil.

La présente garantie ne concerne que les produits vendus au détail à des particuliers (et non à des sociétés) au sein de l'Union européenne.

La présente garantie n'a aucune incidence sur les droits légaux réglementaires qui vous sont octroyés par les lois sur la consommation en vigueur dans votre pays de résidence.

Pour demander un service sous garantie, prenez contact avec Char-Broil à l'adresse [info-eu@charbroil.com](mailto:info-eu@charbroil.com).

# Gewährleistungserklärung

Char-Broil Europe GmbH, Paul-Dessau-Straße 8 Quartier O – 4.OG D-22761 Hamburg (Char-Broil) gewährleistet gegenüber dem KÄUFER dieses Char-Broil-Produktes, dass es ab dem Verkaufsdatum frei von Materials-und Verarbeitungsfehlern sein wird, wie im Folgenden dargestellt:

	<b>Gasgrills</b>
<b>Brenner</b>	5 Jahre
<b>Kochplatten/Emitter</b>	2 Jahre
<b>All anderen Teile (EURO-Minimum)</b>	2 Jahre
<b>Tablett für Holzkohle</b>	2 Jahre

Char-Broil oder der Händler des Produkts werden eventuell angemessenen Nachweis Ihres Kaufsdatums verlangen. DESHALB SOLLTEN SIE IHREN KAUFBELEG ODER IHRE RECHNUNG AUFBEWAHREN.

Diese Gewährleistung umfasst das Nachbesserungsrecht oder Ersetzungsrecht des Produktes oder der Teile des Produktes, die sich bei normalem Gebrauch und Anwendung als mangelhaft erweisen. Vor der Rücksendung jedweder Teile sollten Sie sich unverzüglich mit Char-Broil unter Nutzung der Kontaktinformationen auf unserer Website in Verbindung setzen. Im Falle eines Herstellungsfehlers wird Char-Broil das Produkt oder die entsprechenden Teile ohne Berechnung entweder ersetzen oder nachbessern. Char-Broil wird das Produkt oder die Ersatzteile für das Produkt an den Käufer zurücksenden, wobei Fracht oder Porto im Voraus bezahlt wird. Falls Char-Broil die Entscheidung trifft, das Produkt oder die entsprechenden Teile nachzubessern und die Reparatur fehlschlägt, sind Sie gemäß Ihrer rechtlichen Ansprüche dazu berechtigt, den Kaufspreis zu vermindern oder vom Vertrag zurückzutreten und eine Rückvergütung zu erhalten.

Die Gewährleistung erstreckt sich nicht auf Versagen oder Bedienungsschwierigkeiten infolge von Unfällen, Missbrauch, Fehlanwendung, Abänderung, falscher Verwendung, mutwilliger Beschädigung, unsachgemäßer Installation oder unsachgemäßer Instandhaltung oder Betrieb, oder Unterlassen normaler und routinemäßiger Instandhaltung, einschließlich, aber nicht beschränkt auf, durch Insekten im Inneren der Brennrohre verursachte Schäden, wie in dieser Bedienungsanleitung dargelegt. Ausnahmen können vorkommen, darum bitten wir Sie, Char-Broil oder Ihren Händler zu kontaktieren, falls Sie irgendwelche Fragen darüber haben, ob diese Gewährleistung auf Ihren speziellen Fall zutrifft oder nicht.

Zerfall oder Schaden, die durch extreme Witterungsbedingungen wie Hagel, Orkane, Erdbeben oder Tornados, Verfärbung durch Exposition gegenüber chemischen Stoffen, entweder direkt oder atmosphärisch bedingt, verursacht werden, sind durch diese Gewährleistung nicht gedeckt und sind normalerweise nicht durch zutreffende rechtliche Ansprüche gedeckt.

Char-Broil übernimmt keine Verantwortung für irgendwelche unvorhergesehenen Verluste (z. B. Verlust oder Schaden, die weder Sie noch Char-Broil noch der Händler zum Zeitpunkt des Kaufs voraussahen), oder irgendeinen von Ihnen verursachten Schaden, mit Ausnahme der Tatsache, dass die Haftung von Char-Broil für Betrug oder durch ihre Nachlässigkeit verursachten Todesfall oder Verletzungen nicht beschränkt ist.

Char-Broil erteilt keiner anderen Person oder Firma die Vollmacht, für sie irgendwelche anderen Verpflichtungen oder Haftungen im Zusammenhang mit dem Verkauf, der Installation, des Gebrauchs, der Entfernung, Rücksendung, oder des Ersetzens ihrer Geräte zu übernehmen, und keine diesbezüglichen Erklärungen sind für Char-Broil verbindlich.

Diese Gewährleistung hat nur auf im Einzelhandel an Privatpersonen (im Gegensatz zu Unternehmen) innerhalb der Europäischen Union verkaufte Produkte Anwendung.

Diese Gewährleistung berührt keine Ihrer rechtlichen Ansprüche unter den in Ihrem Wohnsitzland geltenden Verbraucherrechten.

Zur Inanspruchnahme von Garantieleistungen kontaktieren Sie Char-Broil unter [info-eu@charbroil.com](mailto:info-eu@charbroil.com).



## Bozza di dichiarazione di garanzia per Char-Broil

Char-Broil Europe GmbH, Paul-Dessau-Straße 8 Quartier O – 4.OG D-22761 Hamburg (Char-Broil) garantisce all'ACQUIRENTE di questo prodotto Char-Broil che lo stesso sarà privo di difetti, per quanto riguarda materiali e lavorazione, per i seguenti periodi a partire dalla data di acquisto:

	<b>Grill a gas</b>
<b>Fornelli</b>	5 anni
<b>Griglie di cottura/emettitori</b>	2 anni
<b>Tutte le altre parti (minimo per l'Europa)</b>	2 anni
<b>Vassoio per carbone</b>	2 anni

Char-Broil e il venditore del prodotto potranno richiedere una prova certa della data di acquisto. **VI PREGHIAMO PERTANTO DI CONSERVARE LO SCONTRINO O LA FATTURA.**

Questa Garanzia comprende il diritto alla riparazione o sostituzione del prodotto o delle parti dello stesso che presentano difetti alle normali condizioni d'uso e manutenzione. Prima di restituire qualsiasi parte, vi preghiamo di contattare quanto prima Char-Broil ai numeri e indirizzi riportati nel nostro sito web. In caso di difetto, Char-Broil deciderà se sostituire o riparare gratuitamente il prodotto o le parti in questione. Char-Broil restituirà il prodotto o le parti dello stesso all'acquirente, spese di spedizione o affrancatura prepagate. Qualora Char-Broil scelga di riparare il prodotto o le parti difettose dello stesso e la riparazione non dia il risultato previsto, avrete il diritto, in virtù dei diritti legali previsti per legge, di ottenere una riduzione del prezzo d'acquisto o di recedere dal contratto e ottenere il rimborso.

Questa Garanzia non copre guasti o problemi di funzionamento determinati da incidenti, uso improprio, errato o scorretto, modifiche, atti di vandalismo, installazione scorretta, manutenzione o assistenza errata o mancata esecuzione delle operazioni di manutenzione normali e di routine, inclusi, senza carattere limitativo, i danni causati da insetti all'interno dei tubi dei fornelli, come descritto in questo manuale d'istruzioni. Tuttavia possono esservi delle eccezioni. Vi preghiamo pertanto di contattare Char-Broil o il venditore per sapere se la Garanzia è applicabile o meno al vostro caso particolare.

Deterioramenti o danni causati da condizioni meteorologiche avverse, quali grandine, uragani, terremoti o trombe d'aria, e lo scolorimento dovuto all'esposizione a sostanze chimiche, per contatto diretto o presenza nell'atmosfera, non sono coperti da questa Garanzia e non sono normalmente coperti dai diritti legali previsti per legge.

Char-Broil non è responsabile per perdite non prevedibili (cioè perdite o danni non contemplati da voi, da Char-Broil o dal venditore al momento dell'acquisto) o per danni causati da voi, fermo restando che la responsabilità di Char-Broil in caso di frode, morte o lesioni personali causate da negligenza da parte sua è illimitata.

Char-Broil non autorizza persone o società ad assumere ulteriori obblighi o responsabilità in suo nome, in relazione alla vendita, installazione, utilizzo, rimozione, restituzione, o sostituzione dell'apparecchio; qualsiasi dichiarazione in tal senso non è vincolante per Char-Broil.

Questa garanzia è valida solo per i prodotti venduti al dettaglio a privati (non a imprese) all'interno dell'Unione europea.

Questa Garanzia non pregiudica i diritti legali previsti dai codici del consumo vigenti nel vostro paese di residenza.

Per l'assistenza in garanzia, contattate Char-Broil all'indirizzo [info-ue@charbroil.com](mailto:info-ue@charbroil.com).

# Concept van garantiebeleid voor Char-Broil

Char-Broil Europe GmbH, Paul-Dessau-Straße 8 Quartier O – 4.OG D-22761 Hamburg (Char-Broil) garandeert aan de KOPER van dit Char-Broil- product dat het geen materiaal- en productiefouten zal bevatten vanaf de aankoopdatum tot:

	Grill op gas
<b>Branders</b>	5 jaar
<b>Bakroosters/stralers</b>	2 jaar
<b>Alle overige onderdelen (minimum voor Europa)</b>	2 jaar
<b>Lade voor houtskool</b>	2 jaar

Het is mogelijk dat Char-Broil of de verkoper van het product een redelijk bewijs vraagt van de aankoopdatum. **BEWAAR DAAROM UW AANKOOPBEWIJS OF FACTUUR.**

Deze garantie omvat het recht op reparatie of vervanging van het product of de onderdelen van het product die defect blijken te zijn bij gewoon gebruik en onderhoud. Voordat u onderdelen retourneert, moet u zo snel mogelijk contact opnemen met Char-Broil via de contactinformatie op onze website. In het geval van een defect zal Char-Broil bepalen of het product gratis zal worden vervangen of de onderdelen gratis zullen worden gerepareerd. Char-Broil zal het product of de onderdelen van het product aan de koper terugzenden zonder vracht- of portkosten. Indien Char-Broil ervoor kiest om het product of de defecte onderdelen van het product te repareren en het product nog steeds defect is na de reparatie, dan hebt u wettelijk recht op een korting op de aankoopprijs of om het contract te verbreken en restitutie te ontvangen.

Deze garantie dekt geen defecten of problemen bij de werking ten gevolge van een ongeval, misbruik, incorrect gebruik, aanpassing, onjuiste toepassing, vandalisme, slechte installatie of slecht onderhoud of nazicht of wegens het niet-uitvoeren van gewoon en routinematig onderhoud, inclusief, zonder beperking, schade veroorzaakt door insecten in de buizen van de brander, zoals beschreven in de handleiding. Uitzonderingen kunnen van toepassing zijn. Neem daarom contact op met Char-Broil of uw verkoper voor vragen of deze garantie al dan niet op een specifiek geval van toepassing is.

Aantasting of schade wegens barre weersomstandigheden, zoals hagel, orkanen, aardbevingen of tornado's, en verkleuring door blootstelling aan chemische stoffen, direct of in de atmosfeer, vallen niet onder deze garantie en zijn doorgaans ook niet gedekt door uw wettelijke rechten.

Char-Broil is niet aansprakelijk voor niet te voorzien verlies (verlies dat of schade die u noch Char-Broil of de verkoper had voorzien bij de aankoop) of voor schade die u hebt veroorzaakt, behalve dat de aansprakelijkheid van Char-Broil voor fraude of overlijden of letsel door nalatigheid van Char-Broil niet beperkt is.

Char-Broil verbiedt personen of bedrijven om verplichtingen of aansprakelijkheid te aanvaarden voor Char-Broil gerelateerd aan de verkoop, de installatie, het gebruik, de verwijdering, het retourneren of vervangen van dit apparaat. Dergelijke verklaringen binden Char- Broil niet.

Deze garantie is uitsluitend van toepassing op producten verkocht in de detailhandel aan personen (niet aan bedrijven) binnen de Europese Unie.

Deze garantie verandert niets aan uw wettelijke rechten krachtens de toepasselijke consumentenwetten van het land waar u woont.

Voor service onder de garantie neemt u contact op met Char-Broil op [info-eu@charbroil.com](mailto:info-eu@charbroil.com).

# Utkast av garantibeskrivning för Char-Broil

Char-Broil Europe GmbH, Paul-Dessau-Straße 8 Quartier O – 4.OG D-22761 Hamburg (Char-Broil) garanterar KÖPAREN av denna produkt från Char-Broil att den kommer vara fri från brister i material och utförande från inköpsdatumet på följande sätt:

	Gasgrillar
Brännare	5 år
Grillgaller	2 år
Alla övriga delar (EURO-minimum)	2 år
Trekullskuffe	2 år

Char-Broil eller säljaren av denna produkt kan kräva ett giltigt bevis av ditt inköpsdatum. **DÄRFÖR SKA DU SPARA DITT KVITTO ELLER FAKTURA.**

Denna garanti omfattar rätten att reparera eller byta ut produkten eller delar av produkten som visar sig vara defekta vid normal användning och service. Innan du returnerar delar ska du omedelbart kontakta Char-Broil med hjälp av kontaktinformationen på vår webbplats. I händelse av en defekt produkt avgör Char-Broil om produkten ska ersättas eller repareras, kostnadsfritt. Char-Broil returnerar produkten eller delarna av produkten till köparen med förbetald frakt eller porto. Om Char-Broil väljer att reparera produkten, eller defekta delar av produkten, och denna reparation misslyckas har du rätt, i enlighet med dina lagstadgade rättigheter, att minska inköpspriset eller upphäva avtalet och erhålla en återbetalning.

Denna garanti täcker inte fel eller besvär under användning som har uppkommit på grund av en olyckshändelse, missbruk, felanvändning, ändring, felaktig användning, vandalism, felaktig installation eller felaktigt underhåll eller skötsel, eller underlåtenhet att utföra standard- och rutinunderhåll, inklusive men inte begränsat till skador orsakade av insekter i brännrören, enligt beskrivningen i denna bruksanvisning. Undantag kan gälla, var god kontakta Char-Broil eller din säljare om du har några frågor om huruvida denna garanti gäller för ditt specifika fall eller ej.

Förfall eller skador som uppkommit på grund av allvarliga väderhållanden som hagel, orkaner, jordbävningar eller tromber, missfärgning på grund av exponering av kemikalier, antingen direkt eller i atmosfären, omfattas inte av denna garanti och är normalt inte omfattad av dina lagstadgade juridiska rättigheter.

Char-Broil är inte ansvarig för eventuella oförutsedda förluster (dvs. förluster eller skador som varken du, Char-Broil eller säljaren beskådat vid inköpstillfället), eller skador som orsakats av dig, förutom Char-Broils ansvar för bedrägeri, dödsfall eller personskada orsakad av vårdslöshet.

Char-Broil tillåter inte någon person eller företag att påta sig någon skyldighet eller ansvar i samband med försäljning, installation, användning, borttagning, returnering eller byte av utrustning, och inga sådana framställningar är bindande för Char-Broil.

Denna garanti gäller endast produkter som säljs i detaljhandeln till privatpersoner (i motsats till företag) inom den Europeiska unionen.

Denna garanti påverkar inte dina lagstadgade juridiska rättigheter enligt de gällande konsumentlagarna i ditt hemland.

För garantiservice, kontakta Char-Broil på [info-eu@charbroil.com](mailto:info-eu@charbroil.com).

# Char-Broilin takuuehdotusluonnos

Char-Broil Europe GmbH, Paul-Dessau-Straße 8 Quartier O – 4.OG D-22761 Hamburg (Char-Broil) takaa tämän Char-Broil-tuotteen OSTAJALLE, että siinä ei ole materiaali- ja valmistusvikoja ostopäivästä alkaen seuraavasti:

	<b>Kaasugrillit</b>
<b>Polttimet</b>	5 vuotta
<b>Keittolevyt / emitterit</b>	2 vuotta
<b>Kaikki muut osat (EURO minimi)</b>	2 vuotta
<b>Puuhiili</b>	2 vuotta

Char-Broil tai tuotteen myyjä voi vaatia kohtuullista todistusta ostopäivästäsi. **SIKSI SINUN TULEE SÄILYTTÄÄ OSTOKUITTISI TAI LASKUSI.**

Tämä takuu sisältää oikeuden korjata tai vaihtaa tuotteen tai tuotteen osien, jotka osoittautuvat vialliseksi tavanomaisessa käytössä ja huollossa. Ennen minkään osan palauttamista sinun tulee välittömästi ottaa yhteyttä Char-Broiliin verkkosivustossamme oleviin yhteystietoihin. Vianmäärityksen yhteydessä Char-Broil valitsee tuotteen korvaamisen tai korjauksen ilmaiseksi. Char-Broil palauttaa tuotteen tai tuotteen osan ostajalle, rahti tai postimaksut maksettuina. Jos Char-Broil päättää korjata tuotteen tai tuotteen virheelliset osat ja tämä korjaus epäonnistuu, sinulla on lakisääteisten laillisten oikeuksiesi mukaisesti oikeus alentaa ostohintaa tai peruuttaa sopimus ja saada palautusta.

Tämä takuu ei kata onnettomuuksia, väärinkäytöksiä, tehtyjä muutoksia, virheellisiä käyttötapoja, vandalismia, vääränlaista asennusta tai huollosta taikka huollon aiheuttamia toimintahäiriöitä tai muita toimintahäiriöitä tai tavanomaisen ja rutiininomaisen huollon suorittamatta jättämistä, mukaan lukien, mutta ei rajoittuen, hyönteisten aiheuttamiin vahinkoihin polttimen putkien sisällä, kuten on esitetty tässä omistajan käsikirjassa. Poikkeuksia saattaa olla, joten ota yhteyttä Char-Broiliin tai myyjääsi, jos sinulla on kysyttävää, koskeeko tämä takuu erityisesti teidän tapaukseenne vai ei.

Tämä takuu ei koske vaikeita sääolosuhteita, kuten rakeita, hurrikaaneja, maanjäristyksiä tai tornadoja, jotka johtuvat suoraan tai ilmakehään joutuneille kemikaaleille altistumisesta. Ne eivät yleensä kuulu lakisääteisten oikeuksien piiriin.

Char-Broil ei ole vastuussa mistään ennalta arvaamattomista menetyksistä (tappioista tai vahingoista, jotka sinulle tai Char-Broilille tai myyjälle eivät ole ostohetkellä ajankohtaisia) tai vahingosta, jonka olet aiheuttanut, lukuun ottamatta Char-Broilin vastuuta petoksesta tai laiminlyönnistä aiheutunutta kuolemantapausta tai henkilövahinkoa, joita ei ole rajoitettu.

Char-Broil ei salli kenenkään henkilön tai yrityksen olla vastuussa mistään muista velvoitteista, jotka liittyvät laitteiden myyntiin, asennukseen, käyttöön, poistamiseen, palauttamiseen tai korvaamiseen. Eivätkä tällaiset edustukset sido Char-Broilia.

Tämä takuu koskee vain tuotteita, jotka myydään yksityishenkilöille (toisin kuin yrityksille) Euroopan unionin alueella.

Tämä takuu ei vaikuta lakisääteisiin oikeuksiisi maassasi sovellettavien kuluttajansuojalainsäädäntöjen mukaisesti.

Takuuhuoltoon liittyen, ota yhteyttä Char-Broiliin [info-eu@charbroil.com](mailto:info-eu@charbroil.com).

# Declaración de garantía premilinar de Char-Broil

Char-Broil Europe GmbH, Paul-Dessau-Straße 8 Quartier O – 4.OG D-22761 Hamburg (Char-Broil) garantiza al comprador de este producto de Char-Broil que estará libre de defectos en material y mano de obra a partir de la fecha de compra como sigue:

	Parrillas a gas
Quemadores	5 años
Rejilla de cocción/emisores	2 años
Todas las otras piezas (mínimas para EUROPA)	2 años
Bandeja de carbón	2 años

Char-Broil o el vendedor del producto podría requerir de una prueba razonable de LA FECHA DE COMPRA. **POR LO TANTO, USTED DEBE GUARDAR EL RECIBO DE VENTA O FACTURA.**

La presente Garantía incluye el derecho de reparación o reemplazo del producto o piezas del producto que resultasen defectuosas bajo un uso y servicio normales. Antes de devolver las piezas, debe comunicarse inmediatamente con Char-Broil utilizando la información de contacto en nuestro sitio web. En caso de defecto, Char-Broil elegirá reemplazar o reparar el producto o dichas piezas sin costo alguno. Char-Broil devolverá el producto o piezas del producto al comprador, bajo la modalidad de flete o porte prepagado. Si elige que Char-Broil repare el producto o esas piezas defectuosas del producto y esa reparación no es adecuada, usted tiene derecho, en virtud de sus derechos estatutarios, a reducir el precio de compra o a rescindir el contrato y recibir un reembolso.

Esta Garantía no cubre fallas o dificultades de funcionamiento por accidente, abuso, mal uso, alteración, aplicación indebida, vandalismo, instalación inadecuada, mantenimiento o reparación indebido, o realización del mantenimiento normal y de rutina, lo que incluye pero no se limita a daños causados por insectos dentro de los tubos del quemador, como se establece en este manual del propietario. Algunas excepciones podrían aplicar, póngase en contacto con Char-Broil o con el vendedor en caso de tener dudas sobre si esta garantía se aplica a su caso específico o no.

El deterioro o daños debido a condiciones climáticas extremas tales como granizo, huracanes, terremotos o tornados, la decoloración debido a la exposición a productos químicos ya sea directamente o en la atmósfera, no están cubiertos por esta Garantía y normalmente no están cubiertos por sus derechos estatutarios.

Char-Broil no es responsable por ninguna pérdida imprevisible (es decir, pérdida o daño que ni usted ni Char-Broil o el vendedor pudiese haber contemplado en el momento de la compra), o cualquier daño causado por usted, salvo la responsabilidad de Char-Broil por fraude, muerte o daños personales causados por su negligencia.

Char-Broil no autoriza a ninguna persona o empresa a asumir cualquier otra obligación o responsabilidad con respecto a la venta, instalación, uso, retiro, devolución o reemplazo de sus equipos; y ninguna de esas declaraciones son vinculantes para Char-Broil.

Esta Garantía sólo se aplica a productos vendidos al por menor a particulares (y no a empresas) dentro de la Unión Europea.

Esta garantía no afecta ninguno de sus derechos estatutarios bajo las leyes del consumidor aplicables de su país residente.

Para el servicio de garantía, póngase en contacto con Char-Broil en [info-eu@charbroil.com](mailto:info-eu@charbroil.com).

# Proposta de Declaração de Garantia para a Char-Broil

Char-Broil Europe GmbH, Paul-Dessau-Straße 8 Quartier O – 4.OG D-22761 Hamburg (Char-Broil) garante ao COMPRADOR deste produto Char-Broil, que ele está isento de defeitos em termos de material e fabrico a partir da data de aquisição como segue:

	Grelhadores a Gás
Bicos	5 anos
Grelhas/Emissores de cozedura	2 anos
Todas as outras peças (mínimo EURO)	2 anos
Bandeja De Carvão Vegetal	2 anos

A Char-Broil ou o vendedor do produto pode solicitar prova razoável da sua data de aquisição. **PORTANTO, DEVE GUARDAR O SEU RECIBO OU FATURA DE VENDA.**

Esta Garantia inclui o direito a reparação ou substituição do produto ou peças do produto que se revelem defeituosas sob utilização e serviço normal. Antes de devolver quaisquer peças, deve contactar imediatamente a Char-Broil através das informações de contacto no nosso website. Em caso de defeito, a Char-Broil decidirá substituir ou reparar o produto ou as referidas peças a título gratuito. A Char-Broil devolverá o produto ou as peças do produto ao comprador, através de frete pré-pago ou porte pré-pago. Se a Char-Broil decidir reparar o produto ou as referidas peças defeituosas do produto e se esta reparação falhar, tem direito, de acordo com os seus direitos estatutários legais, a reduzir o preço de aquisição ou a desistir do contrato e a receber um reembolso.

Esta Garantia não cobre quaisquer falhas ou dificuldades de funcionamento devido a acidente, abuso, utilização indevida, alteração, aplicação incorreta, vandalismo, instalação imprópria ou manutenção ou serviço inadequados, ou incapacidade de executar uma manutenção normal e de rotina que incluam, mas se não restrinjam, a danos provocados por insetos dentro dos tubos do bico, conforme determinado neste manual do utilizador. Podem aplicar-se exceções, portanto contacte a Char-Broil ou o seu vendedor caso tenha perguntas ou se esta Garantia se aplicar ou não ao seu caso específico.

Degradação ou danos em virtude de condições atmosféricas adversas, como granizo, furacões, sismos ou tornados, a descoloração resultante da exposição a químicos, diretamente ou na atmosfera, não estão cobertos por esta Garantia e não estão geralmente cobertos pelos seus direitos estatutários legais.

A Char-Broil não é responsável por quaisquer perdas imprevisíveis (i.e. perda ou dano não contemplado por si, pela Char-Broil ou pelo vendedor na altura da aquisição), ou qualquer dano provocado por si, salvo a responsabilidade não limitada da Char-Broil por fraude ou morte ou lesão pessoal decorrente de negligência.

A Char-Broil não autoriza qualquer pessoa ou empresa a assumir por isso qualquer obrigação ou responsabilidade relacionada com a venda, instalação, utilização, remoção ou substituição do seu equipamento e tais representações não vinculam a Char-Broil.

Esta Garantia aplica-se apenas a produtos vendidos a retalho a indivíduos (em oposição às empresas) dentro da União Europeia.

Esta Garantia não afeta qualquer dos seus direitos estatutários legais ao abrigo das leis do consumidor, aplicáveis no seu país de residência.

Para serviço de garantia, contacte a Char-Broil em [info-eu@charbroil.com](mailto:info-eu@charbroil.com).

# Garantierklæring

Char-Broil Europe GmbH, Paul-Dessau-Straße 8 Quartier O – 4.OG D-22761 Hamburg (Char-Broil) garanterer køberen af dette Char-Broil produkt er uden materielle eller fabriktionsfejl som anvist:

	<b>Gas Grills</b>
<b>BRÆNDERE</b>	<b>5 ÅR</b>
<b>GRILLRISTE / SENDERE</b>	<b>2 ÅR</b>
<b>ALLE ANDRE DELE (EURO MINIMUM)</b>	<b>2 ÅR</b>
<b>Trækul Bakke</b>	<b>2 ÅR</b>

Både Char-Broil og sælger af produktet kan opkræve et rimeligt bevis for købsdatoen. **DERFOR SKAL DU BEHOLDE DIN KVITTERING ELLER FAKTURA.**

Garantien omfatter retten til reparation eller udskiftning af produktet eller dele af produktet, som kan bevises at være defekt ved normal brug og service. Før du returnere delene, skal du straks kontakte Char-Broil. Du finder kontaktoplysningerne på vores hjemmeside. I tilfælde af fejl, vil Char-Broil erstatte eller reparere produktet eller delene uden beregning. Char-Broil vil returnere produktet eller dele af produktet til køberen, efter forudbetalt fragt eller porto. Hvis Char-Broil vælger at reparere produktet eller de defekte dele af produktet og denne reparation mislykkes, har du ret til, i henhold til dine lovbestemte juridiske rettigheder, at reducere købsprisen eller at fortryde aftalen og blive refunderet.

Denne garanti dækker ikke svigt eller driftsvanskeligheder på grund af uheld, misbrug, ændring, fejlagtig anvendelse, vandalisme, forkert installation eller vedligeholdelse eller service, eller manglende evne til at opfylde normal og rutinemæssig vedligeholdelse, herunder men ikke begrænset til skader forårsaget af insekter i brænderør, som angivet i denne ejers brugervejledning. Ved undtagelser, venligst kontakt Char-Broil eller din sælger, hvis du har spørgsmål om, hvorvidt denne garanti gælder for din konkrete sag eller ej.

Forringelse eller skader som følge af vanskelige vejrforhold såsom hagl, orkaner, jordskælv eller tornadoer, misfarvning som følge af udsættelse for kemikalier, enten direkte eller i atmosfæren, er ikke omfattet af denne garantiforsikring, og er normalt ikke dækket af dine lovmæssige rettigheder .

Char-Broil er ikke ansvarlig for eventuelle uforudsete tab (dvs. tab eller skader, som hverken du, Char-Broil eller sælger har overvejet på købstidspunktet), eller eventuelle skader du kan have forårsaget, med undtagelse af, at Char-Broils ansvar er ubegrænset over for bedrageri, dødsfald eller personskade forårsaget af uagtsomhed.

Char-Broil tillader ikke, at hverken en person eller virksomhed påtager sig nogen andre forpligtelser eller ansvar i forbindelse med salg, installation, brug, fjernelse, returnering eller udskiftning af sit udstyr; og sådanne repræsentationer er ikke bindende for Char-Broil.

Denne GARANTI er kun gældende for produkter, der sælges i detailhandlen til enkeltpersoner (i modsætning til virksomhederne) i den Europæiske Union.

Denne garanti påvirker ikke nogen af dine lovbestemte juridiske rettigheder i henhold til gældende forbrugerlovgivning i dit hjemland.

For garantiservice bør du kontakte Char-Broil på [info-eu@charbroil.com](mailto:info-eu@charbroil.com).

# Utkast til garantierklæring for Char-Broil

Char-Broil Europe GmbH, Paul-Dessau-Straße 8 Quartier O – 4.OG D-22761 Hamburg (Char-Broil) garanterer overfor KJØPEREN av dette Char-Broil-produktet at det skal være fritt for feil i materialer og utførelse fra følgende kjøpsdato:

	Gassgrillapparater
Brennere	5 år
Grillrister/emittere	2 år
Alle andre deler (EURO-minimum)	2 år
Trekullskuffe	2 år

Char-Broil eller selgeren av dette produktet kan kreve rimelige dokumentasjon på kjøpsdatoen. **DERFOR BØR DU TA VARE PÅ KVITTERINGEN ELLER FAKTUREN.**

Denne garantien omfatter rett til reparasjon eller erstatning av produktet eller deler av produktet dersom det viser seg å ha feil ved normalbruk og service. Før du returnerer deler, må du omgående kontakte Char-Boil ved hjelp av kontaktopplysningene på nettsidene våre. Dersom det påvises feil, vil Char-Broil velge å enten erstatte eller reparere produkter eller de mangelfulle delene, uten kostnad. . Char-Broil vil returnere produktet eller deler av produktet til kjøperen, med forhåndsbefalt frakt eller porto. Hvis Char-Broil velger å reparere produktet eller produktets defekte deler, og hvis slik reparasjon ikke lykkes, har du rett til, i henhold til dine juridiske rettigheter, å redusere kjøpesummen eller trekke deg fra kontrakten og få refundert beløpet.

Denne garantien dekker ikke feil eller driftsvansker som skyldes uhell, misbruk, feilbruk, endringsarbeid, hærverk eller feil montering, vedlikehold eller service, eller manglende utførelse av vanlig og rutinemessig vedlikehold, inkluderer, men ikke begrenset til, skade som skyldes insekter i brennerrørene, som forklart i denne brukerhåndboken. Det kan finnes unntak, kontakt derfor Char-Broil eller forhandleren dersom du ikke er sikker på om denne garantien gjelder i nettopp ditt tilfelle eller ikke.

Foringelse eller skade som skyldes vanskelige værforhold som f.eks. hagl, orkan, jordskjelv eller tornado, misfarging som skyldes kjemikalieeksponering, enten direkte eller i atmosfæren, dekkes ikke av denne garantien og dekkes vanligvis heller ikke av dine lovfestede rettigheter.

Char-Broil er ikke ansvarlig for eventuelle uforutsette tap (dvs. tap eller skade som verken du eller Char-Broil forutså på kjøpstidspunktet) eller for skade forårsaket av deg, fortsett fra at Char-Broils skadeansvar for svindel, død eller personskade som skyldes uaktsomhet fra Char-Broils side ikke er begrenset.

Char-Broil tillater ingen personer eller bedrifter å påta seg forpliktelser eller ansvar for selskapet i forbindelse med salg, montering, bruk, fjerning, retur eller utskifting av selskapets utstyr, og ingen slike fremføringer skal være bindende for Char-Broil.

Denne garantien gjelder kun for produkter som selges gjennom detaljhandel til enkeltpersoner (ikke til bedrifter) innenfor EU.

Denne garantien påvirker ingen av dine lovpålagte juridiske rettigheter under gjeldende forbrukerlover i ditt bostedsland.

For garantiservice kan du kontakte Char-Broil på [info-eu@charbroil.com](mailto:info-eu@charbroil.com).



# Záručného Vyhlásenia

Spoločnosť Char-Broil Europe GmbH, Paul-Dessau-Straße 8 Quartier O – 4.OG D-22761 Hamburg (Char-Broil) poskytuje NADOBÚDATEĽOVI dňom zakúpenia tohto výrobku značky Char-Broil nasledujúcu záruku, že nebude mať závady materiálu a spracovania nasledovne:

	Plynové grily
Horáky	5 rokov
Grilovacie mriežky/žiariče	2 roky
Všetky ostatné časti (EURO minimum)	2 roky
Zásobník na uhlie	2 roky

Spoločnosť Char-Broil alebo predajca tohto výrobku môže požadovať dôkaz o dátume jeho zakúpenia. **PRETO BY STE SI MALI ÚČTENKU ALEBO FAKTÚRU PONECHAŤ.**

Táto záruka zahŕňa nárok na opravu alebo výmenu výrobku alebo jeho častí, ktoré sa preukážu ako závadné pri normálnom používaní a činnosti výrobku. Pred vrátením ktorejkoľvek časti použite kontaktné informácie na našej internetovej stránke a urýchlene kontaktujte spoločnosť Char-Broil. V prípade závady spoločnosť Char-Broil podľa vlastnej úvahy bezplatne buď vymení alebo opraví výrobok alebo jeho časti. Spoločnosť Char-Broil vráti výrobok alebo jeho časti zákazníkovi a uhradí prepravu a poštovné. Ak sa spoločnosť Char-Broil rozhodne opraviť výrobok alebo jeho závadné časti a oprava nepomôže, budete mať na základe práv vyplývajúcich zo zákona nárok na zníženie kúpnej ceny alebo odstúpenie od zmluvy a preplatenie kúpnej ceny.

Táto záruka sa nevzťahuje na závady a poruchovú činnosť výrobku v dôsledku nehody, zlého zaobchádzania a nesprávneho používania výrobku, jeho pozmenenia, nesprávnej aplikácie, vandalizmu, nesprávnej montáže alebo neprimeranej údržby alebo servisu, alebo neposkytnutia normálnej alebo rutínnej údržby vrátane poškodenia spôsobeného hmyzom vo vnútri trúbok horáka a iného poškodenia ako sa uvádza v Návode na používanie. Môžu platiť určité výnimky, preto v prípade akýchkoľvek otázok v súvislosti s platnosťou tejto záruky vo vašom konkrétnom prípade sa obráťte na spoločnosť Char-Broil alebo vášho predajcu.

Schátranie alebo poškodenie v dôsledku extrémnych klimatických podmienok ako je krupobitie, hurikány, zemetrasenia alebo tornáda, vyblednutie v dôsledku vystavenia chemikáliám alebo či už priamo alebo v ovzduší, táto záruka nepokrýva a zvyčajne sa na ne nevzťahujú ani vaše práva vyplývajúce zo zákona.

Spoločnosť Char-Broil nie je zodpovedná za žiadne nepredvídateľné straty (t.j. stratu alebo poškodenie, ktoré ste vy, spoločnosť Char-Broil alebo predajca v čase kúpy nebrali do úvahy), ani za vami spôsobené poškodenie s výnimkou právnej zodpovednosti spoločnosti Char-Broil v prípade podvodu, smrti alebo úrazu osôb spôsobených jej nedbalosťou.

Spoločnosť Char-Broil neopravňuje žiadnu osobu alebo spoločnosť prevziať na seba v mene spoločnosti Char-Broil žiadne iné záväzky alebo zodpovednosť v súvislosti s predajom, montážou, používaním, demontážou, vrátením alebo výmenou jej zariadenia a uvedené zastupovanie nie je pre spoločnosť Char-Broil záväzné.

Táto záruka sa vzťahuje výlučne na výrobky predávané jednotlivcom v maloobchodnej sieti (na rozdiel od veľkoobchodu) v rámci Európskej únie.

Táto záruka nemá dopad na vaše práva vyplývajúce zo spotrebiteľských zákonov krajiny vášho pobytu.

Svoju žiadosť o servis v rámci záruky zašlite spoločnosti Char-Broil na emailovú adresu [info-eu@charbroil.com](mailto:info-eu@charbroil.com).

# Uppkast að ábyrgðaryfirlýsingu fyrir Char-Broil

Char-Broil Europe GmbH, Paul-Dessau-Straße 8 Quartier O – 4.OG D-22761 Hamburg (Char-Broil) ábyrgist að KAUPANDI þessarar Char-Broil vöru muni kaupa vöru sem er laus við galla í efni og vinnu frá dagsetningum kaupa á eftirfarandi máta:

	Gasgrill
<b>Brennarar</b>	5 ár
<b>Eldunargrindur, hitunarfletir</b>	2 ár
<b>Allir aðrir hlutar (lágmark í Evrópu)</b>	2 ár
<b>Kolarkál</b>	2 ár

Char-Broil eða söluaðili vörunnar kann að gera kröfu um sönnun á dagsetningum kaupa. **ÞVÍ ÆTTIR ÞÚ AÐ GEYMA SÖLUKVITTUN ÞÍNA EÐA -REIKNING.**

Þessi ábyrgð felur í sér rétt á viðgerð eða endurnýjun vörunnar eða hlutum vörunnar sem reynast gallaðir við hefðbundna notkun og þjónustu. Áður en skilað er hlutum skal hafa samband við Char-Broil með því að nota samskiptaupplýsingarnar sem finna má á vefsvæðinu okkar. Ef um galla er að ræða ákveður Char-Broil hvort skipt verði við eða gert við vöruna eða slíka hluta án endurgjalds. Char-Broil skilar vörunni eða hlutum vörunnar til kaupanda, flutnings- er fyrirfram greiddur. Ef Char-Broil ákveður að gera við vöruna eða slíka gallaða hluta vörunna og sú viðgerð virkar ekki átt þú rétt á, í samræmi við lögbundinn rétt þinn, að fá lækkað innkaupsverð þitt eða afturkalla samninginn og fá endurgreiðslu.

Þessi ábyrgð nær ekki yfir bilun eða notkunarvanda vegna slyss, misnotkunar, skemmdarverka, óviðeigandi uppsetningar eða óviðeigandi viðhalds eða þjónustu, eða ef hefðbundnu og venjubundnu viðhaldi er ekki sinnt, þar á meðal en ekki takmarkað við tjón sem orsakast af skordýrum inni í brennararörum, eins og lýst er í eigendahandbókinni. Undanþágur kunna að eiga við. Vinsamlegast hafðu samband við Char-Broil eða söluaðila þinn ef þú hefur einhverjar spurninga varðandi hvort þessi ábyrgð eigi við sértækt tilvik þitt eða ekki.

Slit eða tjón vegna alvarlegra veðurbrigða á borð við haglé, hvirfilbyli, jarðskjálfta eða fellibyli, upplitun vegna útsetningar fyrir efnum annaðhvort beint eða í andrúmsloftinu, fellur ekki undir þessa ábyrgð og er yfirleitt ekki hluti af þínum lögbundnu réttindum.

Char-Broil ber ekki ábyrgð á ófyrirsjáanlegu tjóni (t.d. Tjóni eða skemmdum sem hvorki þú né Char-Broil eða söluaðillinn sá fyrir við kaupin), eða tjón sem orsakað er af þér, að undanskildri ábyrgð Char-Broil hvað varðar svik eða líkamstjón sem orsakast af vanrækslu.

Char-Broil veitir engum aðila eða fyrirtæki leyfi til að taka á hendur skuldbindingar fyrir sig eða ábyrgð í tengslum við sölu, uppsetningu, notkun, brottnáð, skil eða endurnýjun búnaðar síns; og ekkert slíkt umboð er bindandi fyrir Char-Broil.

Þessi ábyrgð á aðeins við vörur sem sendar eru í smásölu til einstaklinga (ekki fyrirtækja) í Evrópusambandinu.

Þessi ábyrgð hefur engin áhrif á lögbundin réttindi þíns samkvæmt gildandi neytendalögum í búsetulandi þínu.

Frekari upplýsingar um ábyrgðina má nálgast með því að hafa samband við Char-Broil á netfangið [info-eu@charbroil.com](mailto:info-eu@charbroil.com).

# Záručního Listu

Char-Broil Europe GmbH, Paul-Dessau-Straße 8 Quartier O – 4.OG D-22761 Hamburg (Char-Broil) zaručuje kupujícímu tohoto produktu Char-Broil, že na něm nebudou závady, ani na materiálu ani provedení, od data koupě, následovně:

	Plynové Grily
Hořáky	5 roků
Rošty/sálače	2 roky
Všechny ostatní součástky (EURO minimum)	2 roky
Uhlíkový zásobník	2 roky

Char-Broil nebo prodejce produktu může požadovat důkaz s datem koupě. **PROTO, SI VŽDY SCHOVEJTE ÚČTENKU, POKLADNÍ LÍSTEK NEBO FAKTURU.**

Tato Záruka zahrnuje právo na opravu nebo náhradu výrobku nebo jeho součástí, které se ukážou jako závadné při normálním používání nebo údržbě. Před reklamací jakékoli součástky ihned kontaktujte Char-Broil podle údajů uvedených na naší webové stránce. Jde-li o závadu, Char-Broil rozhodne, zda produkt nebo dané součástky vymění nebo opraví zdarma. Char-Broil vrátí produkt nebo jeho součástky zákazníkovi a dopravní náklady nebo poštovné budou uhrazeny. Pakli se Char-Broil rozhodne produkt nebo dané závadné součástky opravit a tato oprava se nepodaří, máte v souladu se zákonem nárok na sníženou kupní cenu nebo právo ustoupit od kupní smlouvy a požadovat vrácení peněz.

Tato Záruka se nevztahuje na selhání nebo provozní potíže, které jsou následkem nehody, špatného používání či zacházení, pozměnění, nesprávného používání, vandalismu, nesprávné instalace, nesprávné údržby nebo servisu, nebo následkem neplnění normální a pravidelné údržby, zahrnující mimo jiné hmyzem způsobené škody na vnitřních trubičkách hořáků, jak je popsáno v této příručce pro uživatele. Mohou platit výjimky, proto kontaktujte Char-Broil nebo prodejce s dotazy, jestli tato Záruka platí ve vašem konkrétním případě nebo ne.

Zchátrání nebo poškození následkem drsného počasí jako např. kroupy, uragán, zemětřesení nebo tornáda, vyblednutí způsobené přímým vystavením chemikáliím nebo látkami obsaženými ve vzduchu, tato Záruka nekryje a neplatí zde běžná ochrana podle zákona.

Char-Broil nenese zodpovědnost za žádné nepředvídatelné ztráty (tj. ztráty nebo škody, o kterých jste vy ani Char-Broil ani prodejce neuvažovali v době koupě), ani za škody, které jste způsobil(a) vy, s výjimkou, že odpovědnost firmy Char-Broil za podvod, smrt nebo úraz, způsobené její nedbalostí není omezená.

Firma Char-Broil neopravňuje žádnou jinou osobu nebo společnost k tomu, aby za ni převzala jakoukoli jinou povinnost nebo zodpovědnost ve spojitosti s prodejem, s instalací, s odstraněním, s používáním, s reklamací, s vrácením nebo s výměnou svého vybavení, a žádná taková prohlášení nejsou pro Char-Broil závazná.

Tato Záruka se vztahuje pouze na výrobky prodané v maloobchodě jednotlivcům (nikoliv podnikům) v Evropské Unii.

Tato Záruka nijak neovlivňuje vaše zákonem daná práva v souladu s platnými zákony o ochraně spotřebitelů ve státě vašeho bydliště.

V případě potřeby zárukou daného servisu se obraťte na Char-Broil na [info-eu@charbroil.com](mailto:info-eu@charbroil.com).

## טיוטת תעודת אחריות עבור Char-Broil

Char-Broil Europe GmbH, Paul-Dessau-Straße 8 Quartier O – 4.OG D-22761 Hamburg (Char-Broil) אחראית כלפי הרוכש של מוצר זה מתוצרת Char-Broil שהמוצר חפשי מפגמים בחומרים ובטיב העבודה מיום הרכישה, כדלקמן:

גריל גז	
מבערים	5 שנים
סבכות בישול/ פולטים	2 שנים
כול החלקים האחרים (מינימום EURO)	שנתיים
מגש פחם	2 שנים

Char-Broil או מוכר המוצר עשוי לדרוש הוכחה סבירה של תאריך הרכישה. לכן כדאי לשמור את הקבלה או החשבונית.

אחריות זו כוללת את הזכות לתקן או להחליף את המוצר או חלקים ממנו שנמצאו פגומים לאחר שימוש ותחזוקה רגילים. לפני החזרת חלקים כלשהם יש ליצור קשר עם Char-Broil בעזרת פרטי הקשר שמופיעים באתר האינטרנט שלנו. בנקרה שיתגלה פגם, Char-Broil תבחר אם להחליף או לתקן את המוצר או החלק ללא תשלום. Char-Broil תחזיר את המוצר או את חלקי המוצר לרוכש, ותשלם את הוצאות המשלוח. אם Char-Broil תחליט לתקן את המוצר או את החלקים הפגומים של המוצר והתיקון נכשל, הזכות בידך, בהתאם לזכויותיך על פי חוק, להקטין את מחיר הרכישה או לסגת מההסכם החוזי ולקבל החזר כספי.

אחריות זו אינה מכסה כל כישלון או קשיי הפעלה שנובעים מתאונה, שימוש לא נאות, שימוש לא נכון, שינויים, שימוש למטרה שהמכשיר לא נועד לה, ונדליזם, התקנה לא נכונה או תחזוקה וטיפול לא נכונים, או במקרה שתחזוקה שגרתית ורגילה לא בוצעה, כולל, אך לא רק, נזקים שייגרמו כתוצאה מחרקים בתוך צינורות הבערה, כפי שמצוין בהוראות השימוש. יוצאים מן הכלל ייתכנו, לפיכך צרו קשר עם Char-Broil או עם המוכר אם ברצונכם לברר אם אחריות זו מכסה את הבעיה הספציפית שלכם או לא.

נזק או בלאי שייגרמו כתוצאה ממצבי מזג אוויר חמורים כגון ברד, סופת הוריקן, רעידות אדמה או טורנדו, שינוי צבע כתוצאה מחשיפה לכימיקלים – ישירות או כימיקלים באטמוספירה – אינם מכוסים על ידי אחריות זו, ובדרך כלל אינם מכוסים על פי זכויותיכם על פי חוק.

Char-Broil אינה אחראית לכול הפסד בלתי-צפוי (כגון הפסד או נזק שלא אתה/ה ולא Char-Broil או המוכר יכולתם לצפות בעת הרכישה), או כול נזק שנגרם על ידך, מלבד העובדה שאחריות Char-Broil למקרה תרמית או מוות או פגיעה שייגרמו כתוצאה מרשלנותה אינה מוגבלת.

Char-Broil אינה מאשרת לאף אדם או חברה לקחת על עצמו/ה כול מחויבות או אחריות בקשר עם מכירה, התקנה, שימוש, פינוי, החזרה, או החלפה של הציוד שלה; כול התחייבות מסוג זה אינה מחייבת את Char-Broil.

אחריות זו תקפה רק למוצרים שנמכרו בקמעונאות ליחידים (בניגוד לעסקים) בתחומי האיחוד האירופי.

אחריות זו אינה משפיעה על זכויותיך החוקיות על פי חוקי הצרכנות הרלבנטיים בארץ מגוריך.

לשירות על פי אחריות זו נא ליצור קשר עם Char-Broil באתר [info-eu@charbroil.com](mailto:info-eu@charbroil.com)

# Declarație privind garanția

Char-Broil Europe GmbH, Paul-Dessau-Straße 8 Quartier O – 4.OG D-22761 Hamburg (Char-Broil) garantează Cumpărătorului acestui produs Char-Broil că nu va avea defecte de material și de execuție de la data cumpărării după cum urmează:

	Grile de gaz
Arzatoare	5 ani
Gratare de gătit / emițătoare	2 ani
Toate celelalte piese (minimum EURO)	2 ani
Carbunelui	2 ani

Char-Broil sau vânzătorul produsului poate solicita o dovadă rezonabilă a datei de achiziție. **Prin urmare, trebuie să vă mențineți vânzările sau factura.**

Această garanție include dreptul de reparație sau înlocuire a produsului sau a părților produsului care se dovedesc a fi defecte în condiții normale de utilizare și de utilizare. Înainte de returnarea oricăror părți, trebuie să contactați prompt Char-Broil utilizând informațiile de contact de pe site-ul nostru. În cazul unui defect, Char-Broil va alege să înlocuiască sau să repare produsul sau aceste componente fără taxă. Char-Broil va returna produsul sau părțile produsului către cumpărător, transportul de mărfuri sau poștale plătite anticipat. Dacă Char-Broil alege să repare produsul sau astfel de părți defecte ale produsului și această reparație nu reușește, aveți dreptul, în conformitate cu drepturile legale de drept, să reduceți prețul de cumpărare sau să vă retrageți din contract și să primiți o rambursare.

Această garanție nu acoperă orice defecțiuni sau dificultăți de funcționare din cauza unui accident, a unui abuz, a unei utilizări incorecte, a unei modificări, a unei aplicări greșite, a vandalismului, a unei instalări necorespunzătoare sau a unei întrețineri necorespunzătoare sau a unei reparații sau a unei întreruperi normale și de rutină, în interiorul tuburilor arzătorului, așa cum se specifică în acest manual de utilizare. Pot fi aplicate excepții, așa că vă rugăm să contactați Char-Broil sau vânzătorul în cazul în care aveți întrebări cu privire la faptul dacă această Garanție se aplică în cazul dumneavoastră sau nu.

Deteriorarea sau deteriorarea datorată condițiilor meteorologice grave, cum ar fi grindina, uraganele, cutremurele sau tornadele, decolorarea datorată expunerii la substanțe chimice, fie direct, fie în atmosferă, nu este acoperită de această garanție și nu este în mod obișnuit acoperită de drepturile dvs. legale.

Char-Broil nu este răspunzătoare pentru niciun fel de pierderi neprevăzute (pierderi sau daune pe care nici dvs., nici Char-Broil sau vânzătorul nu le-ați avut în vedere la momentul cumpărării) sau orice prejudiciu cauzat de dvs., cu excepția responsabilității Char-Broil pentru fraudă sau moartea sau vătămarea corporală cauzată de neglijența sa nu este limitată.

Char-Broil nu autorizează nici o persoană sau companie să-și asume o altă obligație sau răspundere în legătură cu vânzarea, instalarea, utilizarea, scoaterea, returnarea sau înlocuirea echipamentului său; și nici o astfel de declarație nu este obligatorie pentru Char-Broil.

Această garanție se aplică numai produselor vândute la vânzare cu amănuntul persoanelor fizice (spre deosebire de întreprinderi) din cadrul Uniunii Europene.

Această Garanție nu afectează niciunul dintre drepturile dvs. legale în conformitate cu legile aplicabile privind protecția consumatorilor din țara dvs. rezidentă.

Pentru service în garanție, contactați-l pe Char-Broil [info-eu@charbroil.com](mailto:info-eu@charbroil.com).

# Δήλωση εγγύησης

Char-Broil Europe GmbH, Paul-Dessau-Straße 8 Quartier O – 4.OG D-22761 Hamburg (Char-Broil) εγγυάται στον αγοραστή αυτού του προϊόντος Char-Broil ότι θα είναι απαλλαγμένο από ελαττώματα υλικού και κατασκευής από την ημερομηνία αγοράς ως εξής:

	<b>Φούρνοι αερίου</b>
<b>Καυστήρες</b>	5 χρόνια
<b>Μαγειρικά σχάρες / πομποί</b>	2 χρόνια
<b>Όλα τα υπόλοιπα εξαρτήματα (ελάχιστο EURO)</b>	2 χρόνια
<b>Δίσκος κάρβουνο</b>	2 χρόνια

Η Char-Broil ή ο πωλητής του προϊόντος μπορεί να απαιτήσει εύλογη απόδειξη της ημερομηνίας αγοράς. **Επομένως, θα πρέπει να διατηρήσετε την παραλαβή των πωλήσεων σας ή το τιμολόγιο.**

Αυτή η εγγύηση περιλαμβάνει το δικαίωμα επισκευής ή αντικατάστασης του προϊόντος ή τμημάτων του προϊόντος που αποδεικνύονται ελαττωματικά κατά την κανονική χρήση και συντήρηση. Πριν επιστρέψετε τυχόν εξαρτήματα, θα πρέπει να επικοινωνήσετε αμέσως με την Char-Broil χρησιμοποιώντας τα στοιχεία επικοινωνίας στην ιστοσελίδα μας. Σε περίπτωση ελαττώματος, η Char-Broil θα επιλέξει να αντικαταστήσει ή να επισκευάσει το προϊόν ή τα ανταλλακτικά χωρίς χρέωση. Η Char-Broil θα επιστρέψει το προϊόν ή τα μέρη του προϊόντος στον προπληρωμένο αγοραστή, φορτίο ή ταχυδρομικά τέλη. Εάν η Char-Broil επιλέξει να επισκευάσει το προϊόν ή τα ελαττωματικά μέρη του προϊόντος και η αποτυχία αυτή επισκευαστεί, δικαιούστε, σύμφωνα με τα νομικά σας δικαιώματα, να μειώσετε την τιμή αγοράς ή να αποσύρετε από τη σύμβαση και να λάβετε επιστροφή χρημάτων.

Η παρούσα εγγύηση δεν καλύπτει τυχόν βλάβες ή δυσκολίες λειτουργίας λόγω ατυχήματος, κατάχρησης, κατάχρησης, τροποποίησης, κακής εφαρμογής, βανδαλισμού, ακατάλληλης εγκατάστασης ή ακατάλληλης συντήρησης ή συντήρησης ή αδυναμίας κανονικής και συνήθους συντήρησης, συμπεριλαμβανομένης, ενδεικτικά, ζημιών που προκαλούνται από έντομα εντός των σωλήνων καυστήρα, όπως ορίζεται στο εγχειρίδιο χρήσης του ιδιοκτήτη. Μπορεί να ισχύουν εξαιρέσεις, επομένως επικοινωνήστε με την Char-Broil ή τον πωλητή σας σε περίπτωση που έχετε ερωτήσεις σχετικά με το αν η παρούσα εγγύηση ισχύει για τη συγκεκριμένη περίπτωση σας ή όχι.

Επιβαρύνσεις ή ζημιές που οφείλονται σε σοβαρές καιρικές συνθήκες, όπως χαλάζι, τυφώνες, σεισμοί ή ανεμοστρόβιλοι, αποχρωματισμός λόγω έκθεσης σε χημικές ουσίες είτε απευθείας είτε στην ατμόσφαιρα, δεν καλύπτονται από την παρούσα εγγύηση και κανονικά δεν καλύπτονται από τα νομικά σας δικαιώματα.

Η Char-Broil δεν ευθύνεται για τυχόν απρόβλεπτες απώλειες (δηλ. Απώλεια ή ζημία που ούτε εσείς ούτε η Char-Broil ή ο πωλητής σχεδιάζετε κατά τη στιγμή της αγοράς) ή οποιαδήποτε ζημία προκλήθηκε από εσάς εκτός από την ευθύνη της Char-Broil για απάτη ή ο θάνατος ή η σωματική βλάβη που προκαλείται από την αμέλειά του δεν περιορίζεται.

Η Char-Broil δεν εξουσιοδοτεί οποιοδήποτε πρόσωπο ή εταιρεία να αναλάβει για λογαριασμό της οποιαδήποτε άλλη υποχρέωση ή ευθύνη σε σχέση με την πώληση, εγκατάσταση, χρήση, απομάκρυνση, επιστροφή ή αντικατάσταση του εξοπλισμού του. και καμία τέτοια παρατήρηση δεν δεσμεύει τη Char-Broil.

Η παρούσα εγγύηση ισχύει μόνο για προϊόντα που πωλούνται στο λιανικό εμπόριο σε ιδιώτες (σε αντίθεση με τις επιχειρήσεις) εντός της Ευρωπαϊκής Ένωσης.

Η παρούσα εγγύηση δεν επηρεάζει κανένα από τα νομικά σας δικαιώματα σύμφωνα με τους ισχύοντες νόμους περί προστασίας των καταναλωτών της χώρας διαμονής σας.

Για υπηρεσία εγγύησης, επικοινωνήστε με τον Char-Broil στο [info-eu@charbroil.com](mailto:info-eu@charbroil.com).

# Jótállási nyilatkozat

Char-Broil Europe GmbH, Paul-Dessau-Straße 8 Quartier O – 4.OG D-22761 Hamburg (Char-Broil) a Char-Broil termék PURCHASER-jét garantálja, hogy a vásárlás napjától az anyag és a gyártás hibáiból mentes, az alábbiak szerint:

	Gázcsovek
égők	5 évek
Főzőcsovek / emitterek	2 évek
Minden egyéb alkatrész (EURO minimum)	2 évek
Faszén tálca	2 évek

A Char-Broil vagy a termék eladója megkövetelheti a vásárlás dátumának ésszerű bizonyítékát. **Ezért az eladásaidat vagy a számláját el kell távolítani.**

Ez a jótállás magában foglalja a termék vagy a termék részei javításának vagy cseréjének jogait, amelyek rendeltetésszerű használata és szervizelése során hibásnak bizonyulnak. Mielőtt bármilyen részre visszatérne, azonnal kapcsolatba kell lépnie a Char-Broil céggel a weboldalunkon található elérhetőségi adatok segítségével. Hiány esetén a Char-Broil megválasztja a terméket vagy az ilyen alkatrészeket díjmentesen. A Char-Broil visszaadja a terméket vagy a termék részeit a vevőnek, az áruszállításnak vagy a postaköltségnek. Ha a Char-Broil úgy dönt, hogy javítja a terméket vagy a termék hibás alkatrészeit, és ez a javítás sikertelen, akkor a törvényes joga szerint Ön jogosult a vételár csökkentésére vagy a szerződéstől való visszavonásra és visszatérítés megszerzésére.

Ez a garancia nem terjed ki a balesetek, visszaélések, visszaélések, változtatások, helytelen alkalmazások, vandalizmus, helytelen beszerelés vagy helytelen karbantartás vagy szervizelés, illetve a normál és a szokásos karbantartás elmulasztása miatti hibák vagy működési nehézségek, beleértve, de nem kizárólag a rovarok által okozott károkat az égőcsöveken belül, az ebben a kezelési útmutatóban leírtak szerint. Kivételtől eltekinthet, ezért kérjük, forduljon a Char-Broil-hez vagy az eladójához, ha bármilyen kérdése van-e arra vonatkozóan, hogy ez a garancia vonatkozik-e az adott esetre, vagy sem.

A garancia nem vonatkozik a súlyos időjárási viszonyok - mint például a jégeső, a hurrikánok, a földrengések vagy a tornádók miatt bekövetkező romlásra, károsodásra, a közvetlenül vagy a légkörben lévő vegyi anyagoknak való kitettség miatt fellépő elszíneződésre, és ezeket rendszerint nem a törvényes jogaik fedezik.

A Char-Broil nem vállal felelősséget bármely olyan előre nem látható veszteségért (azaz veszteségért vagy kárért, amelyet sem Ön, sem a Char-Broil vagy az eladó a vásárláskor nem számolt), vagy az Ön által okozott károkért, kivéve a Char-Broil csalásért vagy felelősségéért a halál vagy a személyi sérülés okozta hanyagság nem korlátozott.

Char-Broil does not authorize any person or company to assume for it any other obligation or liability in connection with the sale, installation, use, removal, return, or replacement of its equipment; and no such representations are binding on Char-Broil.

Ez a garancia kizárólag az Európai Unió belüli magánszemélyeknek (a vállalkozásokkal ellentétben) értékesített termékekre vonatkozik.

Ez a garancia nem érinti a rezidens ország vonatkozó fogyasztóvédelmi jogszabályai szerinti törvényi jogait.

A jótállási szervizhez forduljon Char-Broil-hez [info-eu@charbroil.com](mailto:info-eu@charbroil.com).

# Гаранционна декларация

Char-Broil Europe GmbH, Paul-Dessau-Straße 8 Quartier O – 4.OG D-22761 Hamburg (Char-Broil) гарантира на купувача на този продукт Char-Broil, че няма да има дефекти в материала и изработката от датата на покупката, както следва:

	Газови решетки
горелки	5 години
Готварски решетки / емитери	2 години
Всички други части (минимум EURO)	2 години
Тръби за дървени въглища	2 години

Char-Broil или продавачът на продукта може да изиска разумно доказателство за датата на покупката.  
**Следователно, Вие трябва да запазите Вашия ПРОДАЖБА или фактура.**

Тази гаранция включва правото на ремонт или замяна на продукта или части от него, които се оказват дефектни при нормална употреба и сервиз. Преди да върнете всички части, трябва незабавно да се свържете с Char-Broil, като използвате информацията за контакт на нашия уебсайт. В случай на дефект, Char-Broil ще избере да замени или ремонтира продукта или тези части без такса. , Char-Broil ще върне продукта или частите от него на купувача, на навлото или на предплатените. Ако Char-Broil избере да поправи продукта или дефектните части на продукта и този ремонт е неуспешен, имате право съгласно Вашите законови законови права да намалите покупната цена или да се откажете от договора и да получите възстановяване.

Тази гаранция не покрива никакви повреди или експлоатационни трудности поради злоупотреба, злоупотреба, неправилно използване, промяна, неправилно прилагане, вандализъм, неправилна инсталация или неправилна поддръжка или сервиз или неизпълнение на нормална и рутинна поддръжка, включително, но не само, щети, причинени от насекоми в тръбите на горелката, както е посочено в това ръководство за експлоатация. Изключения може да са приложими, затова моля, свържете се с Char-Broil или продавача си в случай, че имате въпроси относно това дали тази гаранция важи за конкретния Ви случай или не.

Влошаването или вредите, дължащи се на тежки метеорологични условия като градушка, урагани, земетресения или торнадо, обезцветяване поради излагане на химикали директно или в атмосферата, не са обхванати от настоящата гаранция и обикновено не са обхванати от вашите законови права.

Char-Broil не носи отговорност за непредвидени загуби (т.е. загуби или щети, които нито вие, нито Char-Broil, или продавачът планирали по време на покупката), нито щетите, причинени от вас, с изключение на отговорността на Char-Broil за измама или смърт или телесна повреда, причинена от нейната небрежност, не е ограничена.

Char-Broil не упълномощава никое лице или компания да поеме за него друго задължение или отговорност във връзка с продажбата, инсталирането, използването, отстраняването, връщането или подмяната на оборудването си; и такова представяне не е задължително за Char-Broil.

Тази гаранция важи само за продукти, продавани на дребно на физически лица (за разлика от бизнеса) в рамките на Европейския съюз.

Тази гаранция не засяга никое от вашите законни права съгласно приложимото законодателство на потребителите на вашата местна държава.

За гаранционно обслужване, свържете се с Char-Broil в [info-eu@charbroil.com](mailto:info-eu@charbroil.com).









GB	NOTE: This information is a guide only. Items included in your BBQ specification may differ depending on region or specific dealer specification.	All specifications are subject to change without notice.
CH, FR	NOTE: Ces renseignements sont donnés à titre indicatif. Il est possible que les articles inclus dans les spécifications de votre barbecue diffèrent selon la région ou les caractéristiques stipulées par le concessionnaire.	Toutes les caractéristiques sont susceptibles d'être modifiées
LU, AT, CH, DE	ANMERKUNG: Diese Anleitung dient nur zu Informationszwecken. Einzelteile der Grillspezifikation sind unter Umständen verschieden entsprechend der Vertriebsregion oder bestimmten Händleranforderungen.	Änderungen ohne vorherige Bekanntgabe vorbehalten.
CH, IT	AVVERTENZA: Queste informazioni hanno il valore di guida soltanto. Gli articoli compresi nelle caratteristiche tecniche del barbecue potrebbero variare a seconda della regione o del concessionario.	Tutti i dati tecnici possono cambiare senza preavviso.
LU, BE, NL	ATTENTIE: Deze informatie is alleen bedoeld als gids. Onderdelen in uw BBQ specificatie en pakket kunnen per regio of per dealer verschillen.	Alle specificaties kunnen zonder voorafgaande kennisgeving worden gewijzigd.
SE	ANM.: Denna information är endast avsedd som handledning. Specifikationerna för grillen kan variera regionalt eller beroende på de krav som olika återförsäljare har.	Kaikki oikeudet teknisten tietojen muutoksiin pidätetään.
FI	HUOMATKAA: Nämä tiedot ovat pelkästään suuntaa antavia. ostamamme grillin yksityiskohdat voivat olla erilaiset paikkakunnan tai erityisten myykohtaisten yksityiskohtien mukaan.	Kaikki yksityiskohdat voivat muuttua ilman että niistä erikseen ilmoitetaan.
ES	NOTA: Esta información es una guía. Asimismo, es posible que las indicaciones incluidas en las especificaciones de su Asador sean diferentes según la región o las especificaciones específicas del representante.	Todas las especificaciones están sujetas a cambios sin previo aviso.
PT	NOTA: Esta informação é simplesmente um guia. Os itens incluídos na especificação do seu BBQ poderão diferir dependendo da especificação da região ou do vendedor específico.	Todas as especificações estão sujeitas a alteração sem aviso.
DK	NB.: Denne information er kun vejledende. Specifikationer kan variere efter Ånske fra forhandler, eller i henhold til nationale regler.	Alle specifikationer kan ændres foruden varsel.
NO	NB.: Denne informasjon er kun veiledende. Spesifikasjoner kan variere som stipulert av forhandler, eller i henhold til nasjonale krav.	Spesifikasjoner kan endres uten varsel.
SK	POZNÁMKA: Tieto informácie slúžia len ako pomôcka. Údaje uvedené v technických údajoch vášho grilu sa môžu líšiť podľa regiónu alebo špecifických technických údajov stanovených predajcom.	Všetky špecifikácie sa môžu zmeniť bez upozornenia.
IS	ATHUGIÁ: Áðessar upplýsingar eru aðeins leiðbeinandi. Hluti sem í-anna máj-á-íá'ssingur Áj grilli Á%Á-nu geta verið mismunandi Áj milli sváðá'a eÁ'a sÁjjuá'ila.	Allar lýsingar eru háðar breytingum án viðvörunar.
CZ	POZNÁMKA: Tyto informace slouží pouze jako instruktaž. Součástí vašeho BBQ. Specifikace se mohou lišit podle regionu/země nebo specifických údajů prodejce.	Všechny informace mohou být změněny bez předchozího upozornění.
IL	הערה: מידע זה נועד לייחוס בלבד. הפרטים הכלולים במפרט של מכשיר הגריל שברשותך עשויים להשתנות בהתאם לאזור או לדרישות של מפיץ מסוים.	כל המפרטים כפופים לשינויים ללא הודעה.
RO	NOTĂ: Această informație este doar un ghid. Elementele incluse în specificațiile dvs. pentru grătar pot diferi în funcție de regiune sau de specificațiile dealerului.	Toate specificațiile pot fi modificate fără notificare.
GR	ΣΗΜΕΙΩΣΗ: Αυτές οι πληροφορίες είναι μόνο ένας οδηγός. Τα στοιχεία που περιλαμβάνονται στις προδιαγραφές BBQ ενδέχεται να διαφέρουν ανάλογα με την περιοχή ή τις συγκεκριμένες προδιαγραφές του αντιπροσώπου.	Όλες οι προδιαγραφές υπόκεινται σε αλλαγές χωρίς προειδοποίηση.
HU	MEGJEGYZÉS: Ez az információ csak tájékoztató jellegű. A BBQ specifikációjában szereplő tételek a régiótól vagy a specifikus kereskedői specifikációtól függően eltérőek lehetnek.	Minden műszaki változtatás jogát fenntartjuk.
BG	ЗАБЕЛЕЖКА: Тази информация е само ръководство. Елементите, включени в спецификацията за барбекю, може да се различават в зависимост от региона или конкретните спецификации на дилъра.	Всички спецификации подлежат на промяна без предизвестие.